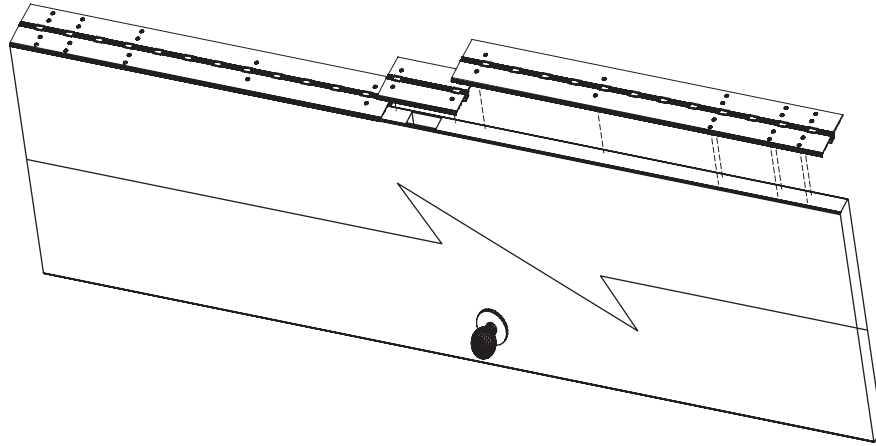
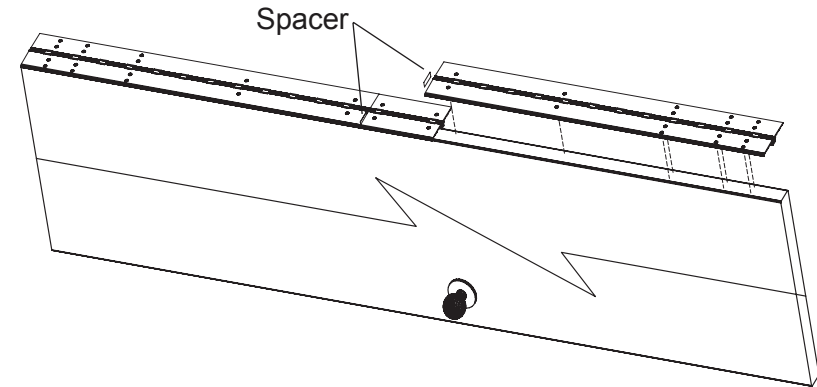


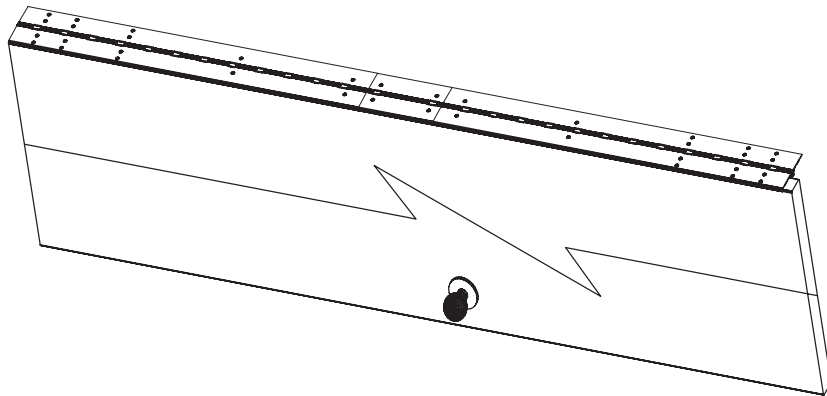
## SUPPLEMENTAL INSTRUCTIONS FOR SERVICEABLE / REMOVABLE ELECTRIC THRU-WIRE CONTINUOUS HINGE



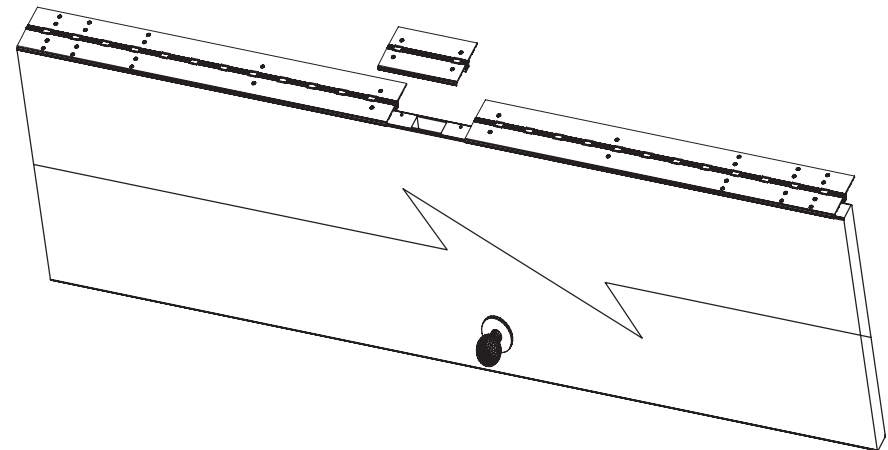
- A. Mark and Drill the top two holes on the frame, per general instructions step No. 1.
- B. Position the top section on the serviceable / removable hinge, per general installation instructions step No. 2 and attach per step No. 3.



- C. Prior to attaching the serviceable / removable section, make sure the cutout in the door and frame is large enough to allow sufficient clearance for the wire-harness and deburr any sharp edges.
- D. Install the 8" serviceable / removable section with 0.010" spacer (provided) between top & bottom hinge leaves, continue per the general installation instruction steps No. 2 and 3.



- E. Install the lower section of the serviceable / removable hinge per general installation instruction steps No. 2 and 3.



- F. Remove the 8" section of the serviceable / removable hinge from the door prior to installing the door on the frame. (This will help protect the wire-harness during installation)
- G. Install the 8" section after steps No. 4, 5, and 6 have been completed from the general installation instructions. Spacers do not need to be reused.