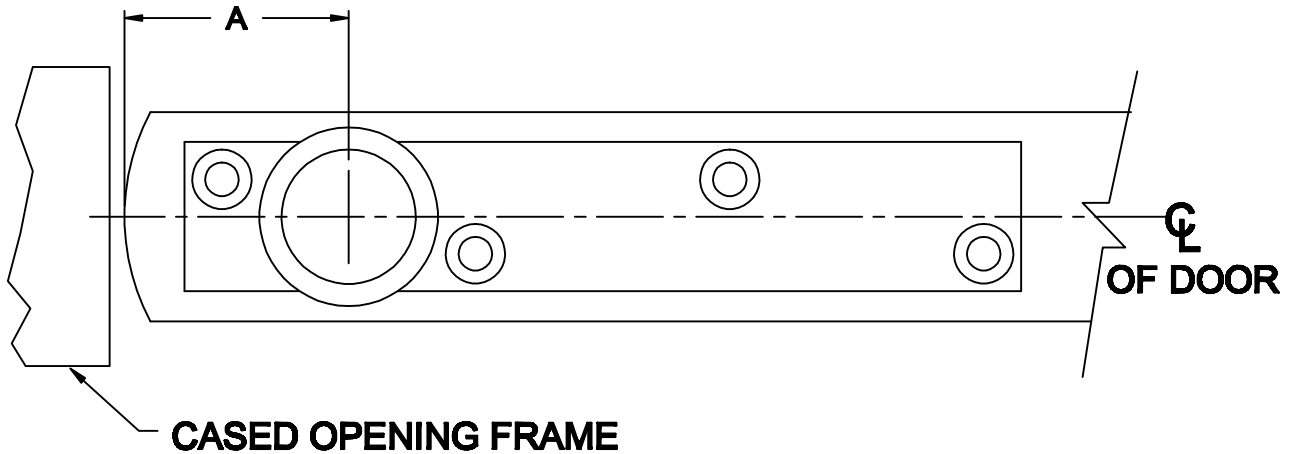


PIVOT DEFINITION CENTER HUNG



PIVOT POINT CENTERED IN THICKNESS OF THE DOOR

USED ON CASED OPENING FRAMES

ALL CENTER HUNG PIVOTS ARE DOUBLE ACTING UNLESS THE DOOR IS STOPPED BY A BRACKET MOUNTED TO THE DOOR FRAME

PIVOT POINT CAN BE MOVED CLOSER TO THE LOCK EDGE OF THE DOOR IF NECESSARY

DEPENDING ON THE WIDTH AND THE LOCATION OF THE FRAME, DOORS WITH STANDARD DIMENSIONS FROM EDGE OF DOOR TO PIVOT POINT (DIM A) CAN RARELY SWING MORE THAN 130 DEGREES.

CANNOT BE USED ON FIRE DOORS