

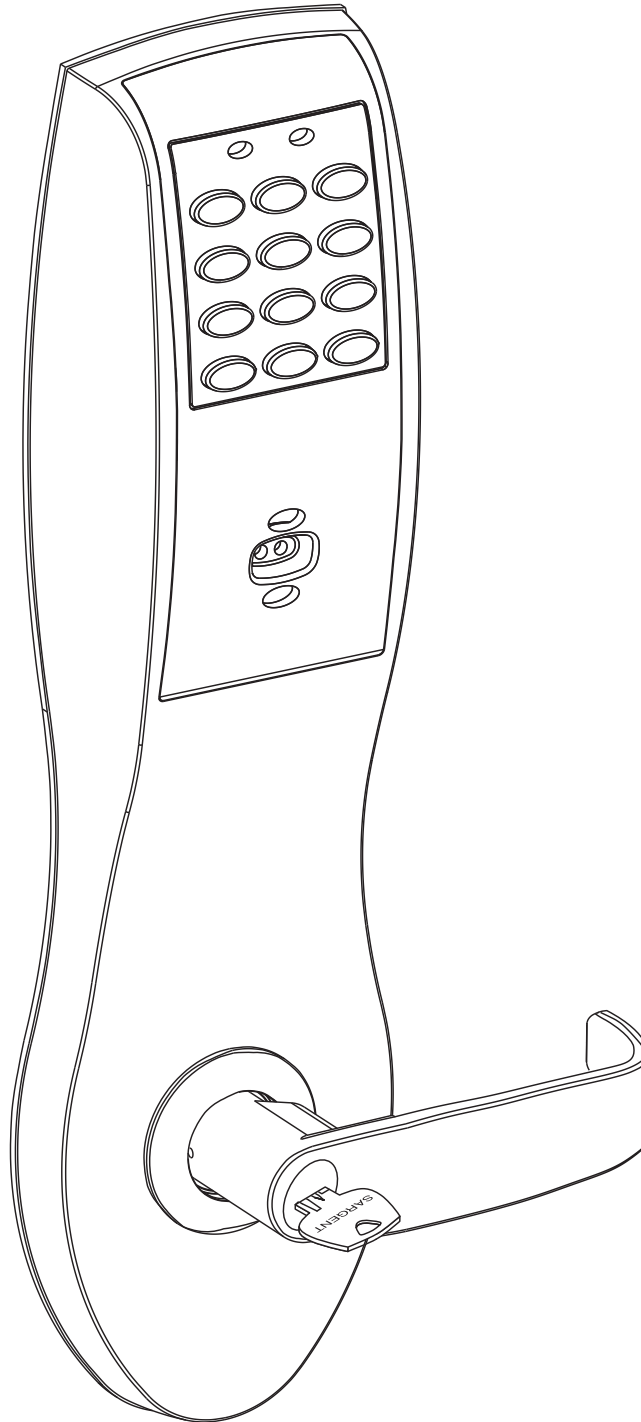
Installation Instructions

For Profile Series v.G1.5

Cylindrical Lock

SARGENT[®]

ASSA ABLOY



A7854B

Copyright © 2009, Sargent Manufacturing Company, an ASSA ABLOY Group company. All rights reserved.
Reproduction in whole or in part without the express written permission of Sargent Manufacturing Company is prohibited.

FOR ASSISTANCE, CONTACT SARGENT AT 800-727-5477 or www.sargentlock.com

ASSA ABLOY, the global leader
in door opening solutions

Table of Contents

| | Page |
|--|-------------|
| 1 Warning | 1 |
| 2 General Description..... | 1 |
| 3 Specifications..... | 1 |
| 4 Features..... | 1 |
| 5 Parts Breakdown..... | 2–3 |
| 6 Installation Instructions | |
| 6.1–Verify Hand and Bevel of Door..... | 4 |
| 6.2–Door Prep..... | 4 |
| 6.3–Frame Preparation for Strike | 5 |
| 6.4–Latchbolt and Fire Stop Plate Installation | 5 |
| 6.5–Lock Installation..... | 6 |
| 6.6–Securing the Lock in the Door..... | 7 |
| 6.7–Remove Outside Lever Only | 7 |
| 6.8–Installation of Outside Escutcheon & Lever..... | 8 |
| 6.9–Inside Escutcheon & Lever | 8 |
| 6.10–Hardwiring Options | |
| 6.10.A–Important..... | 9 |
| 6.10.B–Installation Notes | 9 |
| 6.10.C–ElectroLynx® Connector Notes..... | 9 |
| 6.10.D–Forced/Propped Door Option (DM-) | 10 |
| 6.10.E–Hard Power & Remote Unlock (91-)..... | 11 |
| 6.10.F–Hard Power and Remote Unlock (91-) with Forced/Propped Door (DM-)..... | 12 |
| 6.11–Mount Outside Escutcheon & Battery Installation | 13 |
| 7 Operational Check..... | 14 |
| 8 Installation of RF Technology Lock (G1-TU, G1-TA, G1-TP) | |
| 8.1–Installation of the top through-bolt | 14 |
| 8.2–Removal procedure for Battery Keeper..... | 14 |

1 Warning

Warning: Changes or modifications to this unit not expressly approved by the party responsible for compliance could void the user's authority to operate the equipment.

This device complies with Part 15 of the FCC Rules. Operation is subject to the following two conditions: (1) This device may not cause harmful interference, and (2) this device must accept any interference received, including interference that may cause undesired operation.

Note: This equipment has been tested and found to comply with the limits for a Class B digital device, pursuant to Part 15 of the FCC Rules. These limits are designed to provide reasonable protection against harmful interference in a residential installation. This equipment generates, uses and can radiate radio frequency energy and if not installed and used in accordance with the instructions, may cause harmful interference to radio communications. However, there is no guarantee that the interference will not occur in a particular installation. If this equipment does cause harmful interference to radio or television reception, which can be determined by turning the equipment off and on, the user is encouraged to try to correct the interference by one or more of the following measures:

- Reorient or relocate the receiving antenna
- Increase the separation between the equipment and receiver
- Connect the equipment into an outlet on a circuit different from that to which the receiver is connected
- Consult the dealer or an experienced TV technician for help

This Class B digital apparatus complies with Canadian ICES-003.

Cet appareil numérique de la classe B est conforme avec la norme NMB-003 du Canada.



Warning To comply with "Fire Listed" doors, the batteries must be replaced with alkaline batteries only.

2 General Description

IMPORTANT

- The Profile v.G1.5 Series provides enhanced software and hardware features.
- New v.G1.5 controllers replace v.G1 controllers. Product is still ordered as "G1-" prefix. Controllers are labeled "G1.5"

The SARGENT Keypad Cylindrical Lock is designed for areas which require stand alone authorized entry. It is a self-contained microprocessor-controlled keypad with non-volatile memory. The keypad will hold a total of 100(LK)/2000 (G1-LU, G1-PK, G1-PA, G1-TU, G1-TP, G1-TA) different user codes. User codes "01" & "02" are utilized for Master Code and Supervisory Code, respectively.

This product is operated by six (6) "AA" alkaline batteries.

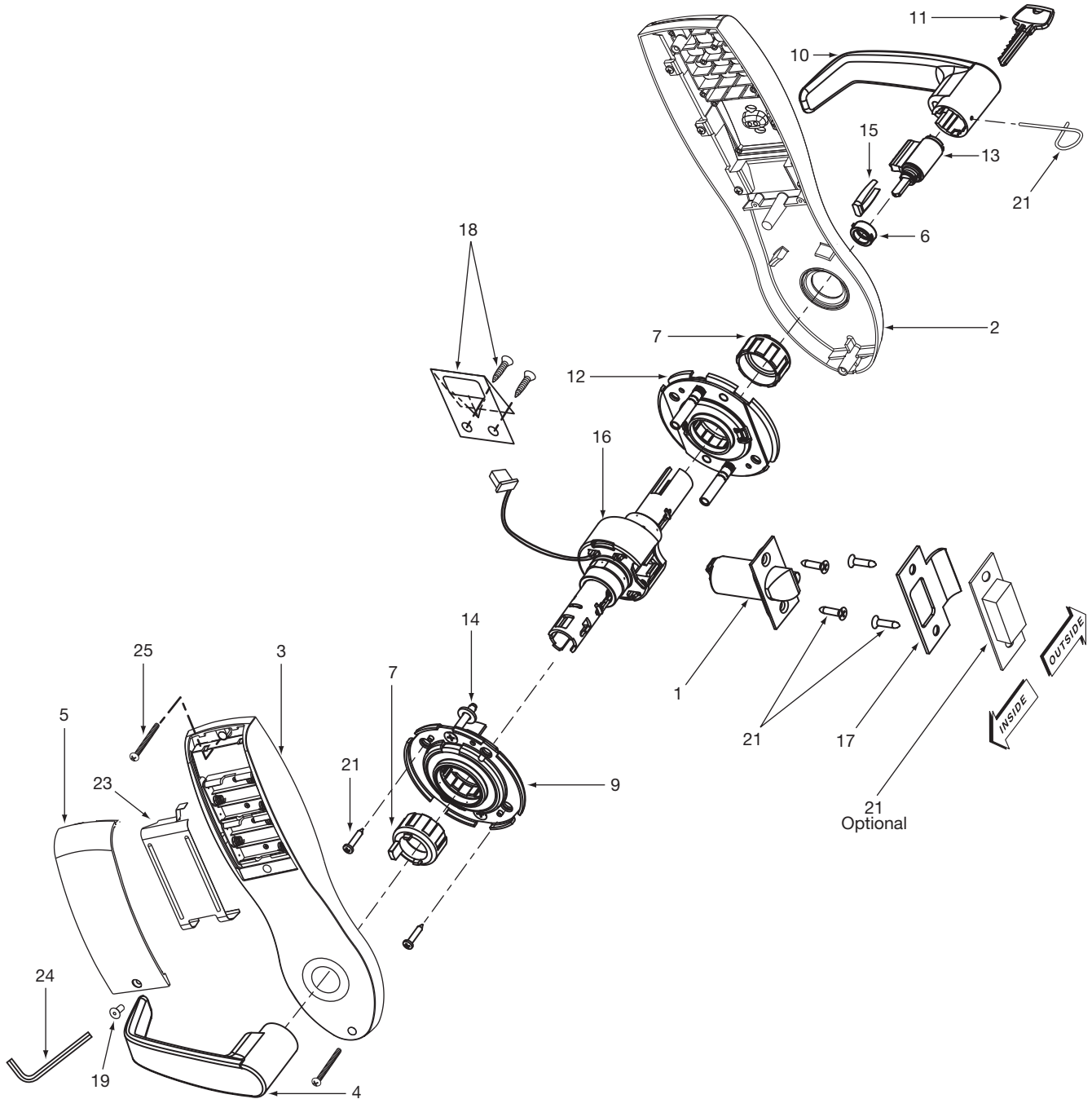
3 Specifications

- Latch – 1/2" standard
3/4" throw fire-rated double doors
(optional) (41- prefix)
- Deadlocking latch
- Outside lever controlled by keypad,
or key retracts latch
- Inside lever retracts latch
- Locks furnished for 1-3/4" doors only
- U.L. Listed

4 Features

- Non volatile memory
- Motor driven, battery operated
- Battery operated with 6 "AA" Alkaline
- Low battery alert—4 chirps after code entry
- External remote "request to enter"
- Master, Emergency or Supervisory code will unlock door when low battery has expired
- 100 (LK) or 2000 (G1-LU, G1-PK, G1-PA, G1-TU, G1-TP, G1-TA) users
- Programming done at keypad or with a PDA using SofLink™ Plus software and a PC (G1-TA & G1-TP require software)
- RF Fob and Proximity Card, Tag, Fob are optional
- Operates utilizing any two to six digits per code. Digits may be repeated and codes may start with zero
- Cylinder override
- Entry of three wrong User Codes disables all codes for ten seconds. Yellow LED on solid
- Piezo horn can be heard with each keystroke or turned off by Master or Supervisory Code
- Last 15 transactions can be output to portable print via infrared link (LK Only)
- Last 2000 (Except LK) transactions can be output to PC via SofLink™ Plus Software

5 Parts Breakdown



Copyright © 2009, Sargent Manufacturing Company, an ASSA ABLOY Group company. All rights reserved. Reproduction in whole or in part without the express written permission of SARGENT Manufacturing is prohibited.

5 Parts Breakdown (Continued)

| ITEM | PART No. | DESCRIPTION | REQ'D |
|---------|--|--|--------------------------|
| 1 | 10-2000 | 2-3/4" Backset Latch (Standard) | 1 |
| | 10-2053 | 3-3/4" Backset Latch (23 Prefix) | 1 |
| | 10-2058 | 5" Backset Latch (25 Prefix) | 1 |
| | 10-2634 | 3/4" Throw (41 Prefix) | 1 |
| 2 | 10-3026 | Outside Escutcheon Key Pad, Key Pad/Prox (LK) | 1 |
| | 10-3130 | Outside Escutcheon Key Pad, Key Pad/Prox (G1-LU, G1-PK, G1-TU, G1-TP) | 1 |
| | 10-3131 | Outside Escutcheon Prox Only (G1-PA, G1-TA) | 1 |
| | 10-3016 | Outside Escutcheon Housing Only | 1 |
| | 52-2432 | Keypad/Proximity Bezel Assembly w/ Harness (LK) | 1 |
| | 52-2704 | Key Pad/Proximity Bezel Assembly w/ Harness (G1-LU, G1-PK, G1-TU, G1-TP) | 1 |
| | 52-2706 | Prox Only Bezel Assembly w/ Harness/(G1-PA, G1-TA) | 1 |
| 3 | 10-3020 | Inside Escutcheon and 100 User Controller (LK) | 1 |
| | 10-3126 | Inside Escutcheon and 2000 User Controller (G1-LU) | 1 |
| | 10-3127 | Inside Escutcheon and Key Pad/Prox or Prox Only Controller (G1-PA, G1-PK) | 1 |
| | 10-3015 | Inside Escutcheon Housing Only | 1 |
| | 52-2439 | 100 User (LK) Key Pad Controller Assembly | 1 |
| | 52-2733 | 2000 User (G1-LU) Key Pad Controller Assembly | 1 |
| | 52-2734 | 2000 User (G1-PA, G1-PK) Prox Only or Prox Key Pad Controller Assy. | 1 |
| | 52-2736 | 2000 User (G1-TA, G1-TP) Prox Only or Prox/Keypad Controller Assembly w/ RF Technology | 1 |
| | 52-2735 | 2000 User (G1-TU) Keypad Controller Assembly w/ RF Technology | 1 |
| | 4 | 10-0523 | "B" Inside Lever/Passage |
| 10-2204 | | "J" Inside Lever/Passage | 1 |
| 10-0501 | | "L" Inside Lever/Passage | 1 |
| 10-0545 | | "P" Inside Lever/Passage | 1 |
| 10-0534 | | "B" Inside Lever (75- Handicap Warning) | 1 |
| 10-2245 | | "J" Inside Lever (75- Handicap Warning) | 1 |
| 10-0512 | | "L" Inside Lever (75- Handicap Warning) | 1 |
| 10-0556 | | "P" Inside Lever (75- Handicap Warning) | 1 |
| 52-2437 | | Battery Cover Only | 1 |
| 52-2509 | | Battery Cover RF Technology (G1-TU, G1-TP, G1-TA) | 1 |
| 6 | 10-0019 | Cylinder Spacer | 1 |
| 7 | 10-0792 | Spacer Bushing | 2 |
| 9 | 10-3048 | Inside Rose Spring Assembly | 2 |
| 10 | 10-0524 | "B" Outside Lever Standard Cylinder | 1 |
| | 10-2205 | "J" Outside Lever Standard Cylinder | 1 |
| | 10-0502 | "L" Outside Lever Standard Cylinder | 1 |
| | 10-0546 | "P" Outside Lever Standard Cylinder | 1 |
| | 10-0525 | "B" Outside Lever (30- To Accept Schlage Cylinder) | 1 |
| | 10-2206 | "J" Outside Lever (30- To Accept Schlage Cylinder) | 1 |
| | 10-0503 | "L" Outside Lever (30- To Accept Schlage Cylinder) | 1 |
| | 10-0547 | "P" Outside Lever (30- To Accept Schlage Cylinder) | 1 |
| | 10-1535 | "B" Outside Lever Standard Cylinder (76- Handicap Warning) | 1 |
| | 10-2246 | "J" Outside Lever Standard Cylinder (76- Handicap Warning) | 1 |
| 10-0513 | "L" Outside Lever Standard Cylinder (76- Handicap Warning) | 1 | |
| 10-0557 | "P" Outside Lever Standard Cylinder (76- Handicap Warning) | 1 | |
| 11 | | Key (Provided with Cylinder) | 1 |
| 12 | 10-3049 | Outside Rose Spring Assembly | 1 |
| 13 | 13-3266 | Cylinder (Standard) | 1 |
| | 13-3613 | Schlage (SC) Cylinder (95-(SC)) | 1 |
| | 13-3614 | Schlage (SE) Cylinder (95-(SE)) | 1 |
| | 10-0019 | Schlage (SC, SE & Signature) Cylinder Spacer | 1 |
| | 13-3491 | Cylinder (22-Construction) | 1 |
| | 13-3713 | Cylinder (10-Signature) | 1 |
| | 13-3871 | Cylinder (10-21 Signature Construction) | 1 |
| | 13-3944 | Cylinder (21-Cylinder) | 1 |
| | 18-4020 | Cylinder (VA-ASSA V10) | 1 |
| | 18-4063 | Cylinder (VS-ASSA V10) | 1 |
| 14 | 01-9170 | Screws for Through Bolts (#10-32 x 1-3/4") | 1 |
| 15 | 10-0312 | Cylinder Retainer - All Cylinders except Removable and Interchangeable core | 1 |
| | 10-0313 | Cylinder Retainer - Removable Core or Interchangeable Core | 1 |
| 16 | 10-2642 | 77 Lock Body (Std, 10, 21, 23, 30, SC, SE, VA & VS Prefixes only) | 1 |
| | 10-2643 | 77 Lockbody (60, 63, 64 Prefixes only) | 1 |
| | 10-2644 | 77 Lockbody (70, 72, 65-73, 65-73P Lockbody) | 1 |
| 17 | 08-0312 | #800 Strike | 1 |
| | 08-0066 | #808 Strike (28-Prefix) | 1 |
| 18 | 52-0033 | Fire Stop Plate and Screws (2) | 1 |
| 19 | 45-1340 | Flat Head Screw (Security) | 1 |
| 20 | 52-2300 | Screw Pack (includes item #'s 18, 19, 24, 25) | 1 |
| | 01-0297 | 1/8" Security Socket Allen Wrench (item 24) | 1 |
| 21 | 10-2052 | Screw Pack – Specify Finish (Strike Screws, Latch Screws, Push Pin Tool, Strike Box) | 1 |
| 23 | 52-0253 | Battery Keeper | 1 |
| | 52-0344 | Battery Keeper – RF Technology (G1-TU, G1-TP, G1-TA) | 1 |
| 24 | | See Item # 20 Screw Pack | |
| 25 | | See Item # 20 Screw Pack | |

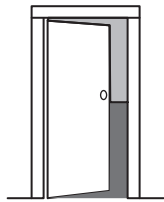
NOTE: Coastal Levers & Cylinders other than Standard– See 10 Line Parts Pages

NOTE: Coastal Levers & Cylinders other than Standard See 10 Line Parts Pages

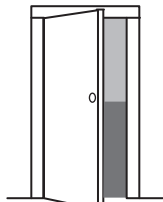
6 Installation Instructions

6.1–Verify Hand and Bevel of Door

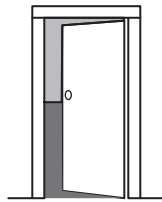
Stand on outside/locked side of the door when determining the door hand



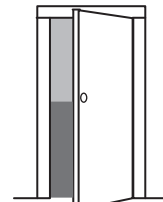
Left Hand
Hinges Left.
Open inward.
“LH”



Left Hand
Reverse Bevel
Hinges Left.
Open Outward
“LHRB”



Right Hand
Hinges Right
Open Inward.
“RH”

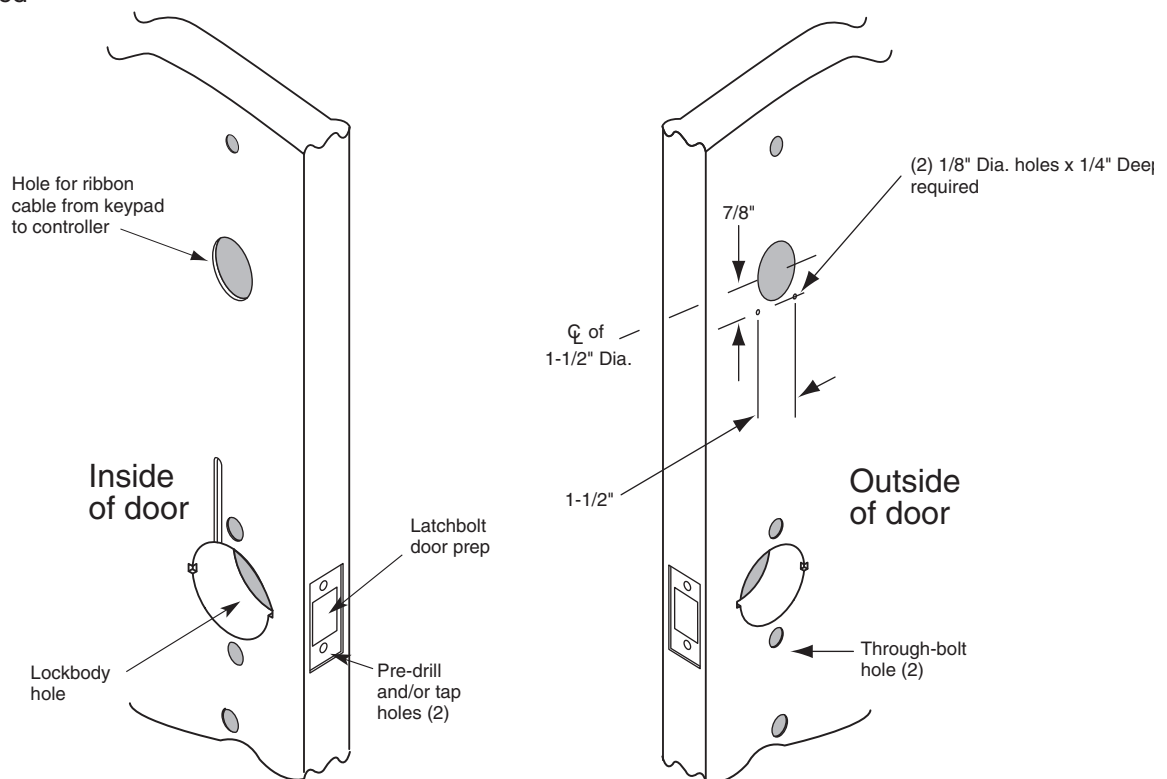


Right Hand
Reverse Bevel
Hinges Right.
Open Outward.
“RHRB”

6.2–Door Preparation

Prepare door according to appropriate template (see website www.sargentlock.com):

- For metal door template, see 4531 and 4532
- Wood Door Templates A7456 & A6719 are shipped with product
- Prior to installation, all holes must be free of burrs, debris and sharp edges
- If doors are not properly reinforced per ANSI 115.2, commercially available reinforcements should be installed



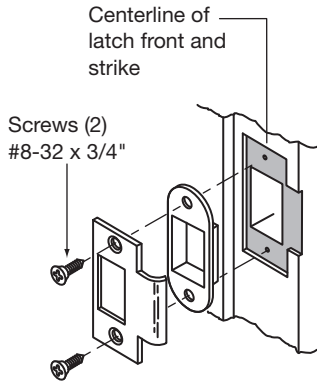
Wood Door Preparation

Copyright © 2009, Sargent Manufacturing Company, an ASSA ABLOY Group company. All rights reserved. Reproduction in whole or in part without the express written permission of SARGENT Manufacturing is prohibited.

05/06/09 A7854:B

Profile Series v.G1.5 Cylindrical Lock

6.3-Frame Preparation for Strike



SARGENT®

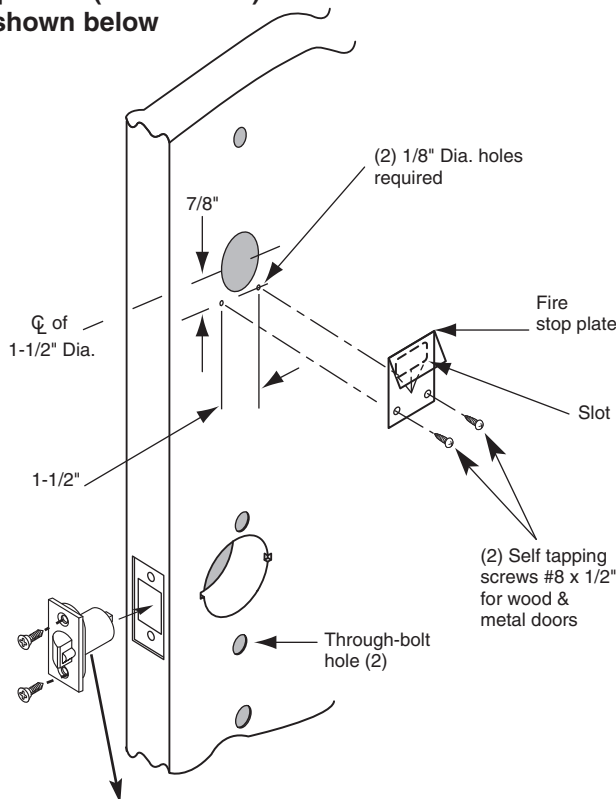
ASSA ABLOY

6.4-Latchbolt and Fire Stop Plate Installation

1. Install latch with beveled bolt facing the strike.
2. Attach with two screws but **DO NOT** tighten completely at this time.
3. Attach Fire Stop Plate with two screws.

Note: Required for all Fire Rated doors

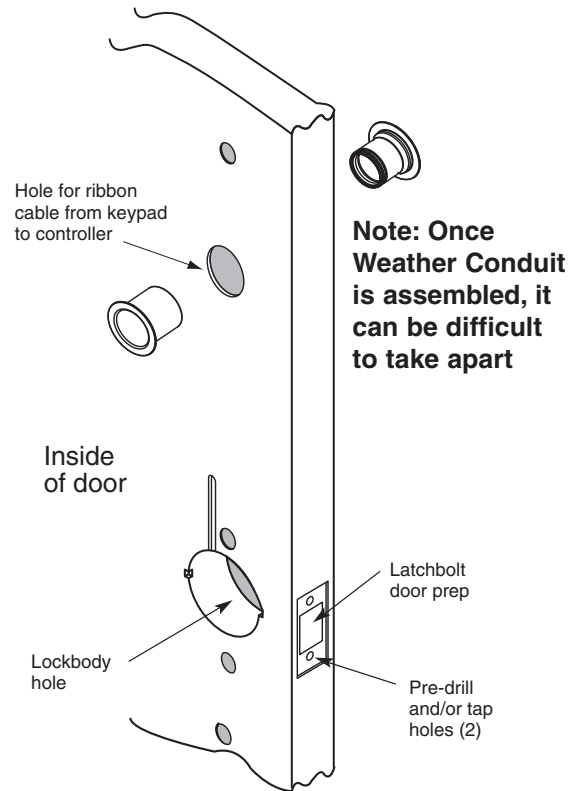
Fire Rated Doors– Install Fire Stop Plate (P/N 52-0033) as shown below



IMPORTANT: Latch bevel must match door bevel and deadlocking latch must stop on strike when door is closed



Non Fire Rated Exterior Doors– Install Weather Conduit (P/N 52-2847) as shown below



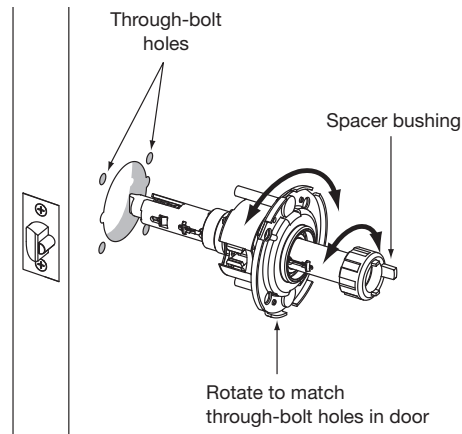
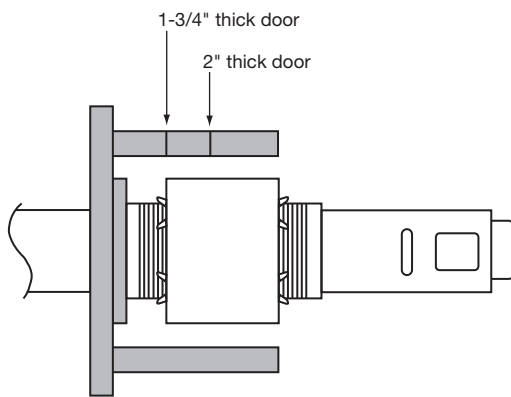
6.5–Lock Installation

Lock Preset to:

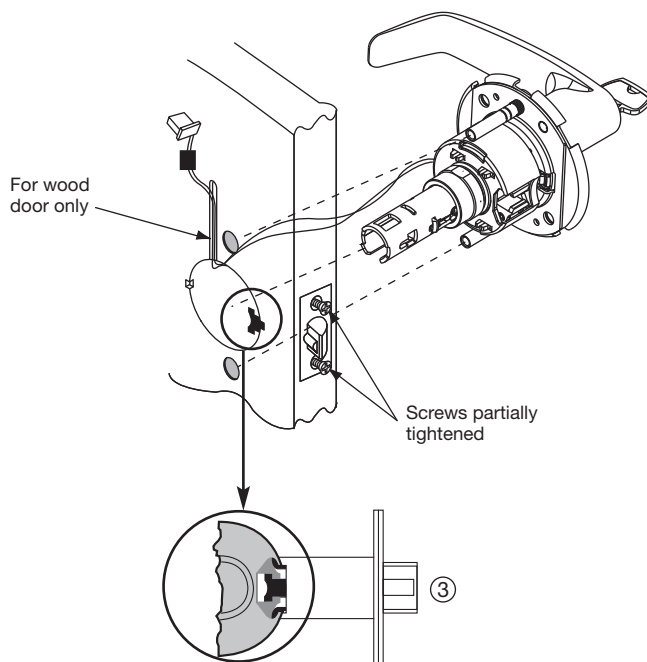
- Through-bolt location– 12 & 6 o'clock
- Door thickness– 1-3/4" thick- see below for other door conditions

Adjustment for different through-bolt and door thickness:

- Through-bolt location– rotate outside rose to match door
- Door thickness– rotate outside rose to align door thickness marking with lockbody edge
- Spacer bushing– remove and realign to fit into back of lever



1. Feed wires into the lock body hole, from outside of door.
2. Lock body into cross-bore hole from outside of the door (locked side).
3. Lock body must engage both the latch unit prongs and tail piece, as shown.

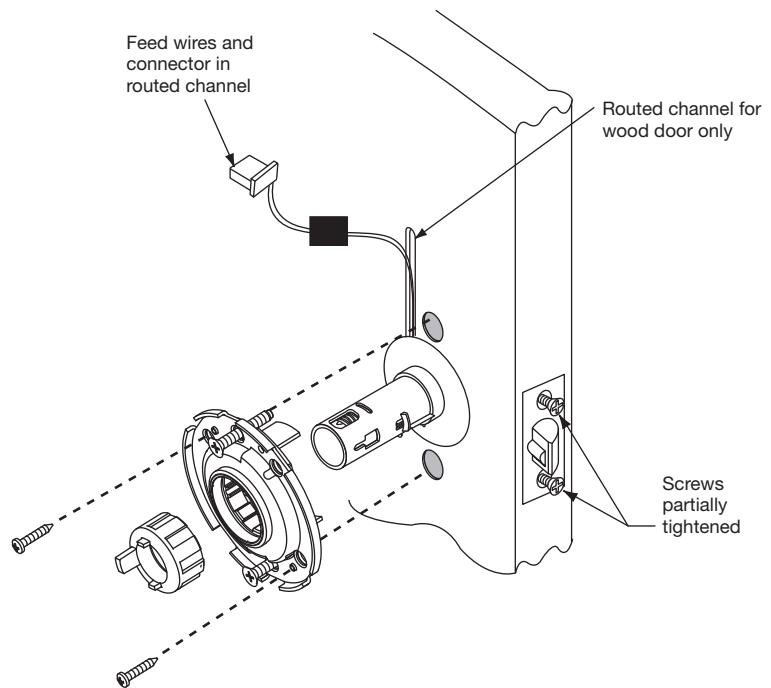


IMPORTANT:
Door must remain open during installation.
Use door stop.

IMPORTANT
Lockbody must be centered in the door

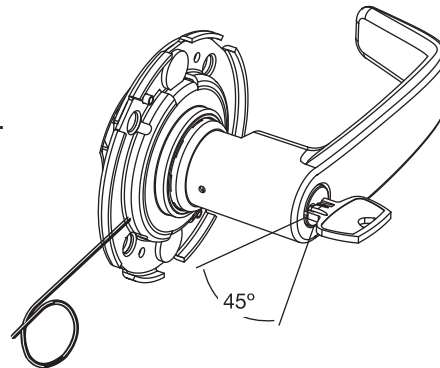
6.6—Securing the Lock in the Door

- 1A. If wood door, feed wires up through the routed channel as shown.
- 1B. If metal door, feed wire and connector through inside of door and out hole on outside of door. *
2. Attach inside rose assembly and spacer bushing and secure with screws shown



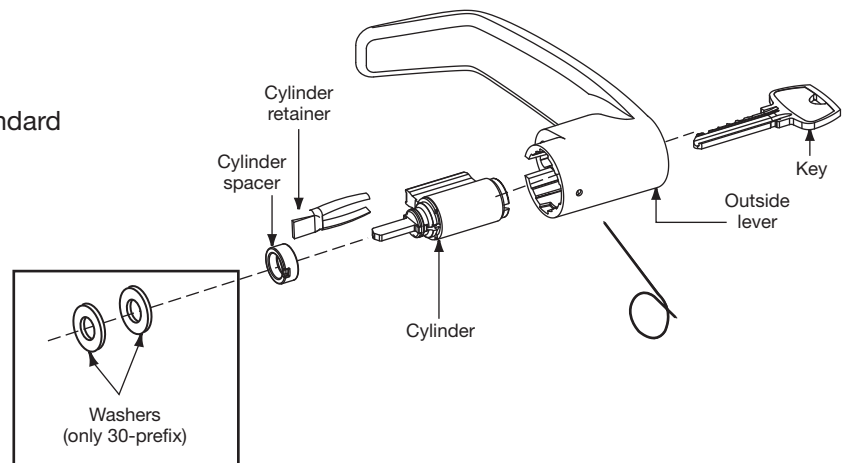
6.7—Remove Outside Lever Only

1. Insert key, rotate 45° clockwise and hold
2. Depress lever retainer with push pin tool (provided).



How to Change Cylinder (if required)

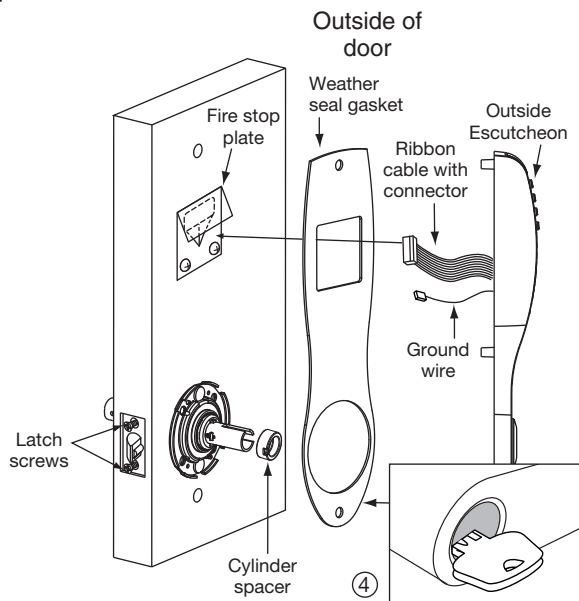
1. With outside lever in hand, use standard pliers to pull out cylinder retainer.
2. Remove key and cylinder from lever.
3. Insert new cylinder.
4. Secure by pressing cylinder retainer flush with the lever.



6.8—Installation of Outside Escutcheon and Lever

NOTE: For exterior applications, use weather seal gasket part # (10-0649) between escutcheon and outside door surface

- 1A. For fire rated doors only, feed ribbon cable connector and ground wire from outside of door through weather seal gasket (if used) then fire stop plate.
- 1B. For non-fire rated doors only, feed ribbon cable connector and ground wire from outside of door through weather seal gasket (if used), then conduit sleeve in door (not shown).
2. Slide the outside escutcheon over the lock and hold the escutcheon to the door surface.
3. Prior to installing outside lever, verify cylinder spacer is inserted into horizontal slot of lock body tube.
4. Slide the outside lever onto tube with key horizontal (toward latch). Rotate key 45 degrees clockwise.
5. Push lever until lever catch is engaged.



6.9—Inside Escutcheon and Lever

1. Remove black battery cover from the escutcheon with security wrench (provided).
2. Connect ground wire to terminal E3 (Fig. 1), connect keypad harness (Fig. 2) to controller, and connect lockbody motor harness (Fig. 3) to motor connector.
3. Feed all excess wire through inside door hole and into outside escutcheon cavity, being careful not to pinch wires.
4. Tighten two latch screws completely.



Ribbon Cable Orientation:
Install with cable exiting DOWN, as shown.

Figure 1

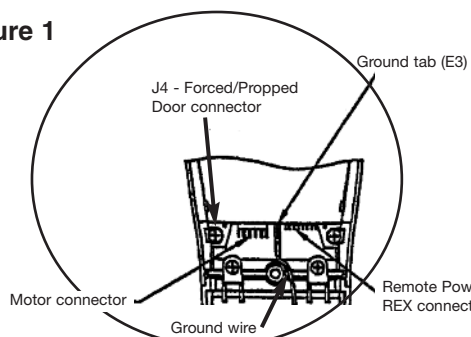


Figure 3

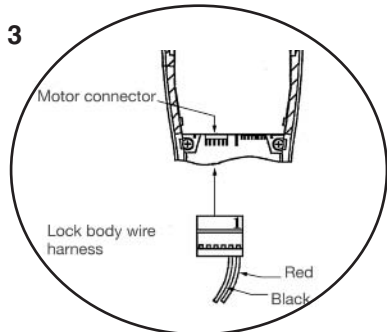
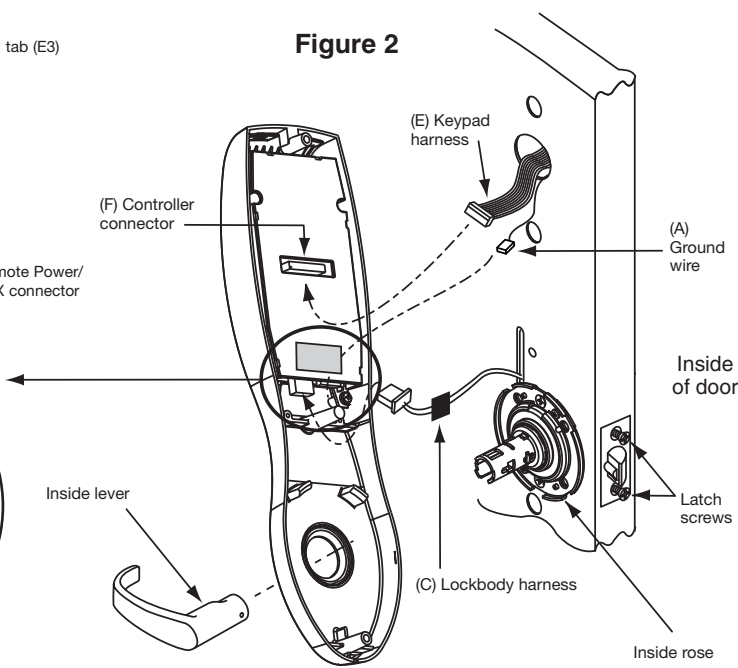


Figure 2



6.10—Hardwiring Options

Note: If hardwiring IS NOT REQUIRED, go to Mounting of Outside Escutcheon and Battery Installation (6.11)

Hardwiring options include one or a combination of the following; Forced/Propped Door, Hard Power and/or Remote Unlock (REX)

6.10.A—Important

1. Caution: Disconnect all input power before beginning installation to prevent electrical shock and equipment damage.
2. Installer must be a trained, experienced service person.
3. All wiring must comply with applicable local electrical codes, ordinances and regulations.

6.10.B—Installation Notes

1. With new applications, an ElectroLynx® door harness with 8 and 4 pin connectors will be pre-installed inside door by Assa Abloy door manufacturer when specified during ordering process.
2. Wiring to pigtail harness is per facility wiring requirement. ElectroLynx® connector terminations and wire colors all match.
3. If door does not have an ElectroLynx® type door harness, cut connectors off product and hardwire, or consult factory for appropriate mating harness.

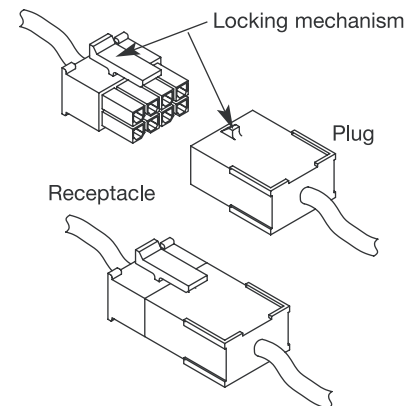
6.10.C—ElectroLynx® Connector System Notes:

The system is designed to be installation friendly with pluggable connectors from the electric hinge through the door to the rail. The only wiring required is to the loose wires on the pigtail harness assembly on the frame side of the electric hinge.

IMPORTANT:

The plug and receptacle connectors are designed to mate and lock together as shown in the figure. Plug the connectors into each other with the locking mechanism aligned as indicated.

Do NOT force connectors on any other way.



Hardwiring Made Easy®



ElectroLynx®

As part of their promise to provide innovative, fast and effective, and higher security solutions to their customers, ASSA ABLOY Group companies offer ElectroLynx, a universal quick-connect system that simplifies the electrification of the door opening.

ElectroLynx® is a registered trademark of ASSA ABLOY, Inc.

6.10.D–Forced/Propped Door Option (DM-)

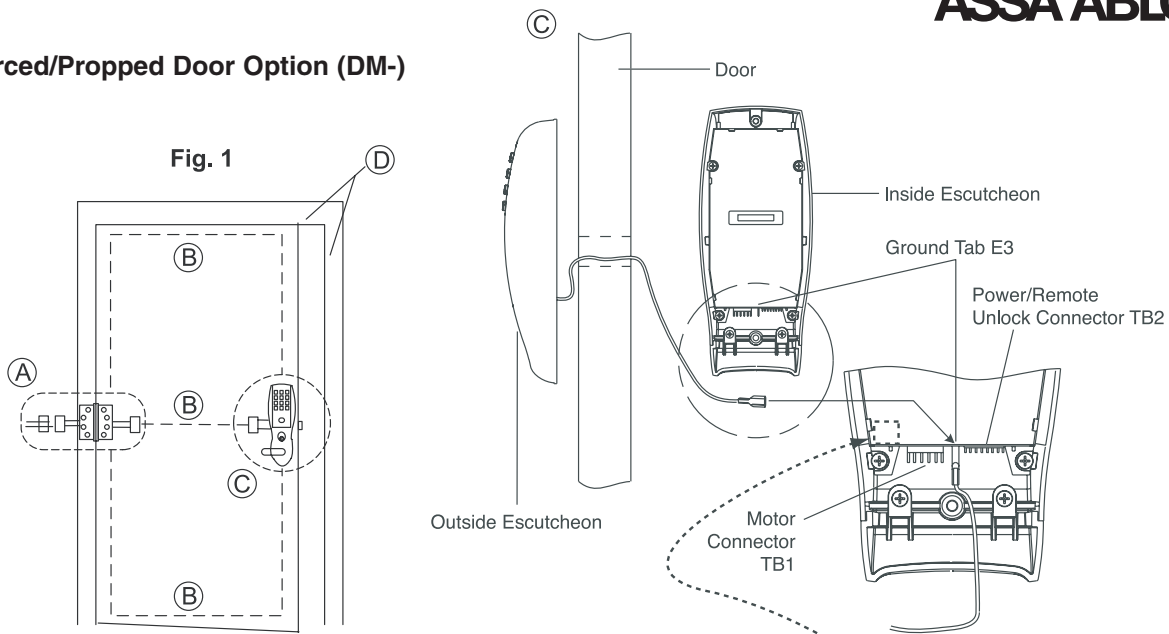
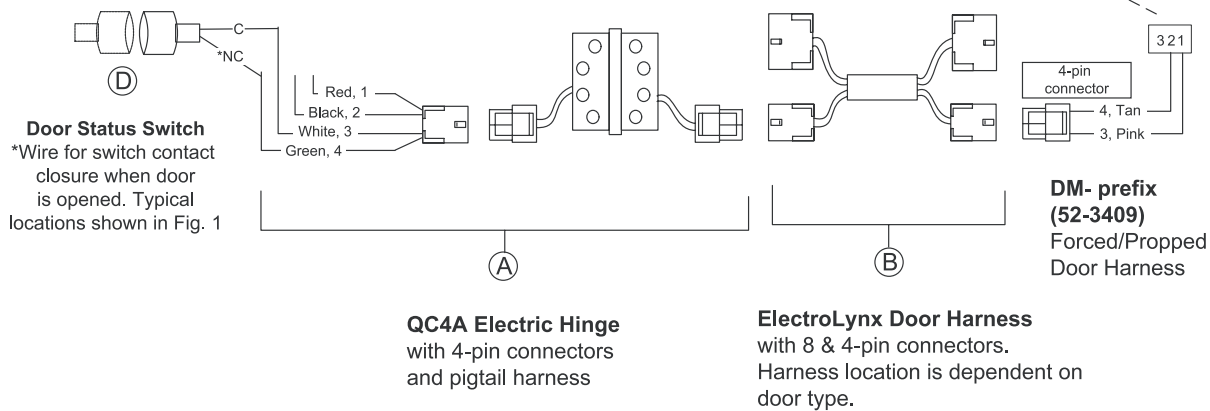


Fig. 2
Forced/Propped Door Option
ElectroLynx Wiring System



Installation

1. ElectroLynx® System Wiring Instructions (refer to Fig. 1 and Fig. 2)
 - a. Look for the mating part on ASSA ABLOY doors & frames. Then plug in all connectors as shown in Fig. 2 during product installation
 - b. Hard wire door status switch as shown
2. Non-ElectroLynx® System Wiring Instructions (refer to Fig. 1 and Fig. 2)
 - a. Cut the 4-pin connector off the Forced/Propped harness and hard wire to non-ElectroLynx® two conductor door harness.
 - b. Hard wire door harness to power transfer device
 - c. Hard wire door status switch to power transfer device

Copyright © 2009, Sargent Manufacturing Company, an ASSA ABLOY Group company. All rights reserved. Reproduction in whole or in part without the express written permission of SARGENT Manufacturing is prohibited.

6.10.E—Hard Power and Remote Unlock (91-)

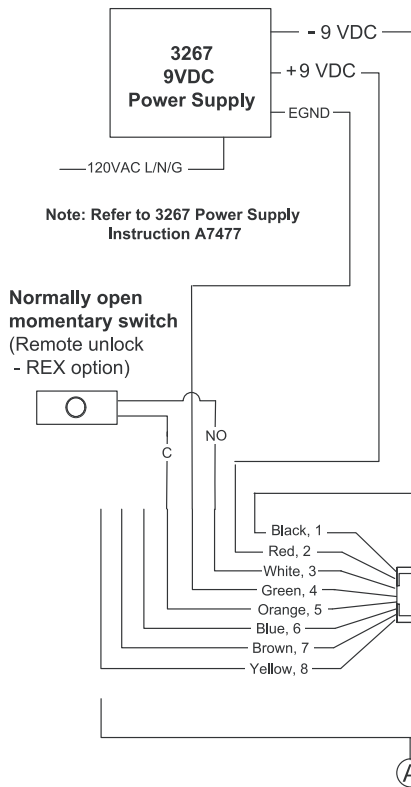
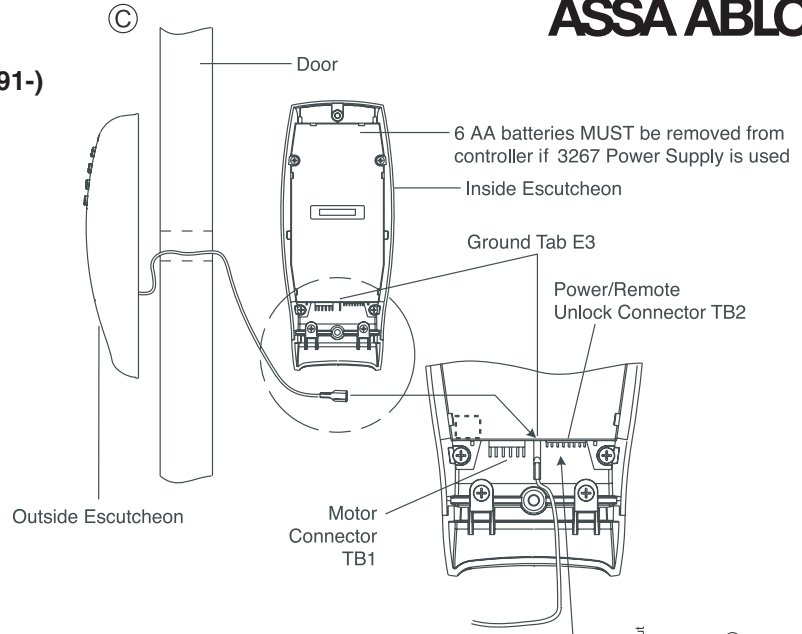
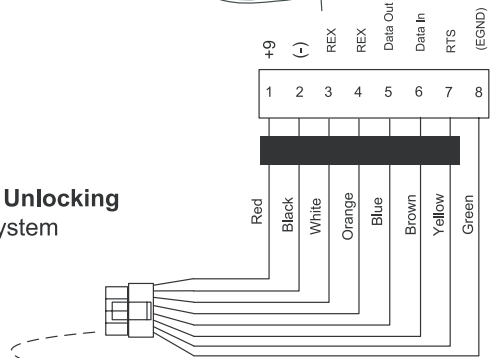


Fig. 3
Remote Power & Remote Unlocking
ElectroLynx Wiring System



91-Prefix
(52-3010)
Remote Power &
Unlocking Harness

QC8 Electric Hinge
with 8-pin connectors,
8 wires and pigtail harness

ElectroLynx Door Harness
with 8 & 4-pin connectors.
Harness location is dependent on
door type.

Installation

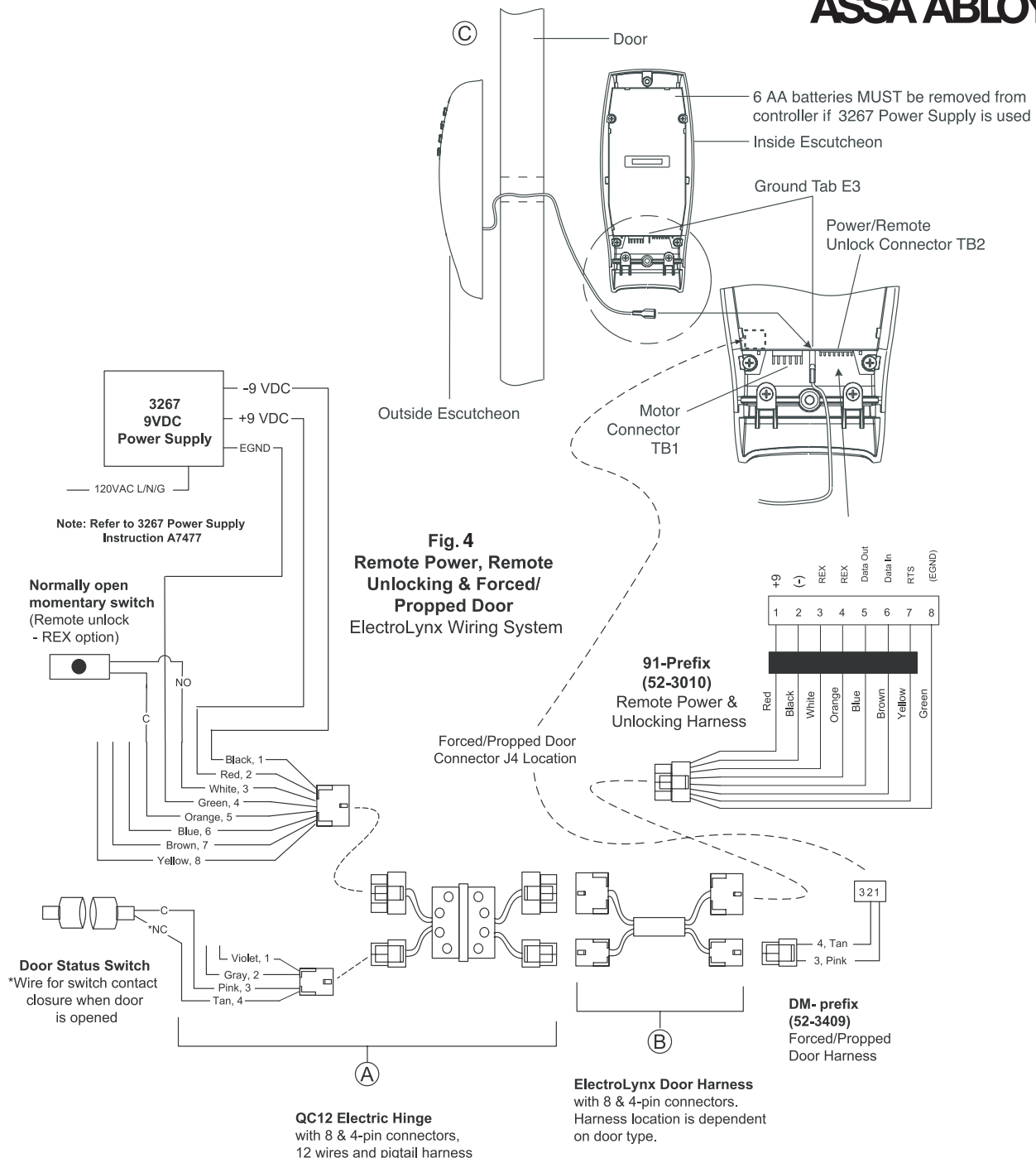
1. ElectroLynx® System Wiring Instructions (refer to Fig. 1 and Fig.3)
 - a. Look for the mating part on ASSA ABLOY doors & frames. Then plug in all connectors as shown in Fig. 3 during product installation
 - b. Hard wire hard power and/or remote unlock (REX), as shown
2. Non-ElectroLynx® System Wiring Instructions (refer to Fig. 1 and Fig.3)
 - a. Cut the 8-pin connector off the Remote Power/Unlock harness and hard wire to non-ElectroLynx® door harness. Remote power requires three conductors and remote unlock requires two conductors.
 - b. Hard wire door harness to power transfer device
 - c. Hard wire hard power and/or remote unlock (REX), as shown

Profile Series v.G1.5 Cylindrical Lock

6.10.F—Hard Power and Remote Unlock (91-) with Forced/Propped Door (DM-)

SARGENT®

ASSA ABLOY



Copyright © 2009, Sargent Manufacturing Company, an ASSA ABLOY Group company. All rights reserved. Reproduction in whole or in part without the express written permission of SARGENT Manufacturing is prohibited.

Installation

1. ElectroLynx® System Wiring Instructions (refer to Fig. 1 and Fig. 4)
 - a. Look for the mating part on ASSA ABLOY doors & frames. Then plug in all connectors as shown in Fig. 4 during product installation
 - b. Hard wire forced/propped, hard power and/or remote unlock (REX), as shown
2. Non-ElectroLynx® System Wiring Instructions (refer to Fig. 1 and Fig. 4map)
 - a. Cut the 8-pin connector off the Remote Power/Unlock harness and hard wire to non-ElectroLynx® door harness. Remote power requires three conductors and remote unlock requires two conductors.
 - b. Hard wire door harness to power transfer device
 - c. Hard wire forced/propped, hard power and/or remote unlock (REX), as shown

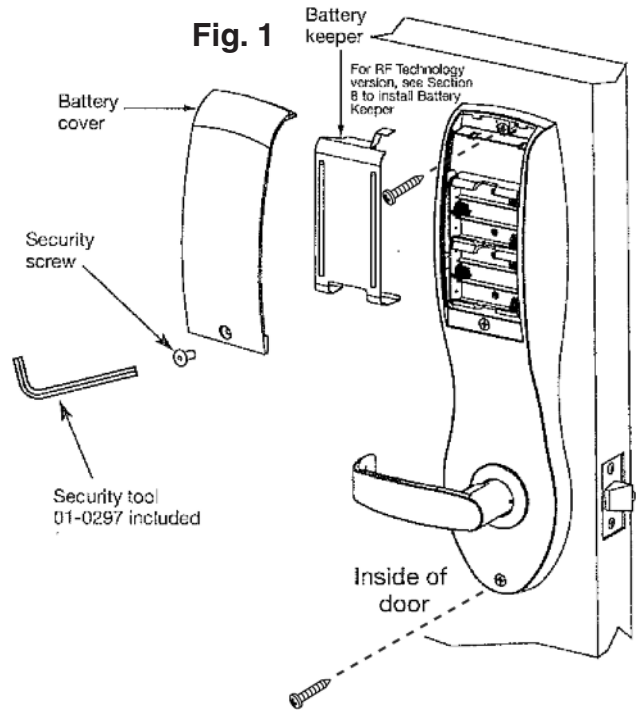
6.11–Mounting of Outside Escutcheon and Battery Installation

NOTE: Connectors go on only one way. Do not offset connector and be sure they are completely sealed.

1. Insert two #8-32 screws (Fig. 2) through top and bottom of inside escutcheon and thread into outside escutcheon. Straighten escutcheons and tighten securely, being careful to avoid pinching wires.

NOTE: For RF Technology versions (G1-TU, G1-TP, G1-TA), refer to Section 8 to install through-bolt screws.

2. Slide the Inside Lever onto the tube.



3. Place (6) “AA” batteries into the compartment being careful to align polarity properly (Ref. Fig. 2).

4. Install battery keeper clip by inserting tabs into bottom slots. To remove keeper, pull on top tab (Fig. 3). For RF Technology version, refer to Section 8.

5. Attach battery cover to inside escutcheon making sure to line up tabs with retaining slots in battery cover. Secure with security screw (Ref. Fig. 4).

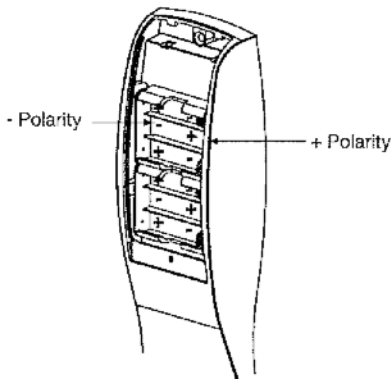


Fig. 2

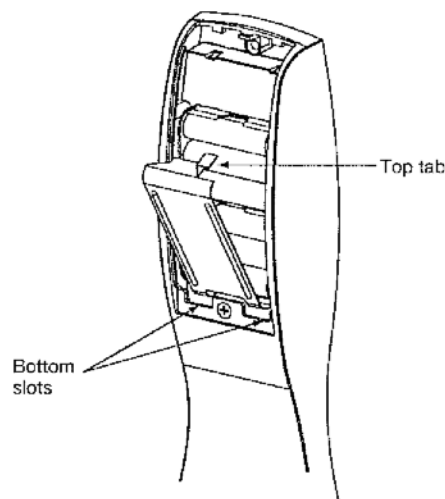


Fig. 3

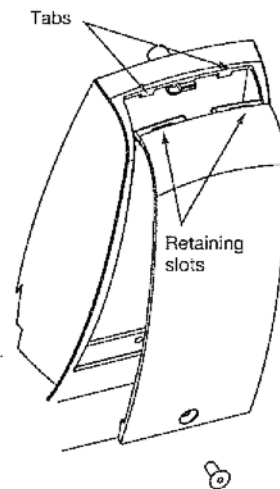


Fig. 4



7 Operational Check

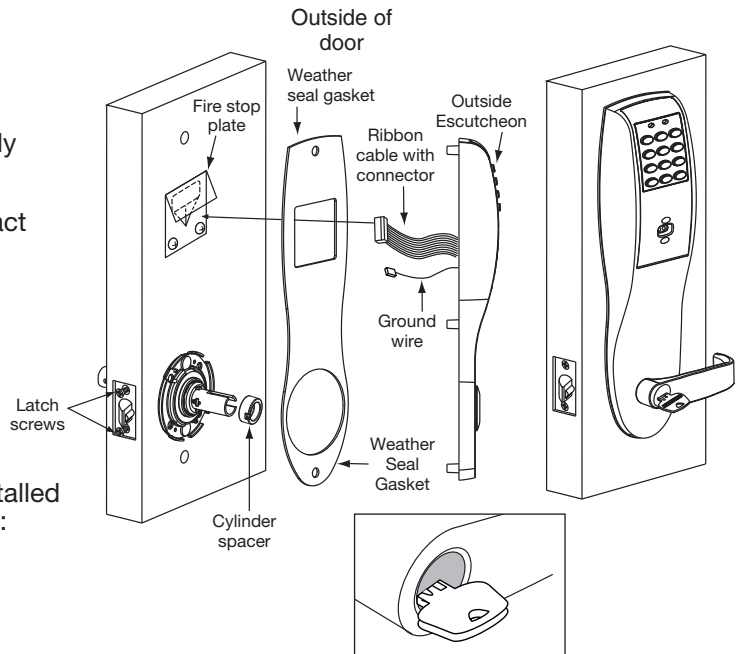
For devices with cylinders:

1. Insert key into cylinder and rotate.
2. The key will retract the latch. Key should rotate freely
3. Inside lever retracts latch and deadbolt (if provided)
4. Enter 1234* to unlock outside lever handle and retract latch and deadbolt (if provided)
5. If lock is prox only (G1-PA) or RF Technology with Prox (G1-TA) - refer to Keypad programming instruction manual

8 Installation of RF Technology Lock

The RF Technology Lock (G1-TU, G1-TA, G1-TP) is installed as described in section 6 with the following exceptions:

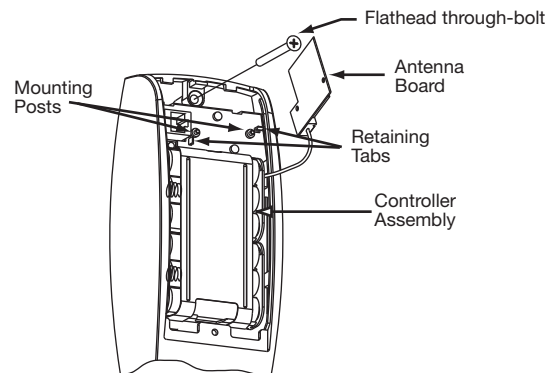
- Installation of the top through-bolt screw
- Removal process for the battery keeper



8.1-Installation of the top through-bolt screw

The antenna board must be carefully moved to access the upper through-bolt screw. Care should be taken to prevent damage to the antenna retaining tabs during this process.

Press the two tabs away from the antenna board and lift the board off the mounting posts. Insert the flat head through-bolt and secure the escutcheon in place. After tightening the top through-bolt, replace the antenna board by placing it on the mounting posts and pressing into the retaining tabs.

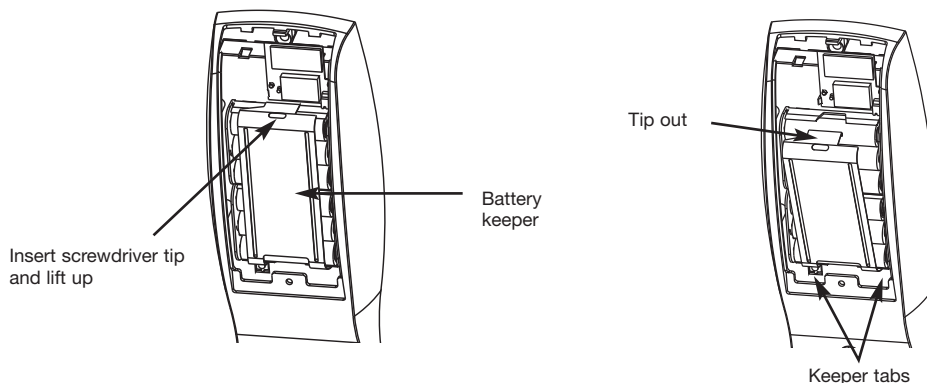


8.2-Removal procedure for the Battery Keeper

To remove the battery keeper, a flat bladed screwdriver or similar tool must be used.

Insert the screwdriver into the slot at the top of the battery keeper, lift up and pull the top of the keeper away from the batteries.

To install, insert the tabs on the bottom of the keeper into the battery compartment slots and press the keeper tightly against batteries.



Copyright © 2009, Sargent Manufacturing Company, an ASSA ABLOY Group company. All rights reserved. Reproduction in whole or in part without the express written permission of SARGENT Manufacturing is prohibited.

05/06/09 A7854:B

SARGENT Manufacturing Company
100 Sargent Drive
New Haven, CT 06511 USA
800-727-5477 • www.sargentlock.com

Founded in the early 1800s, SARGENT[®] is a market leader in locksets, cylinders, door closers, exit devices, electro-mechanical products and access control systems for new construction, renovation, and replacement applications. The company's customer base includes commercial construction, institutional, and industrial markets.

Copyright © 2009 Sargent Manufacturing Company, an ASSA ABLOY Group company. All rights reserved. Reproduction in whole or in part without the express written permission of Sargent Manufacturing Company is prohibited.

ASSA ABLOY is the global leader in door opening solutions, dedicated to satisfying end-user needs for security, safety and convenience.