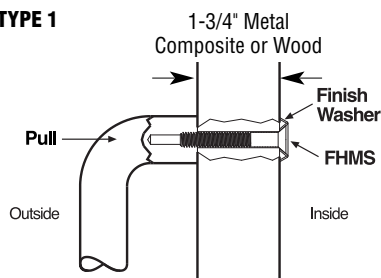


MOUNTING OPTIONS: PULLS, PUSH PLATES

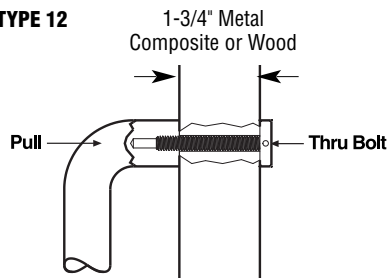
Thru Bolt

TYPE 1



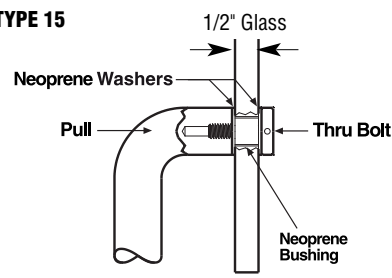
TYPE	BOLT SIZE	DRILL SIZE
1	1/4 - 20	9/32"
1HD	5/16 - 18	11/32"

TYPE 12



TYPE	BOLT SIZE	DRILL SIZE
12	1/4 - 20	9/32"
12HD	5/16 - 18	11/32"

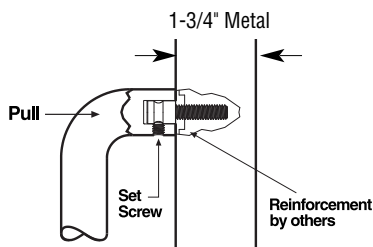
TYPE 15



TYPE	BOLT SIZE	DRILL SIZE GLASS
15	1/4 - 20	5/8"
15HD	5/16 - 18	5/8"

Surface Concealed

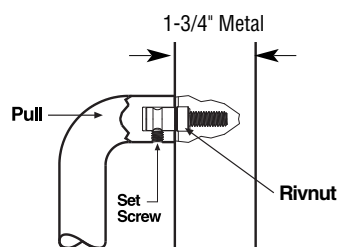
METAL DOOR - TYPE 6



Minimum diameter of pull is 3/4"

TYPE	BOLT SIZE	THREAD SIZE
6	1/4 - 20	1/4 - 20 TAP
6HD	5/16 - 18	5/16 - 18 TAP

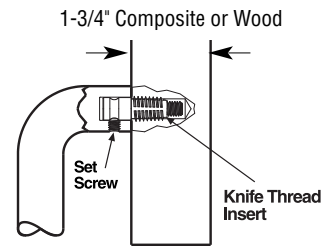
METAL DOOR - TYPE 6R



Minimum diameter of pull is 3/4"

TYPE	BOLT SIZE	DRILL SIZE METAL
6R	1/4 - 20	3/8" X 1-1/4" DP
6RHD	5/16 - 18	1/2" X 1-1/4" DP

WOOD DOOR - TYPE 8

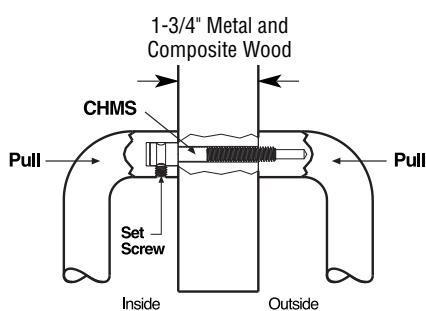


Minimum diameter of pull is 3/4"

TYPE	BOLT SIZE	DRILL SIZE WOOD
8	1/4 - 20	1-1/4" DP
8HD	5/16 - 18	1-1/4" DP

Back to Back

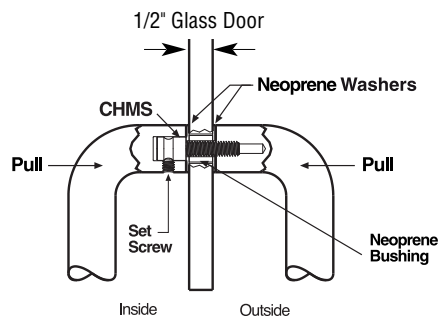
WOOD OR METAL DOOR - TYPE 5



Minimum diameter of pull is 3/4"

TYPE	BOLT SIZE	DRILL SIZE
5	1/4 - 20	9/32"
5HD	5/16 - 18	11/32"

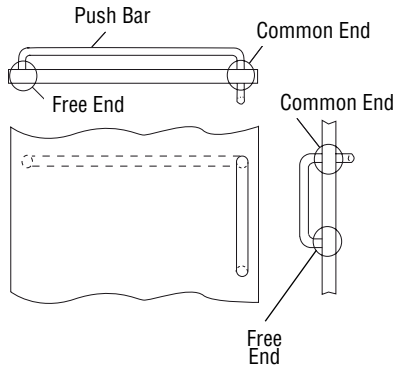
GLASS TYPE 13



Minimum diameter of pull is 3/4"

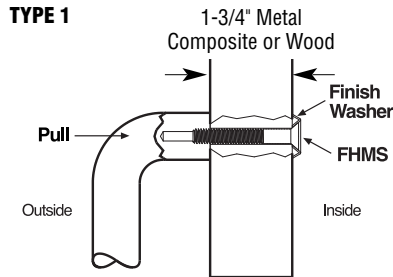
TYPE	BOLT SIZE	DRILL SIZE GLASS
13	1/4 - 20	5/8"
13HD	5/16 - 18	5/8"

MOUNTING OPTIONS: PULLS AND OFFSET PULL HANDLES-PUSH BAR SETS

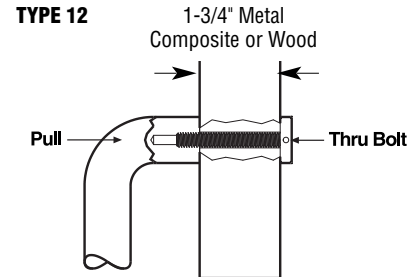


FREE END DETAILS

Thru Bolt

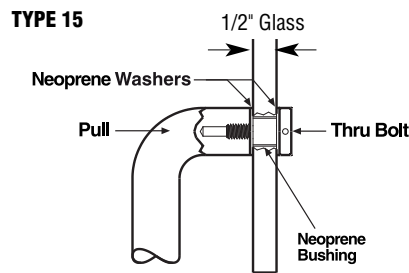


TYPE	BOLT SIZE	DRILL SIZE
1HD	5/16 - 18	11/32"

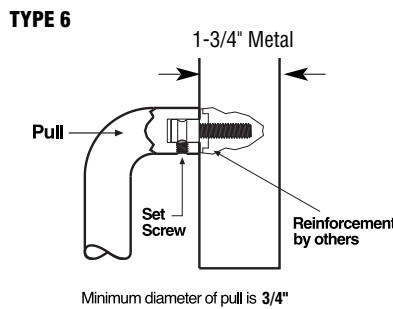


TYPE	BOLT SIZE	DRILL SIZE
12HD	5/16 - 18	11/32"

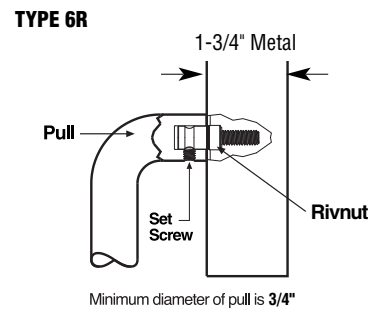
Surface Concealed



TYPE	BOLT SIZE	DRILL SIZE GLASS
15HD	5/16 - 18	5/8"

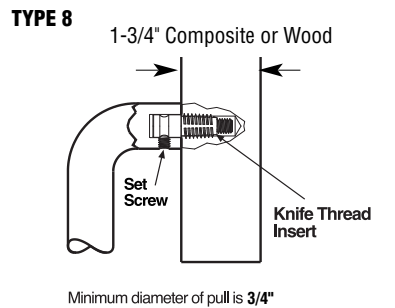


TYPE	BOLT SIZE	THREAD SIZE
6HD	5/16 - 18	5/16 - 18 TAP

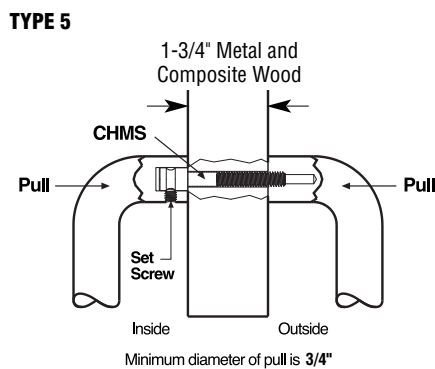


TYPE	BOLT SIZE	DRILL SIZE METAL
6RHD	5/16 - 18	1/2" X 1-1/4" DP

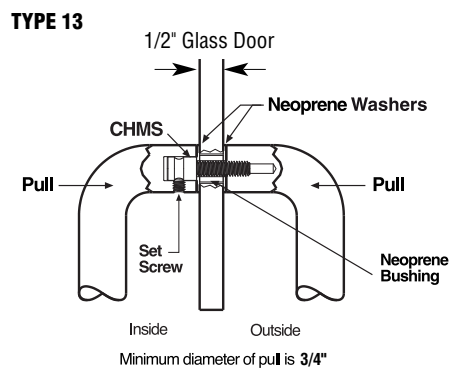
COMMON END DETAILS



TYPE	BOLT SIZE	DRILL SIZE WOOD
8HD	5/16 - 18	1-1/4" DP



TYPE	BOLT SIZE	DRILL SIZE
5HD	5/16 - 18	11/32"



TYPE	BOLT SIZE	DRILL SIZE GLASS
13HD	5/16 - 18	5/8"

PULL PLATES

Fastener Packs for Door Pulls

TYPE	DESCRIPTION
1	2 ea. 1/4-20 x 2-1/4" FH MS, 2 ea. 1/4" Finish Washers.
1HD	2 ea. 5/16-18 x 2-1/4" FH MS, 2 ea. 5/16" Finish Washers.
5	2 ea. 1/4-20 x 2-3/4" Undersize Head FH MS, 2 ea. 1/4-20 x 3/16" Set Screws, 2 ea. 1/4" x 1/2" Tapered Steel Sleeves, 2 ea. 1/4-20 x 1/2" Threaded Insert.
5HD	2 ea. 5/16-18 x 2-3/4" Undersize Head FH MS, 2 ea. 1/4-20 x 1/4" Set Screws, 2 ea. 5/16" x 1/2" Steel Sleeves, 2 ea. 1/4-20 x 1/2" Threaded Insert.
6	2 ea. 1/4-20 x 1" Undersize Head FH MS, 2 ea. 2 ea. 1/4-20 x 3/16" Set Screws, 2 ea. 1/4" x 1/2" Tapered Steel Sleeves.
6HD	2 ea. 5/16-18 x 1" Undersize Head FH MS, 2 ea. 1/4-20 x 1/4" Set Screws, 2 ea. 5/16" x 1/2" Tapered Steel Sleeves.
6R	2 ea. 1/4-20 x 1-3/4" Undersize Head FH MS, 2 ea. 1/4-20 x 3/16" Set Screws, 2 ea. 1/4" x 1/2" Tapered Steel Sleeves, 2 ea. 1/4-20 Rivnut Inserts.
6RHD	2 ea. 5/16-18 x 1-5/8 Undersize Head FH MS, 2 ea. 1/4-20 x 1/4" Set Screws, 2 ea. 5/16" x 1/2" Tapered Steel Sleeves 2 ea. 5/16-18 Rivnut Inserts
8	2 ea. 1/4-20 x 1-5/8" Undersize Head FH MS, 2 ea. 1/4-20 x 3/16" Set Screws, 2 ea. 1/4" x 1/2" Tapered Steel Sleeves, 2 ea. 1/4 - 20 Knife Thread Inserts
8HD	2 ea. 5/16-18 x 1-5/8 Undersize Head FH MS, 2 ea. 1/4-20 x 3/16" Set Screws, 2 ea. 5/16" x 1/2" Tapered Steel Sleeves, 2 ea. 5/16 - 18 Knife Thread Inserts.
12	2 ea. 1" DIA Head, 1/4-20 x 2-1/4" Decorative Cap Bolts.
12HD	2 ea. 1" DIA Head, 5/16-18 x 2-1/4" Decorative Cap Bolts.
13	2 ea. 1/4-20 x 1-3/4" Undersize Head FH MS, 2 ea. 1/4-20 x 3/16" Set Screws, 2 ea. 1/4" x 1/2" Tapered Steel Sleeves, 2 ea. Bushings for 1/2" Thick Glass Door, 4 ea. Neoprene Washer
13HD	2 ea. 5/16-18 x 1-3/4" Undersize Head FH MS, 4 ea. 1/4-20 x 1/4" Set Screws, 2 ea. 5/16" x 1/2" Tapered Steel Sleeves, 2 ea. Bushings for 1/2" Thick Glass Door, 4 ea. Neoprene Washers.
15	2 ea. 1" DIA Head 1/4-20 x 1-1/8" Decorative Cap Bolts, 2 ea. Neoprene Bushings for 1/2" Thick Glass Door, 4 ea. Neoprene Washers.
15HD	2 ea. 1" DIA Head 1/4-20 x 1-1/8 Decorative Cap Bolts, 2 ea. Neoprene Bushings for 1/2" Thick Glass Door, 4 ea. Neoprene Washers.

MOUNTING OPTIONS FOR OFFSET PULL HANDLES- PUSH BAR SETS		MOUNTING TYPES	
TYPE	DESCRIPTION	COMMON END	FREE END
S	Std Thru Bolt For 1-3/4" Metal, Composite or Wood Doors (Default)	5HD	1HD
D	Decorative Thru Bolt for 1-3/4" Metal, Composite or Wood Doors	5HD	12HD
M	Concealed for 1-3/4" Metal Doors	5HD	6HD
W	Concealed for 1-3/4" Composite or Wood Doors	5HD	15HD
G	Decorative Thru Bolt for 1/2" Glass Doors	13HD	8HD