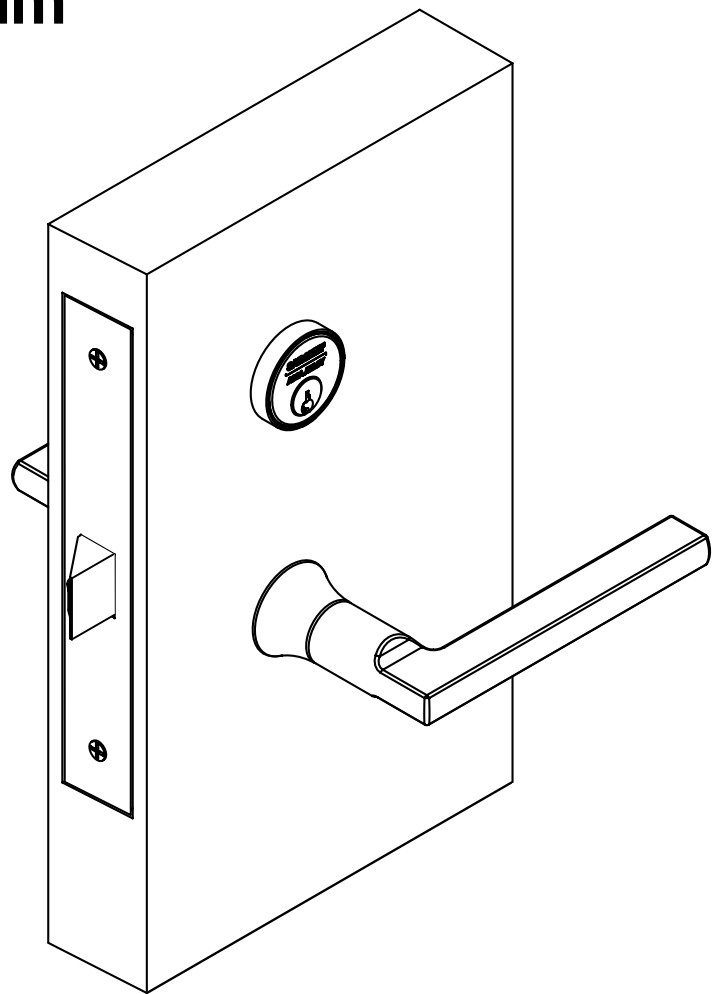


# R8200 Series

## Simpli™ Roseless Trim

### Mortise Lock



#### **Warnings & Notes**

All trim components shown will vary by function number Trim one-side functions - refer to instruction sheet A8031

Screw Pack with screws for lockbody, fronts and strike screws (part #77-4236)

Trim both side pack includes inside mounting plate assembly, spindle, through-bolt screws and set screw

Trim one side pack includes inside mounting plate assembly, spindle, through-bolt screws, set screw and trim one side plate

#### **⚠ WARNING**

This product can expose you to lead which is known to the state of California to cause cancer and birth defects or other reproductive harm. For more information go to [www.P65warnings.ca.gov](http://www.P65warnings.ca.gov).

# 1

## Parts List

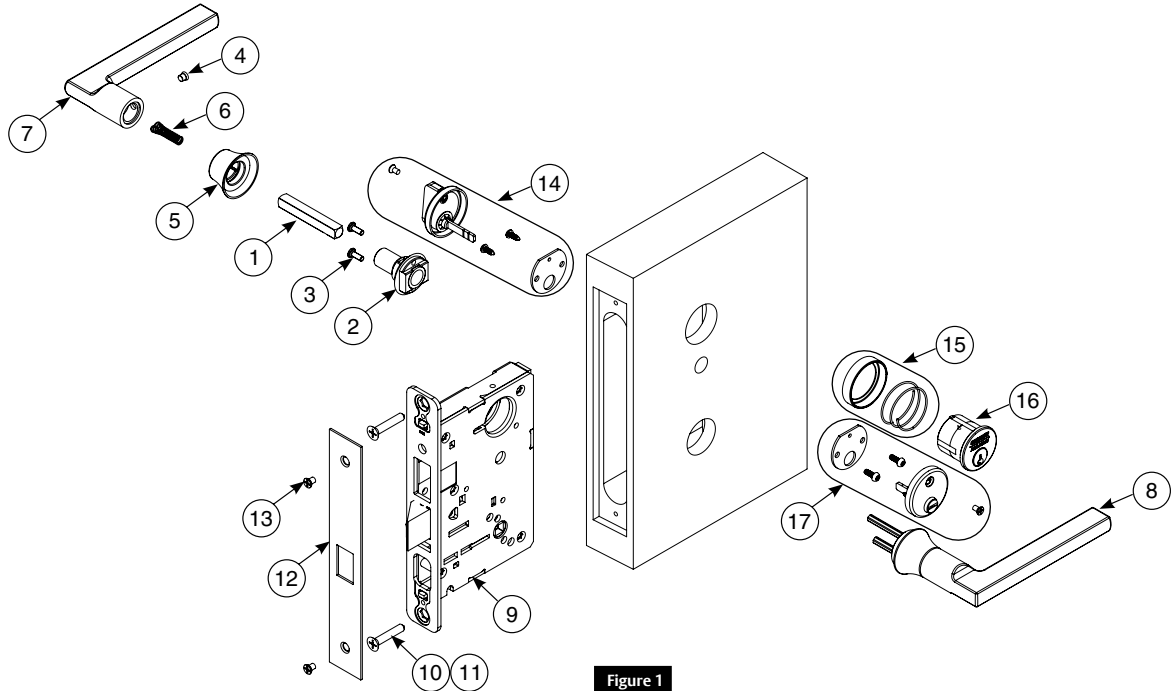


Figure 1

Part No	Description	Req.
1	82-0371 Spindle	2
2	82-4675 Mounting plate assembly	1
3	01-9376 #8-32 x 5/8 machine screw with #6 head	2
4	82-1038 Handle screw	1
5	- Lever base	2
6	82-0347 Spindle spring	2
7	- Inside lever	1
8	- Outside lever	1
9	- Lockbody (various functions)	1
10	01-1019 Machine screw #12-24 x 1/2"	2
11	01-2299 Wood screw #12 x 1-1/4"	2
12	- Outside front plate, varies by function	1
13	01-1028 Front screw #8-32 x 1/4"	2
14	- Turn lever pack - 130kb	1
15	- Cylinder collar/rosette (size varies) 1KB (or larger)	1
16	- Cylinder (various key systems)	1
17	- 184 x design emergency release assembly	1

### Tools Required

- Phillips screwdriver
- T20 Torx
- Lever base tool (provided)

## 2

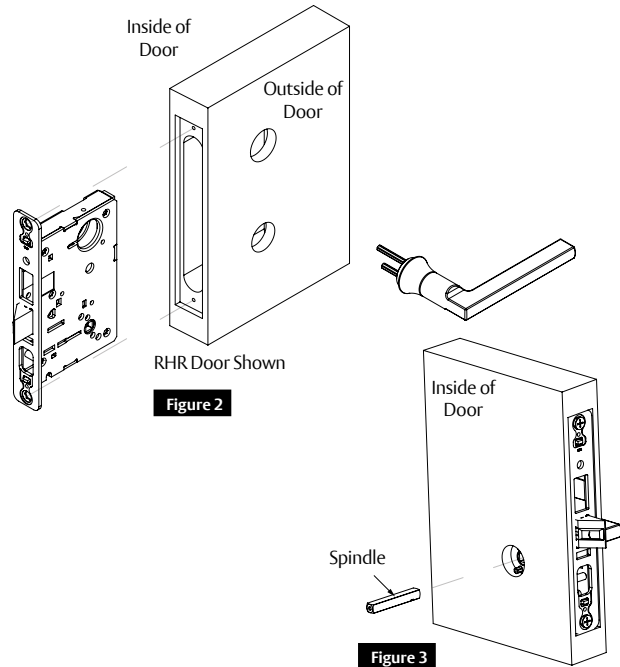
### Install Lockbody, Outside Lever Assembly and Spindle

**IMPORTANT:**

Check template A4647 to prep door for function holes, size and location. Verify strike location according to template. Clean out door pocket and door edge of any debris. Make sure handing of lock (latch and locking piece) match handing of door.

NOTE: Keep door open during installation.

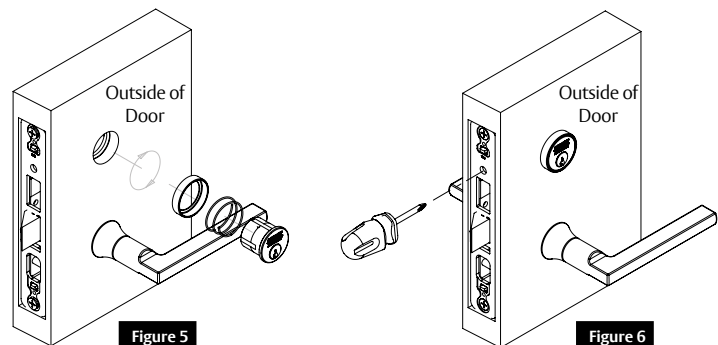
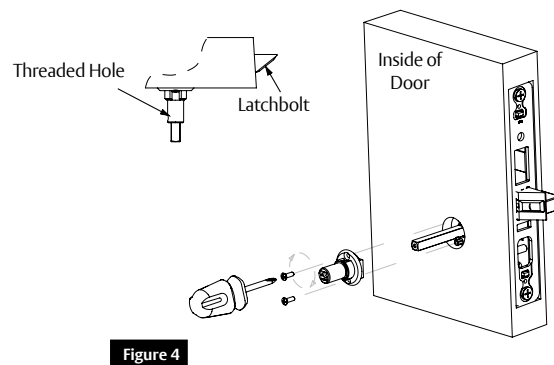
1. Slide lockbody into door. (Figure 2)
2. Slide outside lever assembly through door and lockbody and hold. (Figure 2)
3. Insert spindle into lockbody hub. (Figure 3)



## 3

### Install Inside Adapter and Cylinder

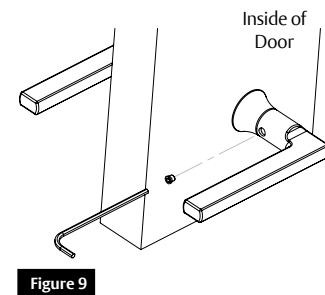
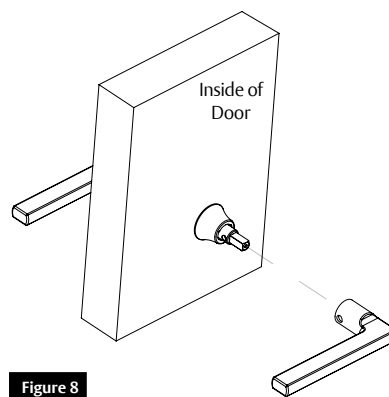
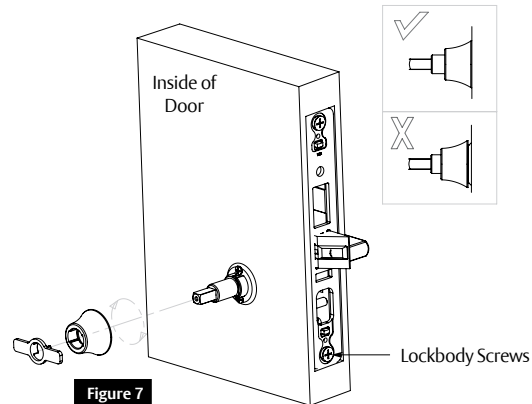
1. Slide inside adapter over spindle. Verify threaded hole in adapter faces hinge. (Figure 4)
2. Sliding cylinder through spring and collar, thread into lockbody until flush with collar. Verify logo is straight and at top. (Figure 5)
3. Secure cylinder in lockbody using access hole just above deadbolt opening. (Figure 6)



#### 4

### Secure Lockbody. Attach Collar. Install Inside Lever.

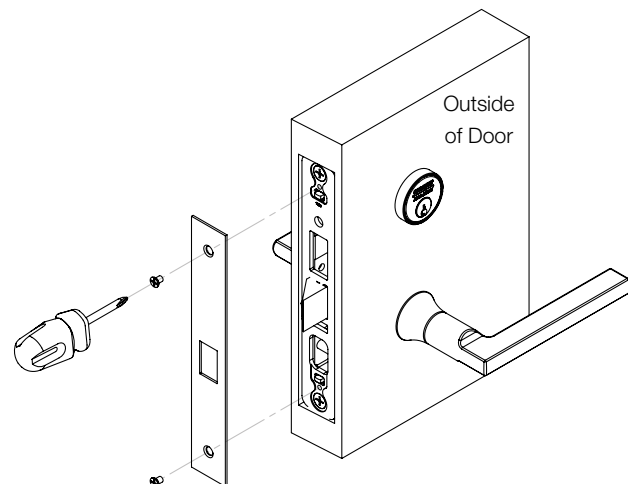
1. Secure lockbody in door with two (2) wood screws #12 x 1-1/4" or two (2) #12-24 x 1/2" machine screws. (Figure 7)
2. Attach collar to adapter by rotating clockwise using tool supplied. Assemble flush with door. (Figure 7)
3. Slide lever over spindle and adapter. (Figure 8)
4. Secure with set screw. (Figure 9)



#### 5

### Install Strike Plate and Strike. Test Operation.

1. Attach outside front with two (2) #8-32 x 1/4" flat head screws. (Figure 10)
2. Position and secure strike in frame with screws provided.
3. Test lock function, both levers and cylinder prior to closing door.



### Installation Instructions

#### 6

#### 8200 Multi-function Options (04, 05, 06, 13, 31, 36, 37, 38)

How to Change Function of Lock:

Green catch screw must be located as designated on lock case to create desired function. (Figure 11)

Three (3) locations:

- 05, 37 and 38 function (15 function in unlocked position)
- 04, 06, 13 and 31 functions
- 36 function

NOTE: When moving green catch screw to 04, 06, 13 and 31 functions, hub position must be at 45° as shown on lock case.

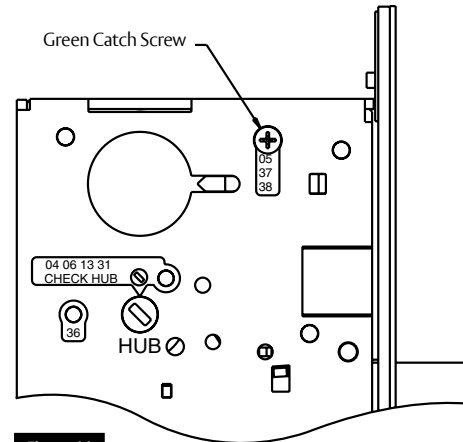


Figure 11

\*See How to Change Hand of Lock, page 7.

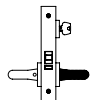
#41 Cylinder is standard for both single and double cylinder functions for 1-3/4" thick door.

NOTE: Trim one-side functions always require an inside trim assembly which can be used on inside or outside of door.

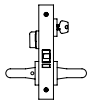
Items Needed To Create Function						
Function	Outside Lever	Inside Lever	Trim One Side Kit	Outside Cylinder	Inside Cylinder	Thumb Turn
04	X	X		X		
05	X	X		X		X
06		X	X	X		
13		X	X			
15	X	X				
31		X	X	X		
36		X	X	X		
37	X	X		X		
38	X	X		X	X	

## 7

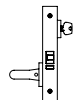
## R8200 Series Function List



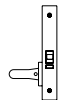
04/F07  
Storeroom  
closet lock



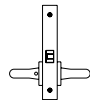
05/F04  
Office or  
entry lock



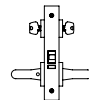
06  
Storeroom or  
service lock



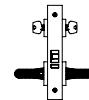
13/F31  
Communicating  
or exit lock



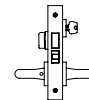
15/F01  
Passage or closet  
latch



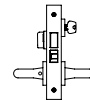
16/F09  
Apartment or exit  
or public toilet  
lock



17/F30  
Asylum or  
institutional lock



24/F21  
Room door  
lock



25/F13  
Dormitory or  
exit lock



26/F14  
Store door lock



27  
Closet or  
storeroom lock



28  
Dummy trim  
dead lock



29  
Dummy trim  
dead lock



30  
Dummy trim  
dead lock



31  
Utility  
lock



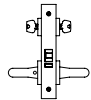
35  
Storeroom  
lock



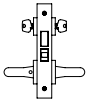
36  
Closet  
lock



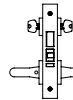
37/F05  
Classroom  
lock



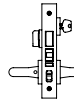
38/F32  
Classroom  
security intruder  
latchbolt lock



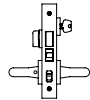
39/F33  
Classroom  
security intruder  
deadbolt lock



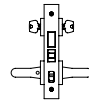
40/41/F34  
Classroom  
security intruder  
deadbolt lock



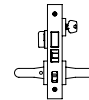
43/F20  
Apartment  
corridor door lock



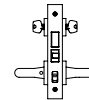
45/F12  
Dormitory or  
exit lock



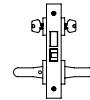
46/F11  
Dormitory or  
exit lock



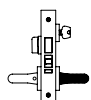
47/F08/F10  
Front door lock  
or apartment  
corridor lock



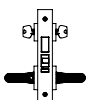
48/F35  
Store door lock



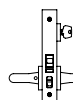
49  
Security deadbolt



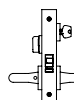
50/51F15  
Hotel guest  
lock/Store room  
deadbolt lock



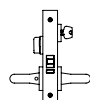
52  
Institution  
deadbolt lock



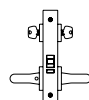
55/F04  
Office or  
entry lock



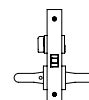
56  
Inner entry lock



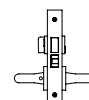
57/58  
Institutional  
privacy lock



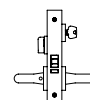
59  
Double locking



65/F22  
Privacy bedroom  
or bath lock



66/F19  
Privacy bedroom  
or bath lock



67/F26  
Institutional  
privacy lock



68/F02  
Privacy bedroom  
or bath lock



70/71  
Electrical  
70: Fail safe  
71: Fail secure



72/73  
Electrical  
72: Fail safe  
73: Fail secure



93  
Dummy trim



94  
Dummy trim



95  
Single trim  
dummy lock



96  
Double trim  
dummy lock



97  
Active trim  
dummy lock

NOTE: Shaded levers are rigid at all times

## 8

### How to Change Hand of Lockbody

NOTE: Red surface of locking piece must face secure (keyed/locked) side of door.

#### To rotate locking piece:

1. Position lockbody with red surface of locking piece visible. (Figure 12)
2. Insert blade type screwdriver into locking piece slot to rotate locking piece.
3. Push locking piece toward back of lockbody and rotate 180° until RED surface shows on opposite side.

#### IMPORTANT:

04, 06, 13 and 31 functions require:

1. Remove green catch screw.
2. Rotate hub 45° to vertical position.
3. Rotate locking piece for required hand.

NOTE: Red surface faces locked side of door.

4. Rotate hub to original 45° position as shown on lock case.
5. Reinstall green catch screw.

NOTE: Beveled surface of latch must face strike. Deadlatch is self adjusting.

#### To change hand of latch:

1. Insert flat blade screwdriver into spade shaped slot. (Figure 13)
2. Rotate screwdriver 90° to push latch out until back of latch clears lock front.
3. Rotate latch 180°. Latch will re-enter lockbody. (Figure 14)

NOTE: Latch cannot be unscrewed.

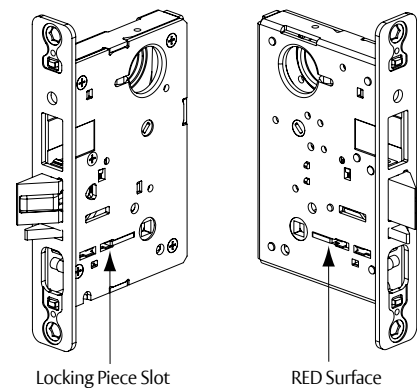
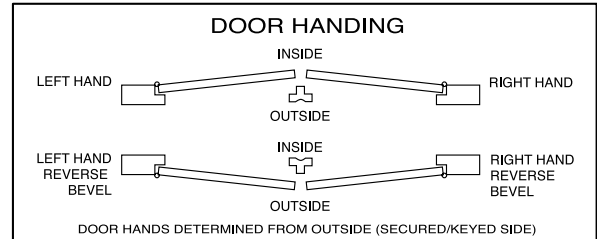


Figure 12

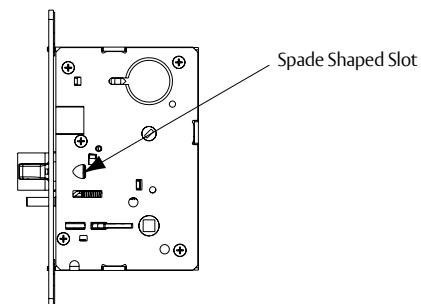


Figure 13

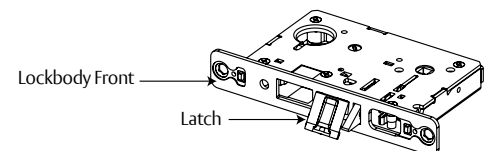


Figure 14

The ASSA ABLOY Group is the global leader in access solutions. Every day, we help billions of people experience a more open world.

ASSA ABLOY Opening Solutions leads the development within door openings and products for access solutions in homes, businesses and institutions. Our offering includes doors, frames, door and window hardware, locks, perimeter fencing, access control and service.

**SARGENT®**

**ASSA ABLOY**

SARGENT Manufacturing Company  
100 Sargent Drive  
New Haven, CT 06511 USA  
800-727-5477  
[www.sargentlock.com](http://www.sargentlock.com)

Founded in the early 1800s, SARGENT® is a market leader in locksets, cylinders, door closers, exit devices, electro-mechanical products and access control systems for new construction, renovation, and replacement applications. The company's customer base includes commercial construction, institutional, and industrial markets.

Copyright © 2010, 2020, SARGENT Manufacturing Company. All rights reserved. Reproduction in whole or in part without the express written permission of SARGENT Manufacturing Company is prohibited..

A8030D  
02/20