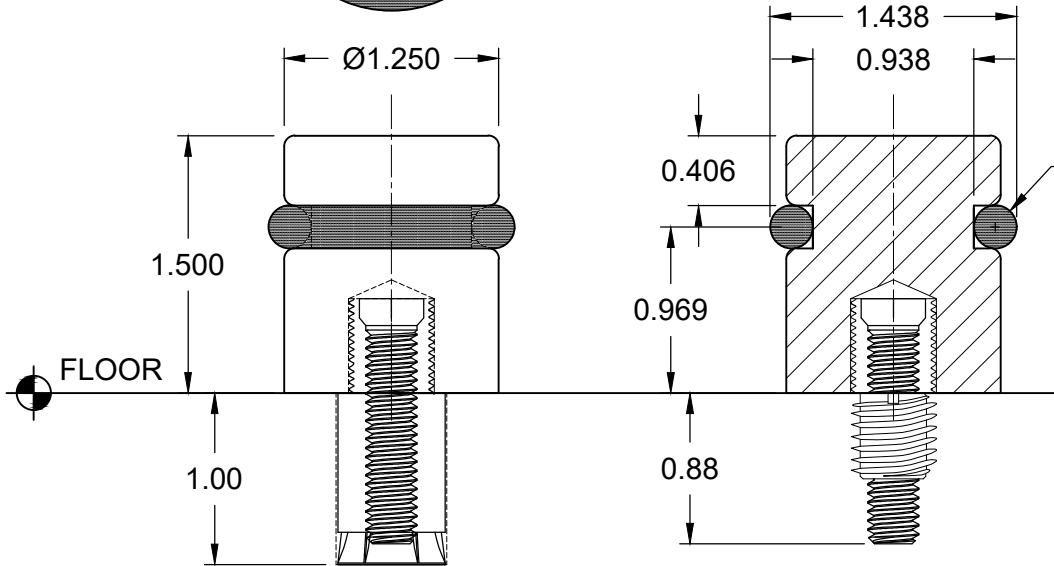
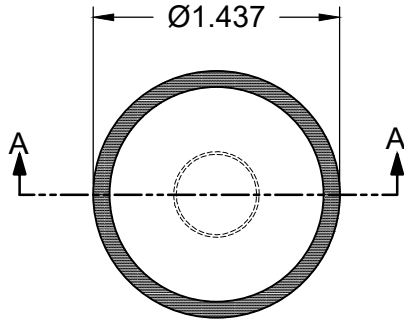
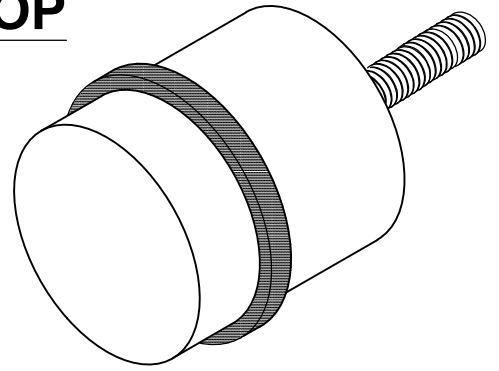


# RM - 446 DOOR STOP



SECTION A-A  
CEMENT FLOOR  
APPLICATION

WOOD FLOOR  
APPLICATION

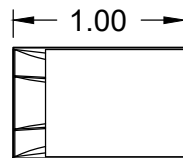
Ø0.25  
80 DUROMETER  
BUMPER



(2) 1/2-13 x 1/2", MOD.  
THREADED INSERT  
5/16-18 INTERNAL  
THREAD SIZE S.S.



(1) 5/16-18 x 1-1/2",  
MODIFIED PHILLIPS  
FLAT HEAD MACHINE  
SCREW S.S.



(1) 5/8" Ø THREADED ANCHOR FOR  
CONC. BLOCK AND BRICK 5/16-18  
INTERNAL THREAD SIZE

**NOTE:**

1. ALL DIMENSIONS ARE IN INCHES.
2. DO NOT SCALE DRAWING.
3. SCREWS:
  - 5/16-18 x 1-1/2" MACHINE SCREW
  - 1/2-13 x 1/2" THREADED INSERT
  - 5/8"Ø x 1" LAG SHIELD FOR CONCRETE.
4. MATERIAL :
  - STAINLESS STEEL
  - 80 DUROMETER BUMPER (AVAILABLE IN STANDARD GREY. BLACK-OPTIONAL)

RM 446 DOOR STOP-03.DWG



www.abhmfg.com  
E-mail: abhinfo@abhmfg.com  
Architectural Builders Hardware Mfg., Inc.  
1222 Ardmore Ave., Itasca, IL 60143  
630.875.9900; FAX 800.9FAXABH (932.9224)

**RM 446 DOOR STOP**

© 2020 ABH Mfg., Inc.  
printed in USA

PAGE 1 OF 1  
REVISED 02-18-21