

# 1440/3440

## STANDARD FEATURES

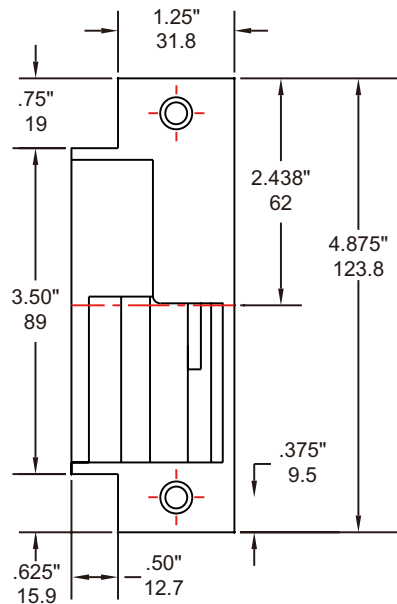
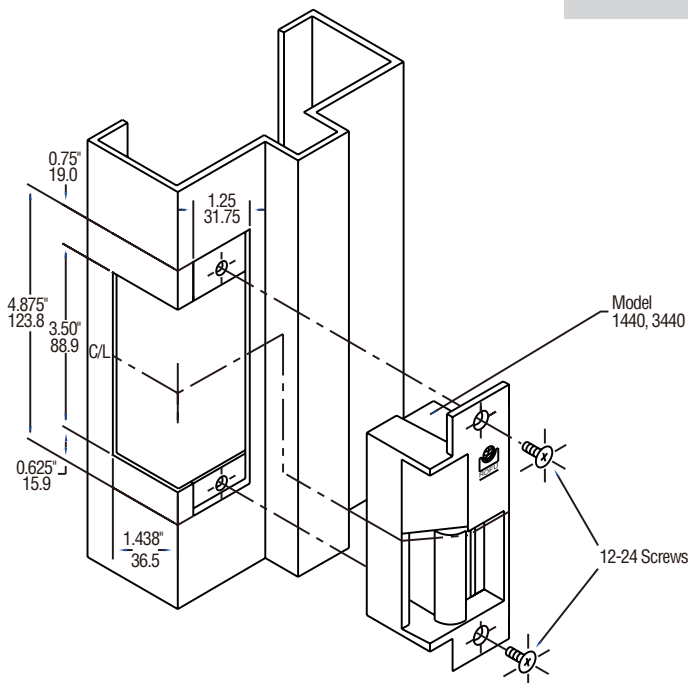
- **Model 1440** - Fail-Secure  
**Model 3440** - Fail-Safe
- ANSI/BHMA A 156.5 (1 1/4" x 4 7/8"), for use with cylindrical and mortise locksets
- Stainless steel, corrosion-resistant faceplate, suitable for hollow metal, aluminum or wood frames, fits cutout specification A 115.1 (with slight jamb modification)
- Keeper depth - 5/8" maximum latch projection possible with 1/8" door/frame clearance - 3/4" Keeper opening starts at center line
- **Handed - please specify RH or LH**
- Limited warranty - 36 months



## SPECIFICATION

|                        |                              |                 |
|------------------------|------------------------------|-----------------|
| <b>TAMPER STRENGTH</b> | 1700LB (765KG)               |                 |
| <b>VOLTAGE</b>         | 1440-01 RH                   | 8-16VAC/3-6 VDC |
|                        | 1440-01 LH                   | 8-16VAC/3-6 VDC |
|                        | 1440-05 RH                   | 12 VAC/VDC      |
|                        | 1440-05 LH                   | 12 VAC/VDC      |
|                        | 1440-08 RH                   | 24 VAC/VDC      |
|                        | 1440-08 LH                   | 24 VAC/VDC      |
|                        | 3440-06 RH                   | 12 VDC          |
|                        | 3440-06 LH                   | 12 VDC          |
|                        | 3440-09 RH                   | 24 VDC          |
| 3440-09 LH             | 24 VDC                       |                 |
| <b>FINISH</b>          | US32D, US3 (plated) or US10B |                 |

## SPECIFICATION DETAILS



ELECTROMAGNETS

ELECTRIC STRIKES

EXIT DEVICES

MISC. ACCESS CONTROL