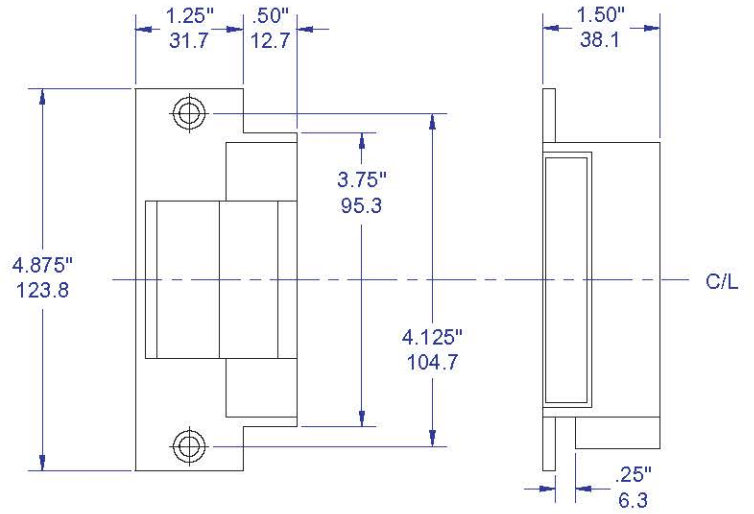
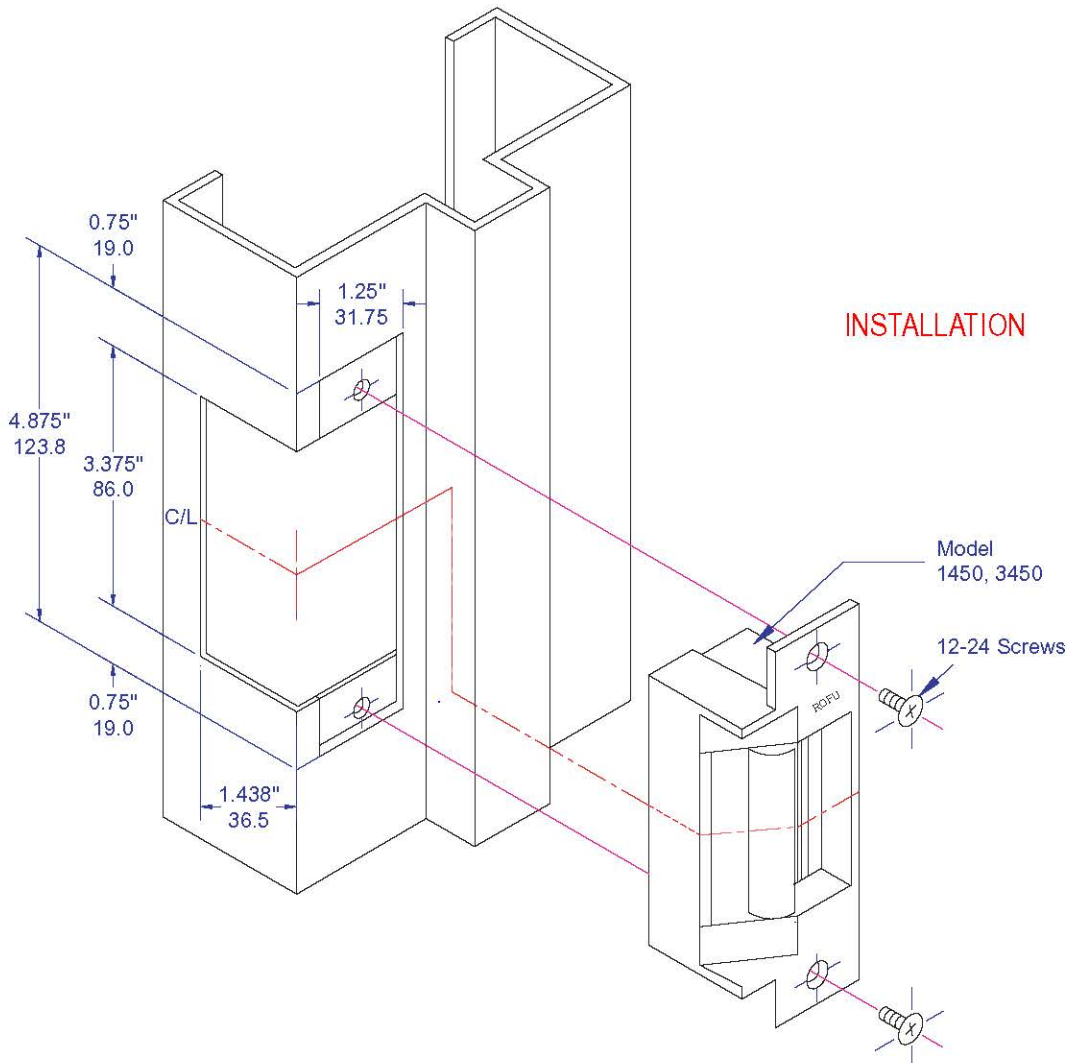




**LINE ART FOR 1450/3450**



**HOLLOW METAL  
JAMB PREPARATION**



NOT TO SCALE - TECHNICAL DATA SUBJECT TO CHANGE WITHOUT NOTICE