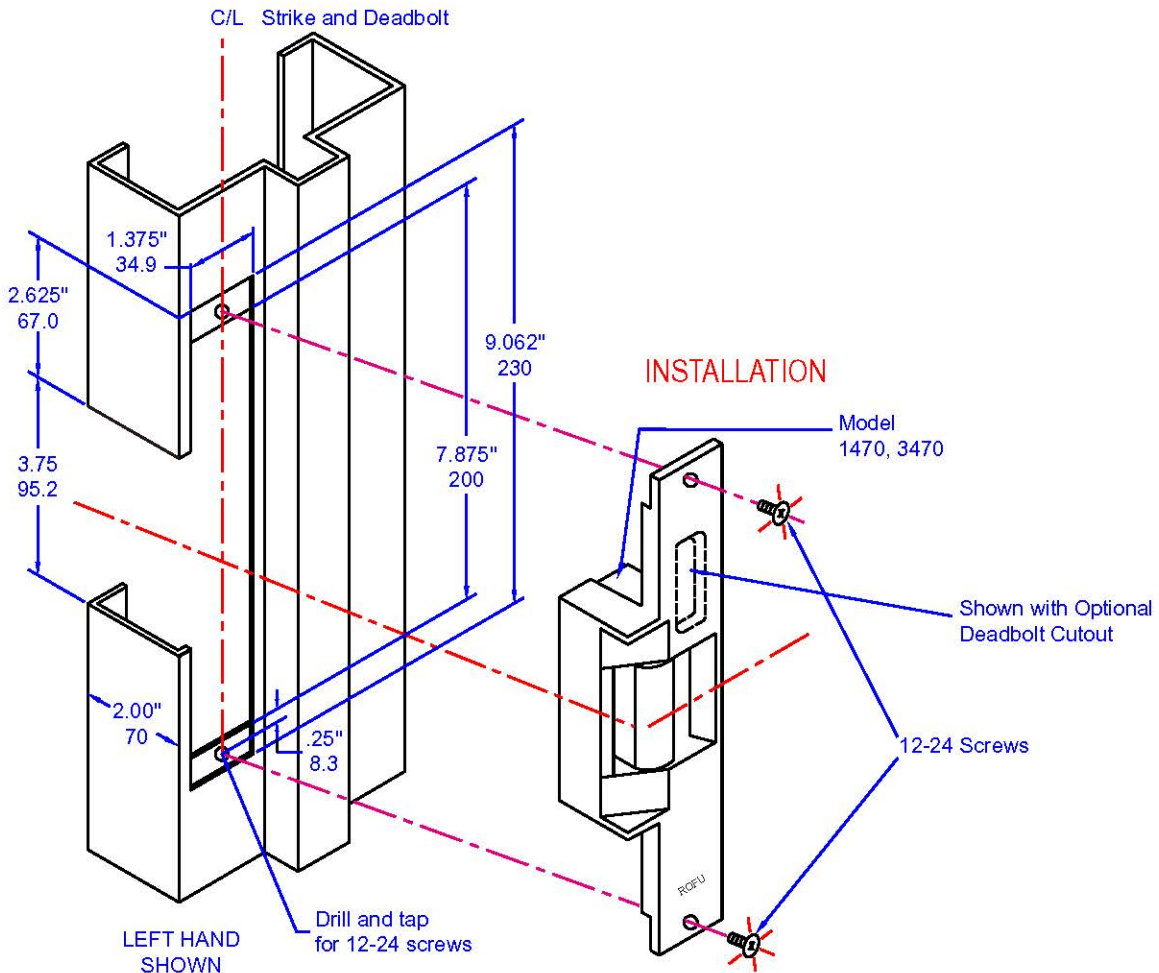
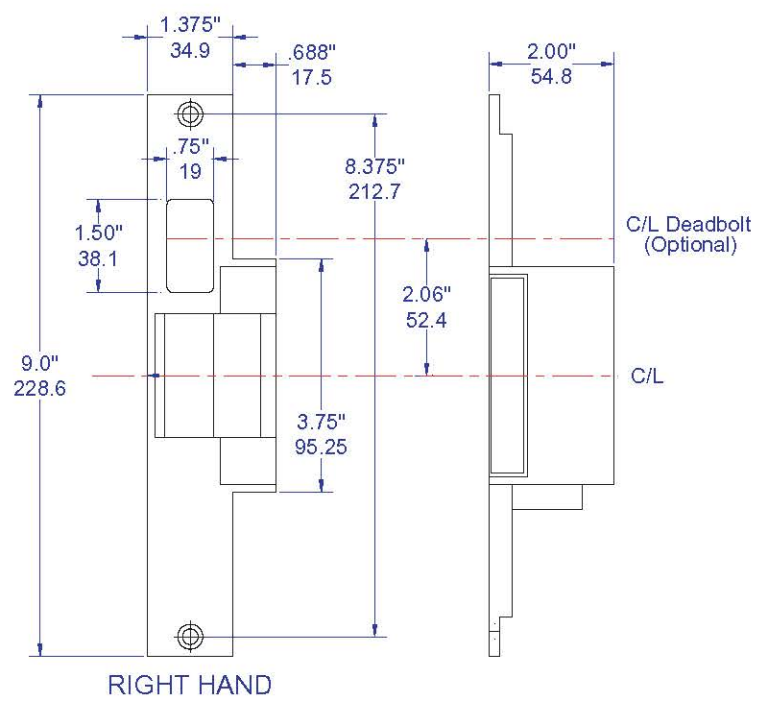




LINE ART FOR 1470/3470

**HOLLOW METAL
JAMB PREPARATION**



NOT TO SCALE - TECHNICAL DATA SUBJECT TO CHANGE WITHOUT NOTICE