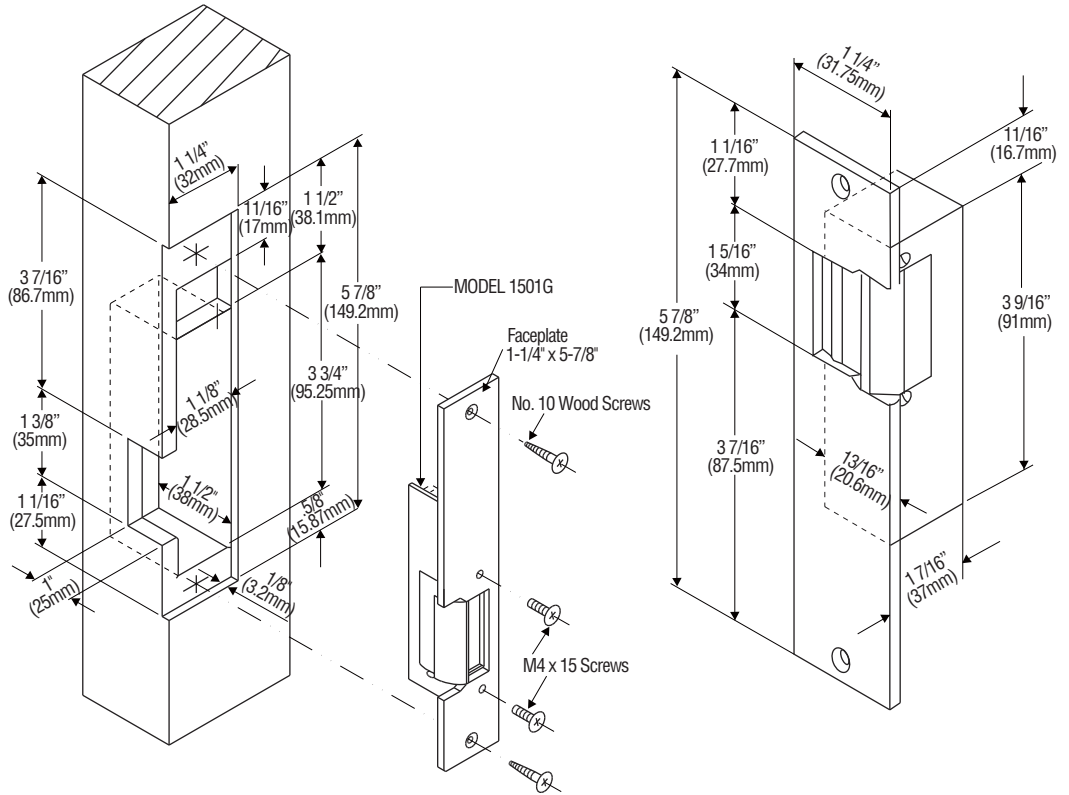




ROFU 1501G Series for Wood Jamb

Installation Instructions

1. Prepare door jamb per drawing.
2. Connect wires coming from the low voltage side of the transformer to terminal block of door strike.
3. Install electric door strike to jamb by attaching with #10 screws.



ROFU Security International Corp.
 6818 S 220th ST
 Kent, WA 98032
 (253) 922-1828
 www.ROFU.com
 OrderEntry@ROFU.com

Note: Template dimensions (not to scale) and technical data are subject to change without notice.
 Dimensions in inches and millimeters.

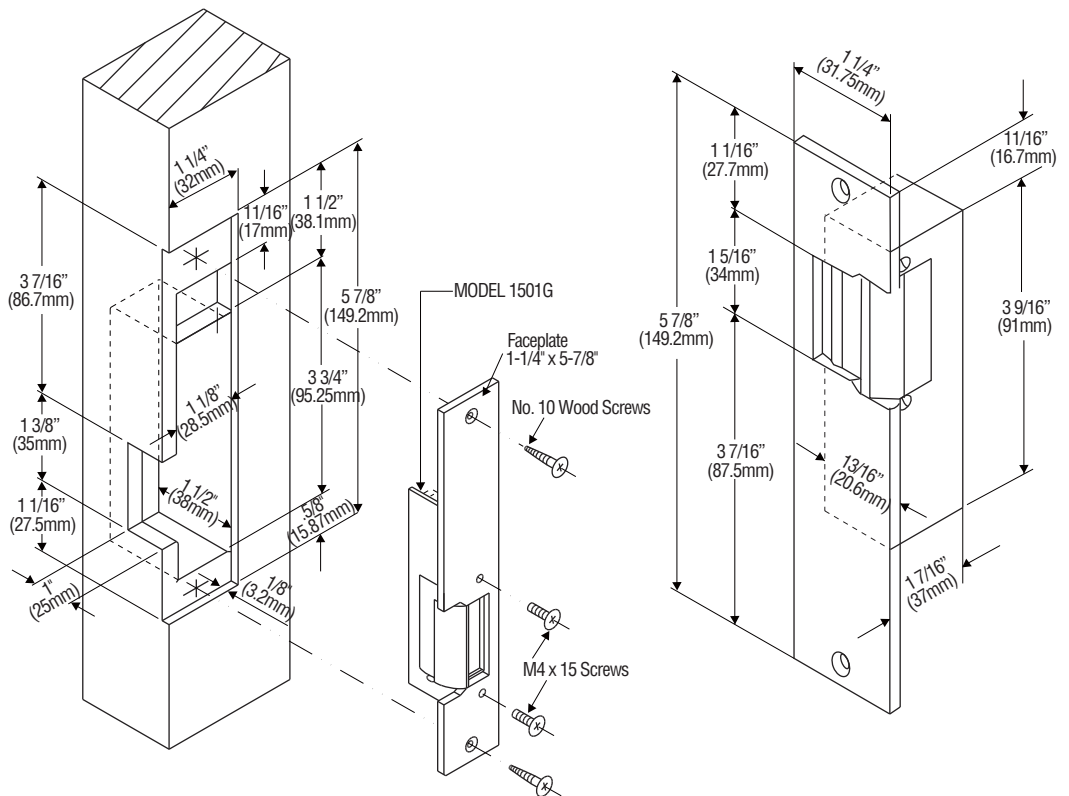
Copyright © ROFU Security International Corp. All rights reserved.
 ROFU-1501G Published on: 2019.03.08



ROFU 1501G Series for Wood Jamb

Installation Instructions

1. Prepare door jamb per drawing.
2. Connect wires coming from the low voltage side of the transformer to terminal block of door strike.
3. Install electric door strike to jamb by attaching with #10 screws.



ROFU Security International Corp.
 6818 S 220th ST
 Kent, WA 98032
 (253) 922-1828
 www.ROFU.com
 OrderEntry@ROFU.com

Note: Template dimensions (not to scale) and technical data are subject to change without notice.
 Dimensions in inches and millimeters.

Copyright © ROFU Security International Corp. All rights reserved.
 ROFU-1501G Published on: 2019.03.08