

# 1512

## STANDARD FEATURES

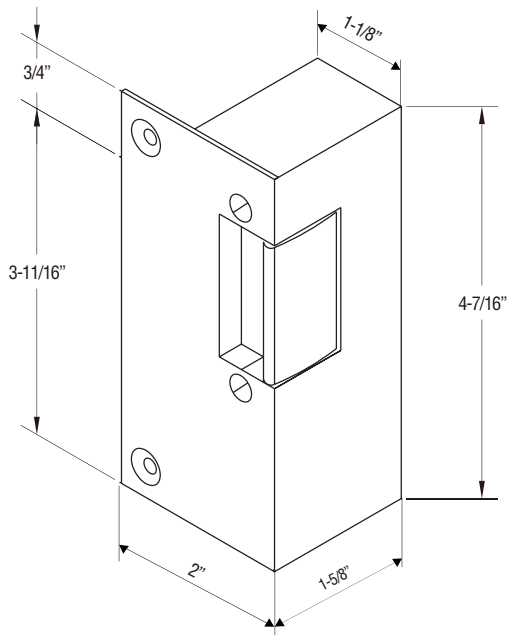
- Fail-secure, faceplate size 4 7/16" x 1 5/8" x 1 5/32"
- Keeper depth - 5/8" maximum latch projection possible with 1/8" door/frame clearance - 3/4"
- Steel faceplate, suitable for hollow metal, aluminum or wood frames
- Available as Side Mount or Front Mount
- Limited warranty - 12 months



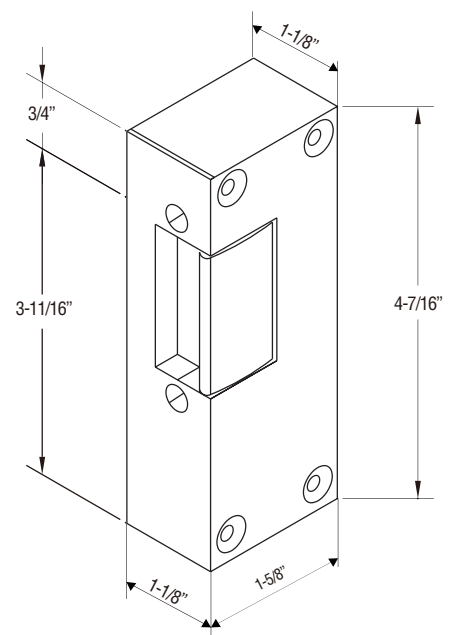
## SPECIFICATION

<b>TAMPER STRENGTH</b>	1000 LB (454 KG)
<b>VOLTAGE</b>	1512-01 8-16 VAC/3-6 VDC 1512-05 12 VAC/VDC 1512-08 24 VAC/VDC
<b>FINISH</b>	Gray
<b>MOUNTING</b>	Side Mount Front Mount

## SPECIFICATION DETAILS



**1512**  
SIDE MOUNT



**1512-F**  
FRONT MOUNT