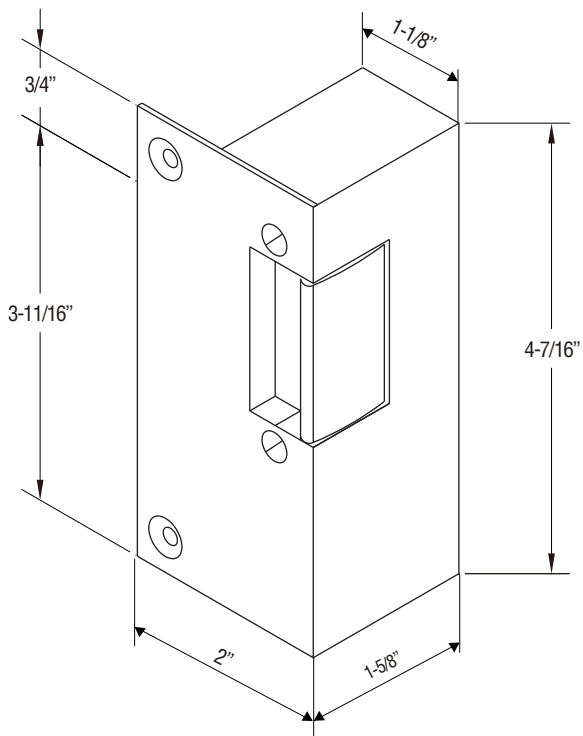
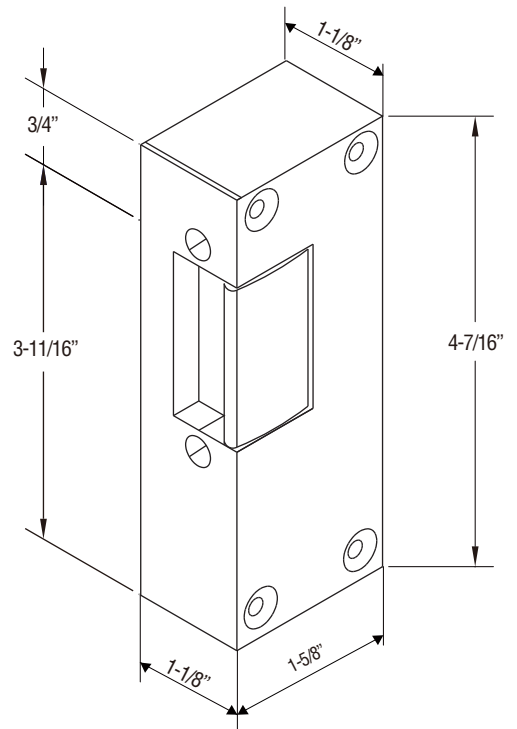




LINE ART FOR 1512



**1512
SIDE MOUNT**



**1512-F
FRONT MOUNT**

NOT TO SCALE - TECHNICAL DATA SUBJECT TO CHANGE WITHOUT NOTICE