



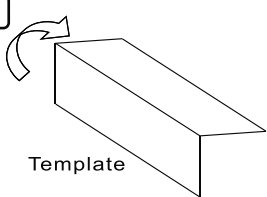
Installation Instructions for Slide Mount Magnetic Locks

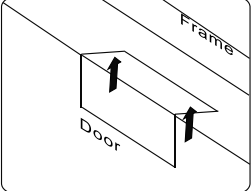
8606, 8608 and 8612 Series
*See page 2 for model specifications

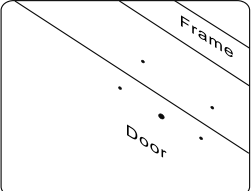
ROFU Security International Corp.
10029 S. Tacoma Way, E-11
Lakewood, WA 98499 USA
1-800-255-7638 (1-800-ALL-ROFU)
www.ROFU.com
OrderEntry@rofu.com

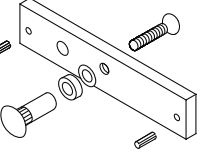


For Outswing Doors

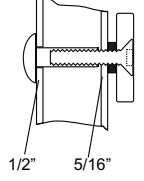
1  Find the paper installation template included with the magnet (you will need this).
Fold it on the dotted line.

2  Place the folded template in the proper position on the door/jamb and mark the holes you will cut for your magnet and armature plate. (Using tape will help)

3  Drill the holes according to the marks you made.
(Check Twice! Drill Once!)

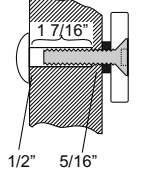
4 **Armature Plate**  Install the armature plate as shown in the drawing to the left.
The actual dimensions of the holes are illustrated below.

Hollow Metal Door



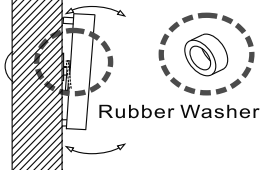
1/2" 5/16"

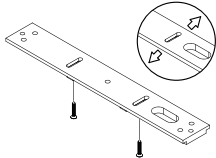
Solid Door

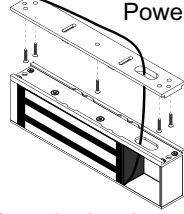


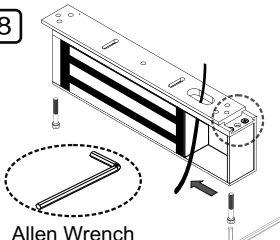
1 7/16" 1/2" 5/16"

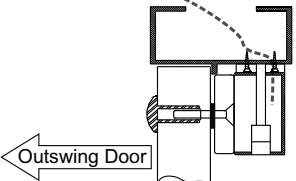
Drill a 5/16" (8mm) hole through the door for the armature side.
For the sexnut side (secure side), enlarge the hole to 1/2" (12.7mm) for the width of the sexnut.
On wood doors the depth of the sexnut is 1 7/16" (36mm).

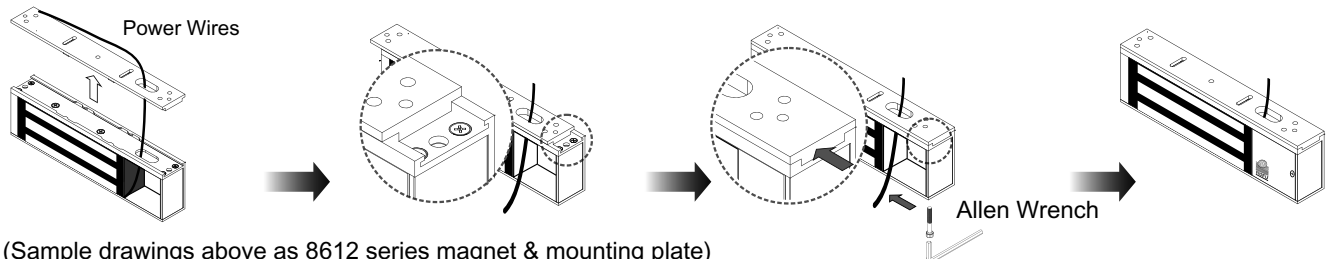
5  The rubber washer helps the armature plate to pivot. As it should NOT be tightened all the way to door.

6 **Adjustable**  Attach the mounting plate with the provided Phillips screws. Then the position of the mounting plate should still be adjustable.
(Sample drawing as 8612 series mounting plate)

7 **Power Wiring**  Attach the mounting plate to the jamb with included mounting Phillips screws as shown.
(Sample drawing as 8612 series magnet & mounting plate)

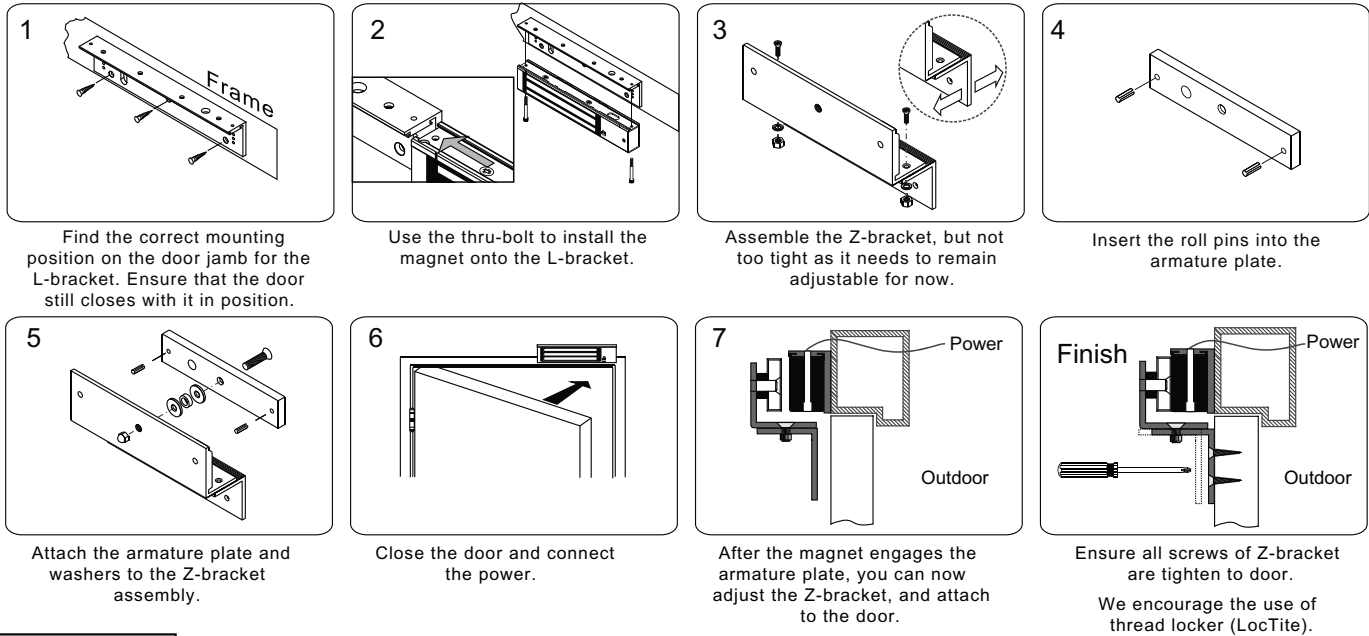
8  Use the Allen wrench and thru-bolts to tighten the magnet to the mounting plate.
Allen Wrench

9 **Power**  Connect the power and test the holding force. Add washers if there is still a gap between the magnet and armature plate.
Outswing Door



(Sample drawings above as 8612 series magnet & mounting plate)
(1) Pass the wiring through the mounting plate and into the wiring hole at the top of the magnet and into the PCB area.
(2) Slide the magnet onto the mounting plate.
(3) Once into proper position, tighten the thru-bolts from the bottom of the magnet into the mounting plate using the included Allen wrench.

ROFU Z-bracket for Inswing Doors



Specifications

- Voltage: 12/24 VDC Selectable
- Current Draw: 500 mA /12VDC, 250 mA / 24VDC
- Holding Force: 600 lbs, 600lbs x 2, 800lbs, 800lbs x 2, 1200 lbs, 1200 lbs x 2
- Dimensions:

8606-B/BD: (600 lbs)

Magnet: 9 13/16" x 1 13/16" x 1" (250 x 45.5 x 25mm)
 Armature Plate: 7 1/4" x 1 1/2" x 1/2" (185 x 38 x 12mm)

8606-2-BD: (600 lbs x 2)

Magnet: 19 11/16" x 1 13/16" x 1" (500 x 45.5 x 25mm)
 Armature Plates (each side): 7 1/4" x 1 1/2" x 1/2" (185 x 38 x 12mm)

8608-LC/B/BD: (800 lbs)

Magnet: 10 7/16" x 2 1/16" x 1 1/8" (265 x 52 x 29mm)
 Armature Plate: 7 1/4" x 1 3/4" x 9/16" (185 x 45 x 14mm)

8608-2-B/BD: (800 lbs x 2)

Magnet: 20 7/8" x 2 1/16" x 1 1/8" (530 x 52 x 29mm)
 Armature Plates (each side): 7 1/4" x 1 3/4" x 9/16" (185 x 45 x 14mm)

8612-LC/B/BD (1200 lbs)

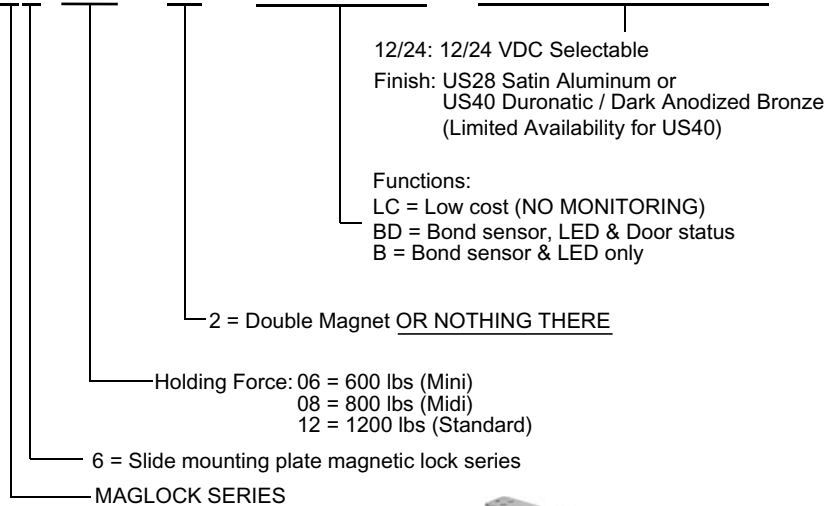
Magnet: 10 1/2" x 2 13/16" x 1 9/16" (267 x 71 x 40mm)
 Armature Plate: 7 1/4" x 2 3/8" x 5/8" (185 x 61 x 16mm)

8612-2-B/BD: (1200 lbs x 2)

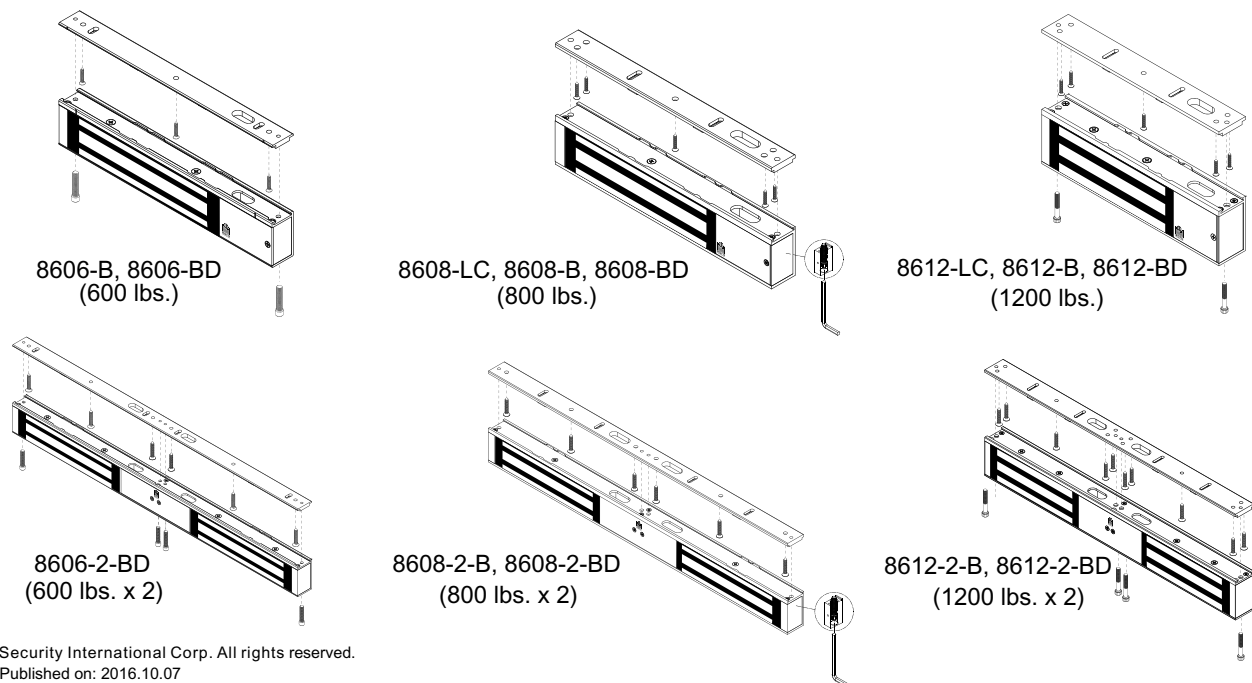
Magnet: 21" x 2 13/16" x 1 9/16" (533 x 71 x 40mm)
 Armature Plates (each side): 7 1/4" x 2 3/8" x 5/8" (185 x 61 x 16mm)

Model Changes to ROFU Electromagnetic Locking Devices

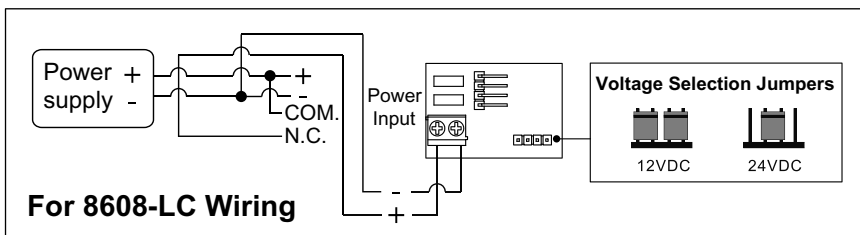
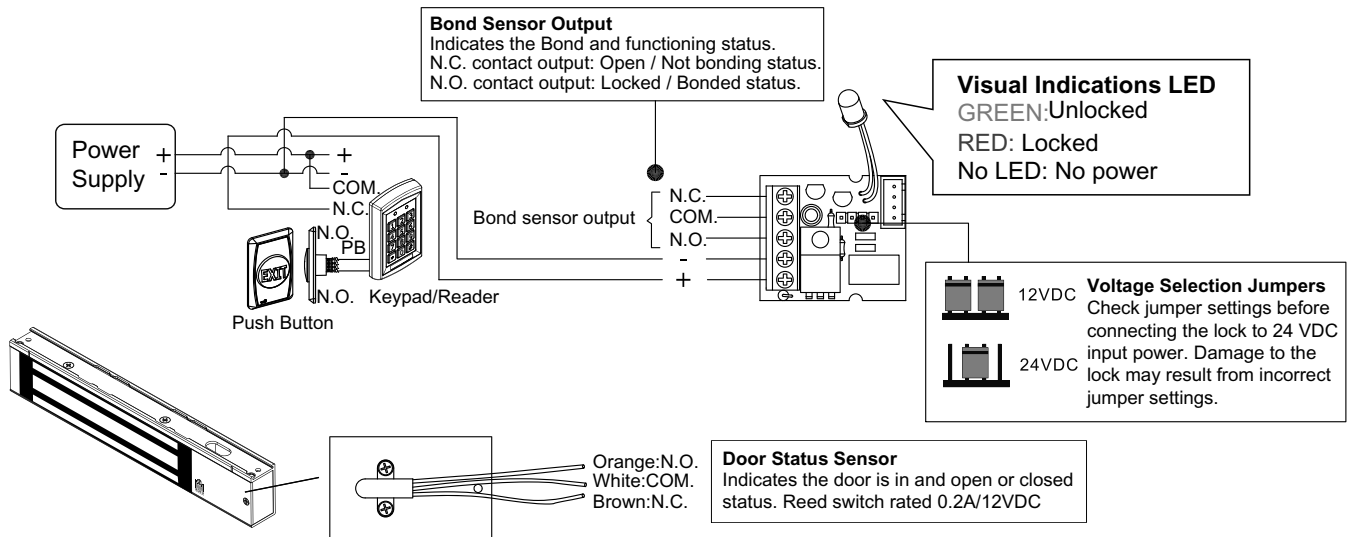
86 XX - 2 - (LC/BD/B) - (US28/40)(12/24)



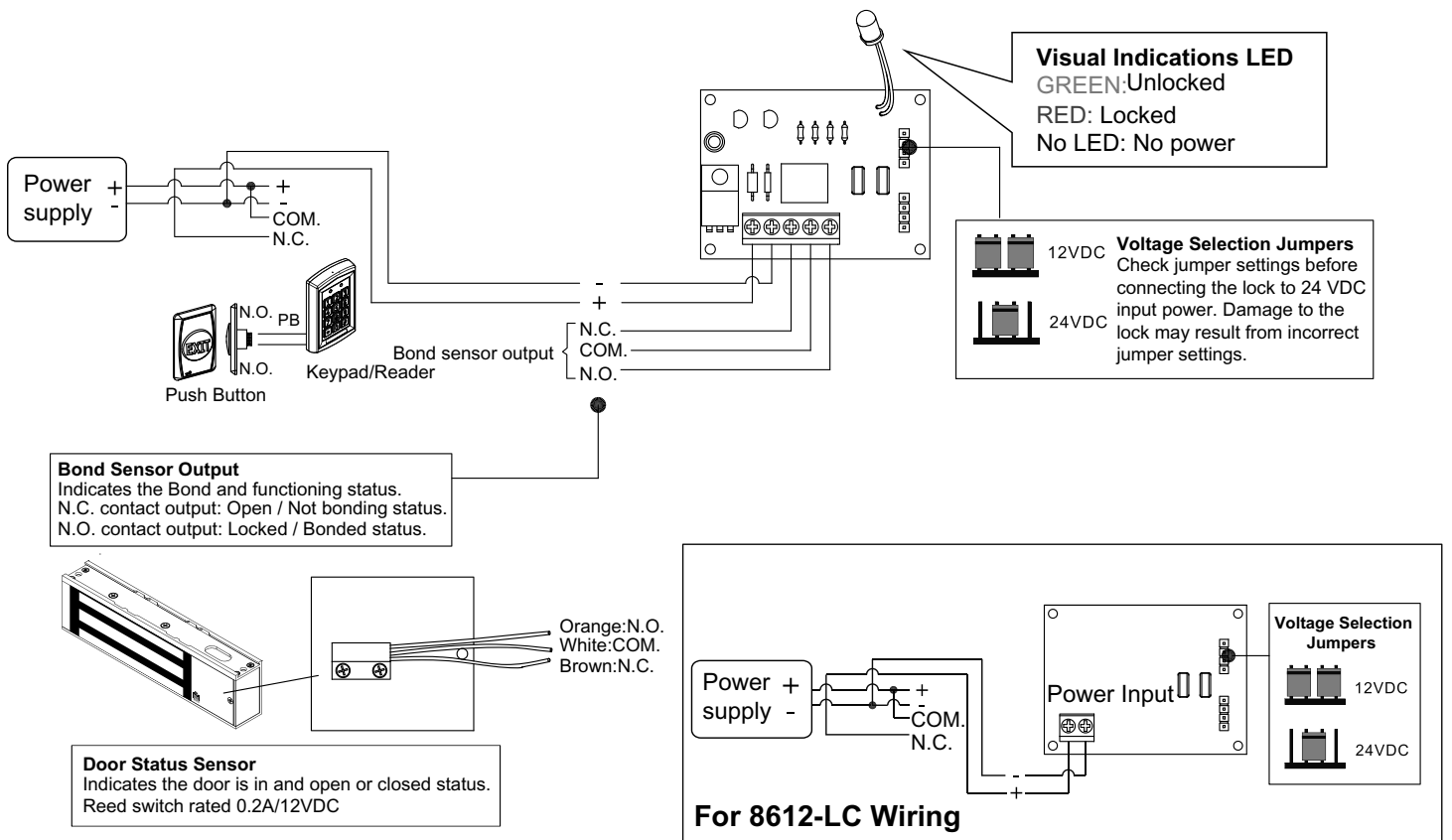
Diagrams of Magnets & Mounting Plates



Wiring Diagram for 8606 and 8608 Series Single Magnet Models



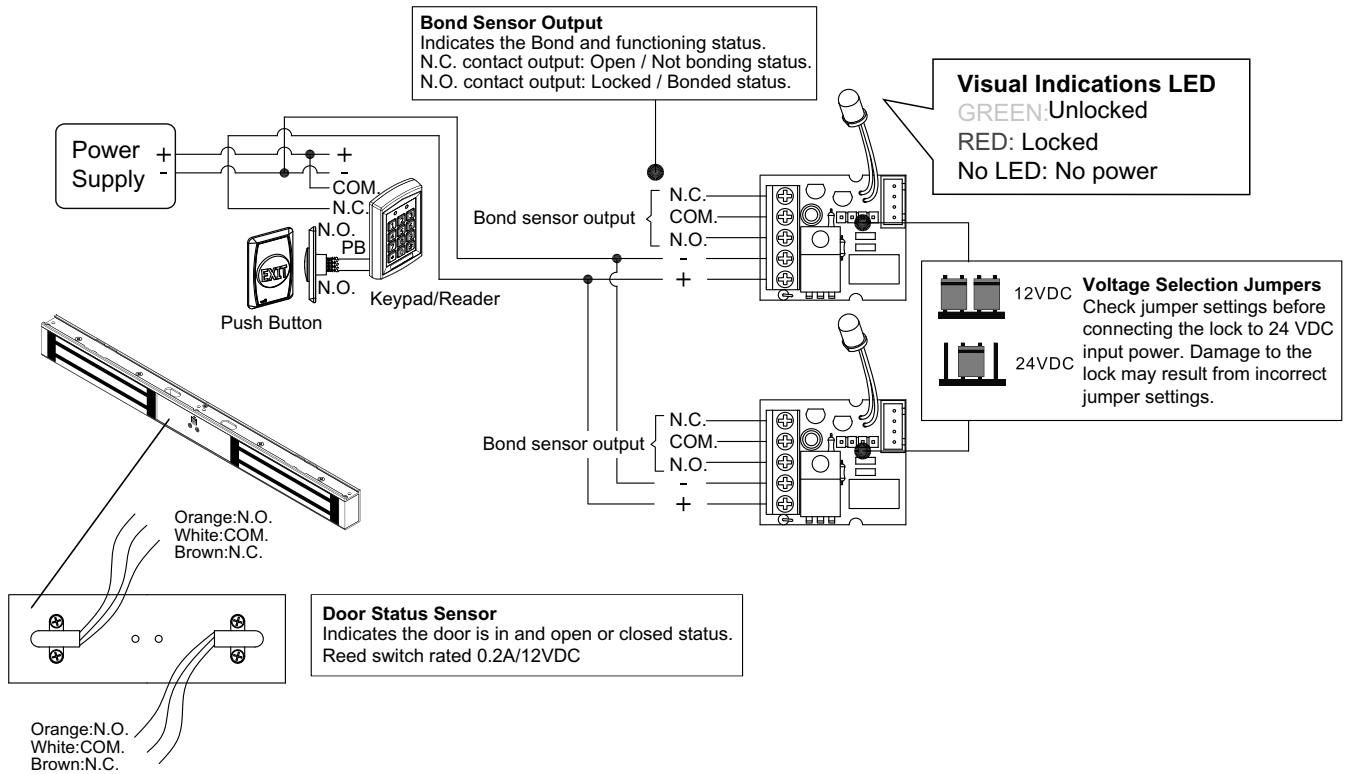
Wiring Diagram for 8612 Series Single Magnet Models



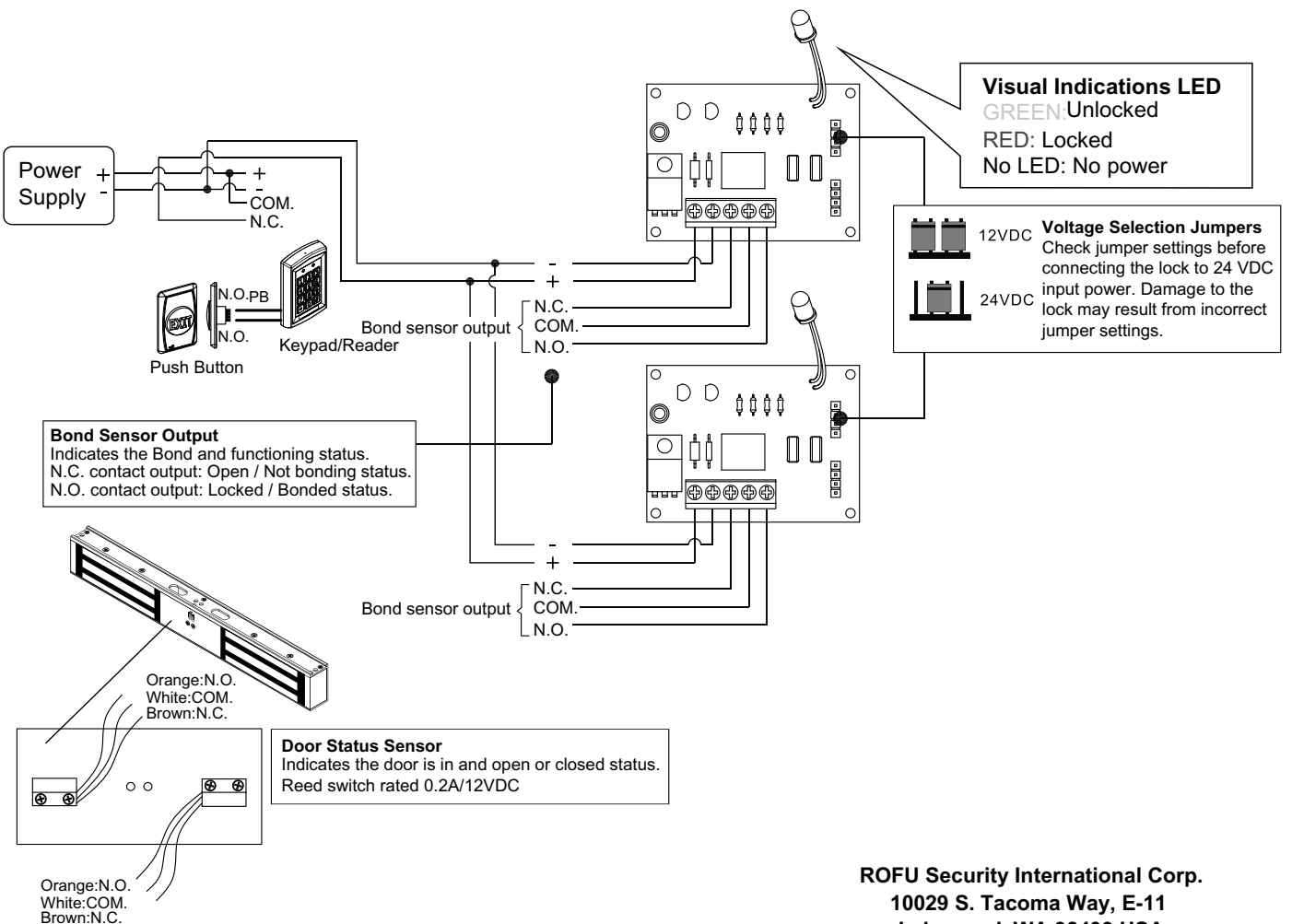
- ROFU recommends a good maintenance schedule!
- Please ensure all armature bolts and mounting bolts are checked quarterly.
- ROFU recommends using Loctite (Thread locker) on ALL bolts during installation.
- Current Draw: 500 mA /12VDC, 250 mA / 24VDC per block

ROFU Security International Corp.
10029 S. Tacoma Way, E-11
Lakewood, WA 98499 USA
1-800-255-7638 (1-800-ALL-ROFU)
www.ROFU.com
OrderEntry@rofu.com

Wiring Diagram for 8606-2-BD and 8608-2-BD Double Magnet Models



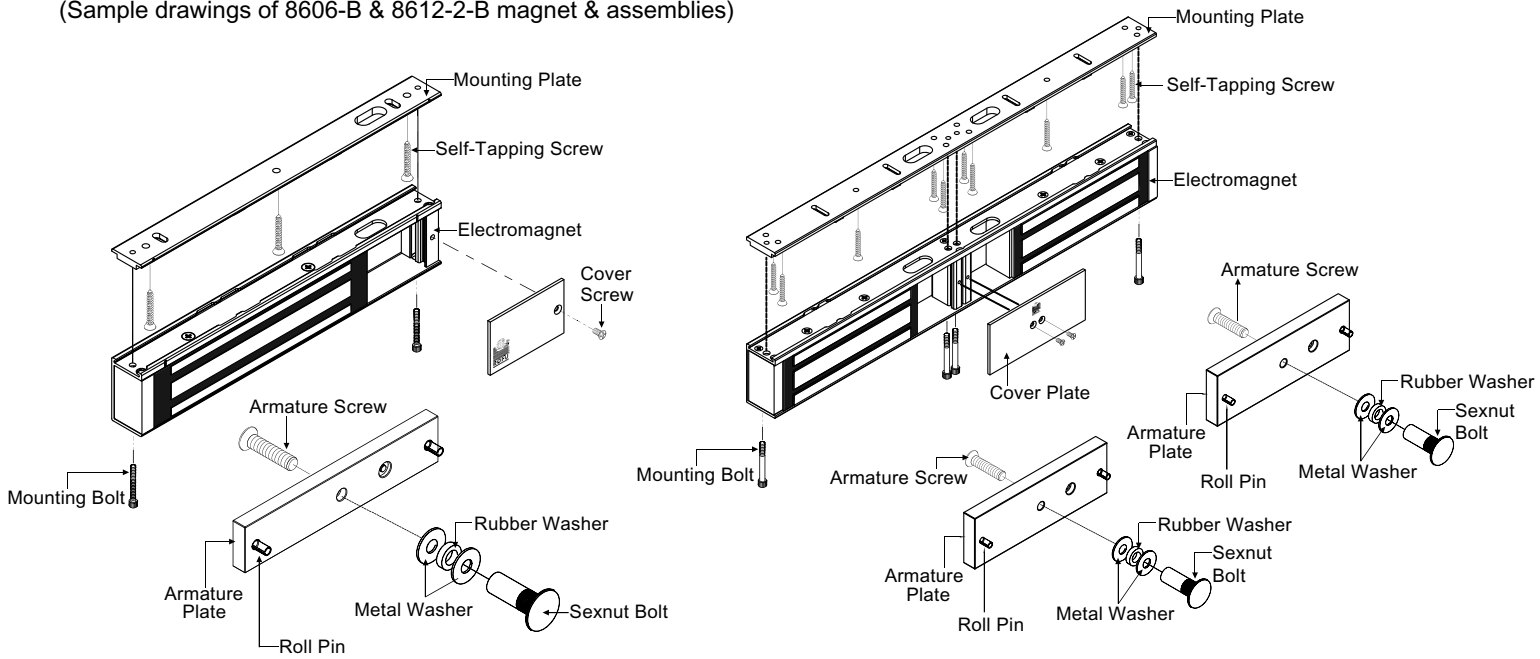
Wiring Diagram for 8612-2-B/BD Double Magnet Models

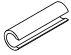
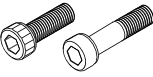

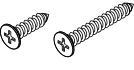


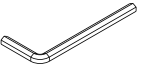
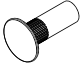


ROFU Security International Corp.
10029 S. Tacoma Way, E-11
Lakewood, WA 98499 USA
1-800-255-7638 (1-800-ALL-ROFU)
www.ROFU.com
OrderEntry@rofu.com

Installation Diagram & Screw Pack Components

(Sample drawings of 8606-B & 8612-2-B magnet & assemblies)

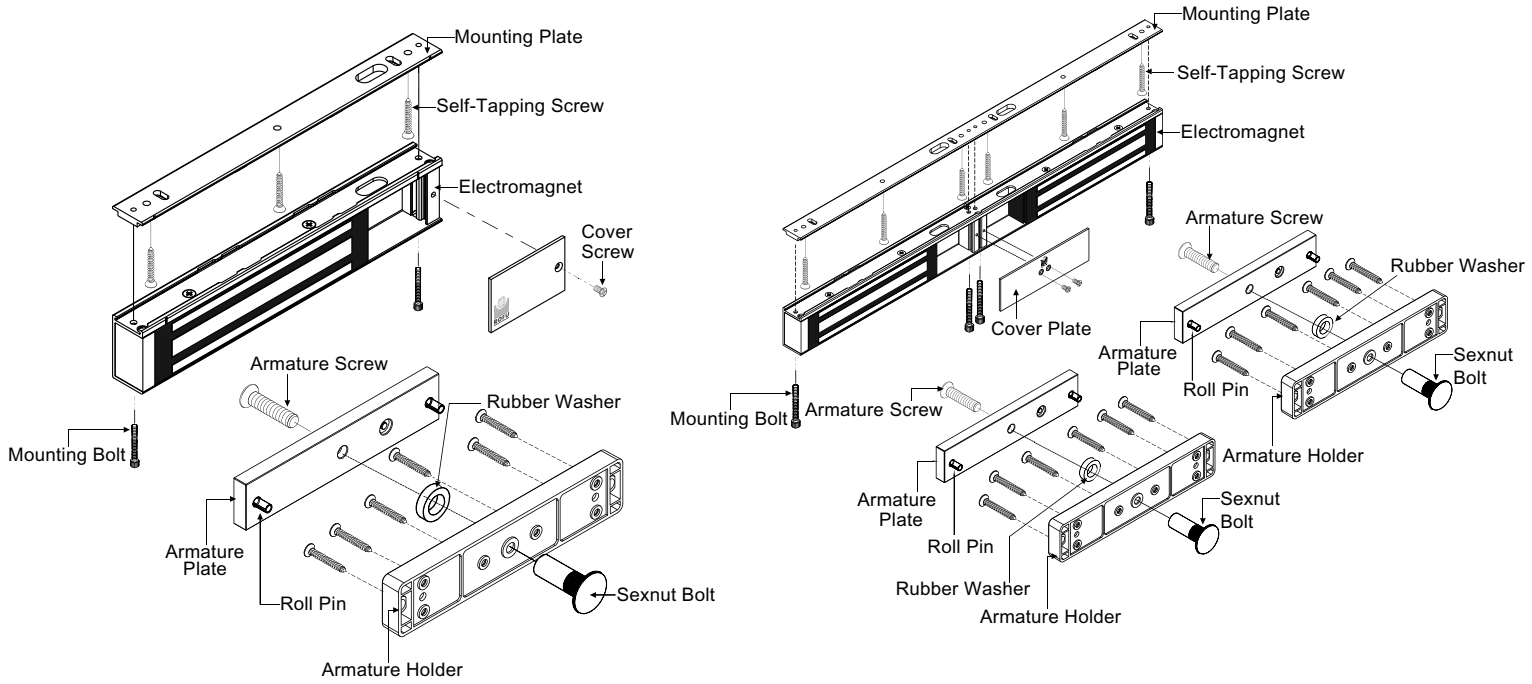


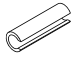
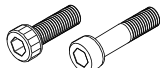


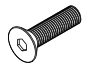

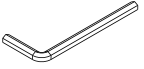
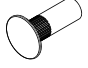
Components	8606-B	8608-B 8608-LC	8612-B 8612-LC	8608-2-B	8612 -2-B
 Roll Pin		x 2 (3/16" x 5/8")		x 4 (3/16" x 5/8")	
 Thru-Bolts	x 2 (5/32"x25/32")	—	x 2 (1/4" x 1 21/32")	—	x 4 (1/4" x 1 21/32")
 Rubber Washer		x 1 (11/32" x19/32"x 5/32")		x 2 (11/32" x19/32"x 5/32")	
 Phillips Flat Head Screws	x 5 (5/32" x 1")	x 5 (3/16" x 1 1/4")	x 5 (3/16" x 1 1/4") x 2 (3/16" x 5/8")	x 10 (3/16" x 1 1/4")	x 10 (3/16" x 1 1/4") x 4 (3/16" x 5/8")
 Allen Flat Head Screw	x 1 (5/16" x 1 3/8")	x 1 (5/16" x 1")	x 1 (5/16" x 1 3/8")	x 2 (5/16" x 1")	x 2 (5/16" x 1 3/8")
 Metal Washer		x 2 (5/16" x 7/8")		x 4 (5/16" x 7/8")	
 Hexagon Key (Allen Wrench)	x1 (1/8") x1 (3/16")	x1 (5/32") x1 (3/16")	x1 (3/16")	x2 (5/32") x2 (3/16")	x1 (3/16")
 Sexnut Bolt		x 1 (1/2" x 1 9/16")		x 2 (1/2" x 1 9/16")	

ROFU Security International Corp.
 10029 S. Tacoma Way, E-11
 Lakewood, WA 98499 USA
 1-800-255-7638 (1-800-ALL-ROFU)
 www.ROFU.com
 OrderEntry@rofu.com

Installation Diagram & Screw Pack Components

(Sample drawings of 8606-BD & 8606-2-BD magnet & assemblies)



Components	8606-BD	8608-BD	8612-BD	8606-2-BD	8608-2-BD	8612-2-BD
 Roll Pin		x 2 (3/16" x 5/8")			x 4 (3/16" x 5/8")	
 Thru-Bolts	x 2 (5/32"x25/32")	—	x 2 (1/4" x 1 21/32")	x 4 (5/32" x 25/32")	—	x 4 (1/4" x 1 21/32")
 Rubber Washer		x 1 (11/32" x 19/32" x 5/32") x 1 (9/16" x 1 3/16" x 5/32")			x 2 (11/32" x 19/32" x 5/32") x 2 (9/16" x 1 3/16" x 5/32")	
 Phillips Flat Head Screws	x 5 (5/32" x 1") x 6 (3/16" x 1 1/4")	x 11 (3/16" x 1 1/4")	x 11 (3/16" x 1 1/4") x 2 (3/16" x 5/8")	x 10 (5/32" x 1") x 12 (3/16" x 1 1/4")	x 22 (3/16" x 1 1/4")	x 22 (3/16" x 1 1/4") x 4 (3/16" x 5/8")
 Allen Flat Head Screw	x 1 (5/16" x 1 3/8")	x 1 (5/16" x 1")	x 1 (5/16" x 1 3/8")	x 2 (5/16" x 1 3/8")	x 2 (5/16" x 1")	x 2 (5/16" x 1 3/8")
 Metal Washer		x 2 (5/16" x 7/8")			x 4 (5/16" x 7/8")	
 Hexagon Key (Allen Wrench)	x1 (1/8") x1 (3/16")	x1 (5/32") x1 (3/16")	x1 (3/16")	x1 (1/8") x1 (3/16")	x2 (5/32") x2 (3/16")	x1 (3/16")
 Sexnut Bolt		x 1 (1/2" x 1 9/16")			x 2 (1/2" x 1 9/16")	

ROFU Security International Corp.
 10029 S. Tacoma Way, E-11
 Lakewood, WA 98499 USA
 1-800-255-7638 (1-800-ALL-ROFU)
 www.ROFU.com
 OrderEntry@rofu.com