

ELECTROMAGNETIC GATE LOCKS

8712FT Models

8700 Series Gate Locks with Conduit Fitting (formerly known as 8040 Models) are fail-safe with dual-mounting functions. The gate locks are suitable for indoor and outdoor applications. 8712FT is a standard model while 8712FT-B features remote monitoring function.

Optional L-brackets are available for sliding gate and outswing doors installations.

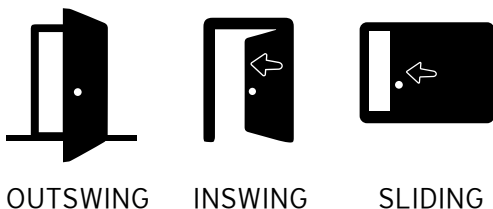
STANDARD FEATURES

- Weatherproof, stainless steel housing, suitable for indoor and outdoor application
- Both face and surface mount, suitable for a range of sliding and swinging electric gates.
- Dual voltage 12/24 VDC selectable
- Dual-threaded conduit fitting
- Fail-safe: releases instantly when power is disconnected, no residual magnetism
- Conforms in accordance with Standard UL 10B, UL 10C, listed under file GWXT.R16728
- Fire rating: up to and including 1-1/2 hours
- Built-in MOV spike and surge protection

OPTIONAL BRACKETS



APPLICATIONS



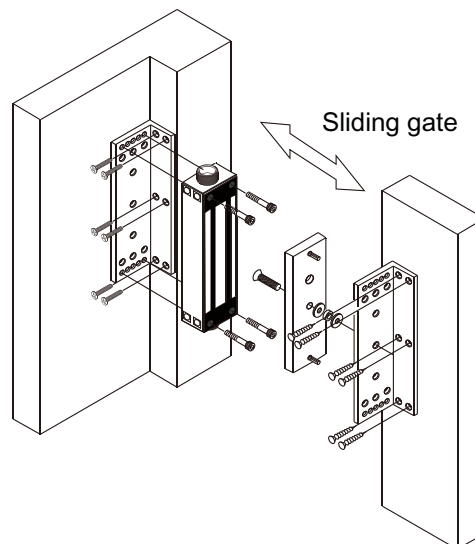
SPECIFICATION

HOLDING FORCE	1200 LB
VOLTAGE	12/24 VDC
CURRENT	500 mA/12 VDC 250 mA/24 VDC
DIMENSIONS	Magnet: 8 11/16" x 2 7/16" x 1 9/16" Armature: 7 1/4" x 2 3/8" x 5/8"

8712 SERIES MODELS

MODELS	DESCRIPTION
8712FT	Standard 1200 LB Gate Magnetic Lock
8712FT-B	Monitored 1200 LB Gate Magnetic Lock
21035FS	L-Brackets for Front & Surface Mount

SLIDING GATE INSTALLATION



ELECTROMAGNETS

ELECTRIC STRIKES

EXIT DEVICES

MISC. ACCESS CONTROL