



ROFU Electric Strike 1509G Wood, Hollow Metal or Aluminum Jamb

ROFU Security International Corp.

6818 S 220th ST
Kent, WA 98032
(253) 922-1828
www.ROFU.com

OrderEntry@ROFU.com

Installation Instructions

1. Prepare door jamb per drawing
2. Connect wires coming from the low voltage side of the transformer to terminal block of door strike.
3. Attach faceplate using M4 x 10 screws furnished.
4. Install electric door strike to jamb by attaching with #10 wood screws.

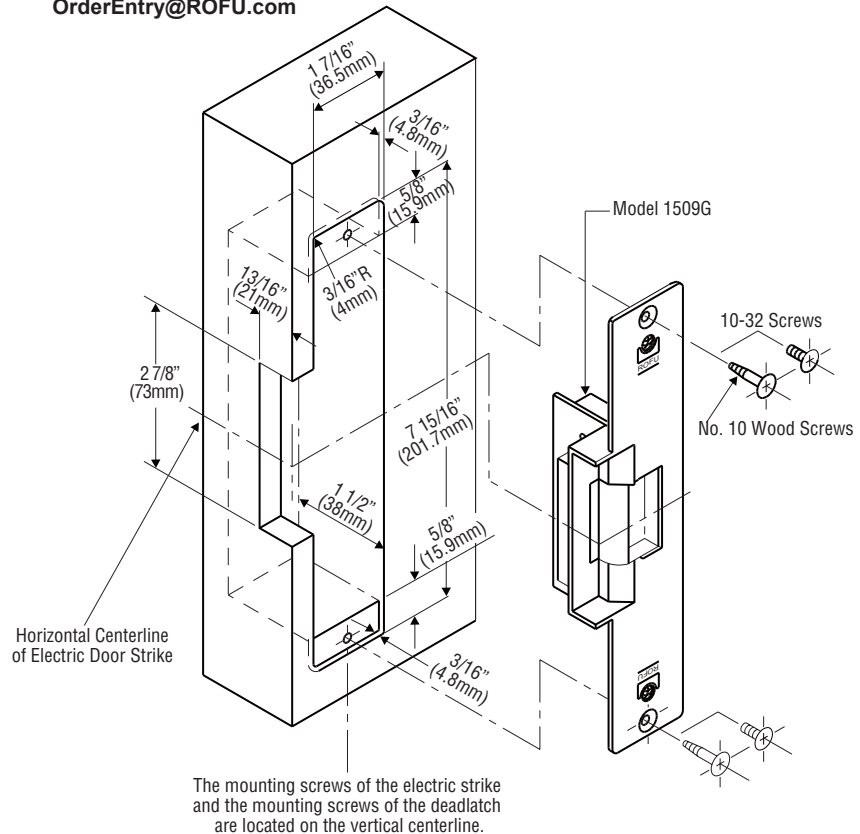
Note:

For Mortise Lockset with auxiliary deadlatch:
To insure that the latchbolt falls properly into the keeper, the centerline of the auxiliary deadlatch must be 1-1/8" above (or below when applicable) the centerline of the strike.

Note:

Template dimensions (not to scale) and technical data are subject to change without notice. Dimensions in inches and millimeters.

Copyright © ROFU Security International Corp. All rights reserved.
ROFU-1509G Published on: 2019.03.08



ROFU Electric Strike 1509G Wood, Hollow Metal or Aluminum Jamb

ROFU Security International Corp.

6818 S 220th ST
Kent, WA 98032
(253) 922-1828
www.ROFU.com

OrderEntry@ROFU.com

Installation Instructions

1. Prepare door jamb per drawing
2. Connect wires coming from the low voltage side of the transformer to terminal block of door strike.
3. Attach faceplate using M4 x 10 screws furnished.
4. Install electric door strike to jamb by attaching with #10 wood screws.

Note:

For Mortise Lockset with auxiliary deadlatch:
To insure that the latchbolt falls properly into the keeper, the centerline of the auxiliary deadlatch must be 1-1/8" above (or below when applicable) the centerline of the strike.

Note:

Template dimensions (not to scale) and technical data are subject to change without notice. Dimensions in inches and millimeters.

Copyright © ROFU Security International Corp. All rights reserved.
ROFU-1509G Published on: 2019.03.08

