



BLACK

SILVER

DETECTION AREA

The OPTEX microwave series offers a narrow or wide detection area that makes it suitable for all types of installations. The narrow setting is easy to set by just clicking the narrow lens on to the radar module. By turning the module left or right and tilting it up and down the microwave can be adjusted quickly and simply for many different applications. No external set-up device is needed.

VERSATILITY IN SWING DOOR ACTIVATION

The Reaction Two includes a uni-directional detection option and can be surface mounted on the door header or the ceiling. This allows the sensor to be used with center pivoted or surface applied operators and in one way traffic or two way traffic applications. An optional recessed ceiling mount is available if desired.

Note: When mounting the Reaction on the swing side of the door the sensor must be located past the swing path of the door.

UNI-DIRECTIONAL SETTING

The Reaction Two is equipped with a dipswitch for Uni-directional or Bi-directional mode. In Bi-directional mode the sensor will detect motion either towards or away from the sensor and open the door. In Uni-directional mode the sensor will only detect when movement is towards the sensor. This allows for the door to close more quickly and saves energy by reducing airflow.

AUTO-CAUTION MODE

Auto Caution mode gives a higher level of sensitivity when persons linger in the detection area. In conjunction with Uni-Directional mode, it provides high safety with maximum efficiency.

ANSI COMPLIANCE

When adjusted properly this sensor meets the current requirements for Motion Sensors in Section 8 of the ANSI/BHMA A156.10 Standard For Power Operated Pedestrian Doors.

MICROWAVE DOOR SENSOR REACTION ONE/TWO

FOR SLIDE AND SWING DOORS



OPTEX Reaction microwave sensors are specially designed to increase efficiency on opening all types of automatic doors. The OPTEX microwaves provide fast detection for all automatic door installations and particularly for applications with highspeed entries. The Reaction series is the most flexible line of microwave activation sensors available today.

International Door Closers, Inc.

COPYRIGHT 2018 INTERNATIONAL DOOR CLOSERS, INC

West: 800-544-4422 • East: 800-225-6737
www.intldoorclosers.com



MICROWAVE DOOR SENSOR REACTION ONE/TWO

FOR SLIDE AND SWING DOORS

BLACK

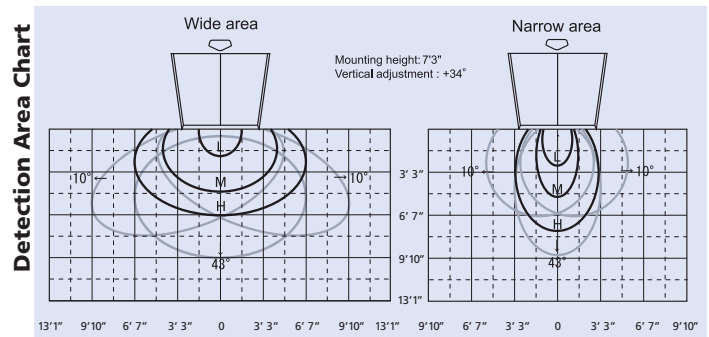
SILVER



SPECIFICATIONS

Model	Reaction One / Reaction Two
Available colors	Black / Silver
Mounting height	6' 7" - 11' 5"
Detection method	Microwave doppler effect
Power frequency	24.125GHz
Power density	<20dBm
Detection area	See Detection area
Vertical adjustment	+10° to +70° (header mount) +20° to +80° (ceiling mount)
Horizontal adjustment	30° to left or right
Power supply	12 to 24VAC (±10%) 12 to 30VDC (±10%)
Power consumption	<1.5W (<2VA at AC)
Minimum speed	1 15/16" per sec.
Operating indicator	Green / Standby Red / Detection Green blinking / Set-up
Output	Form C relay 50V 0.3 Max. (resistance load)
Output hold time	2.0 sec. to 4.0 sec.
Response time	<0.3 sec.
Operating humidity	<80%
Operating temperature	-4°F to +131°F
IP rate	IP54
Outer dimensions	5. 3/16" x 2 3/8" x 2 3/16" (w x h x d)
Weight	4.9 oz. (140g)
Accessories	1 Cable 9' 10" 1 Operation manual 2 Mounting screws 1 Mounting template 1 Narrow lens

DETECTION AREA CHART



Sensitivity Potentiometer	WIDE AREA		NARROW AREA	
	Width	Depth	Width	Depth
High	5 1/2"	6"	7"	8"
Mid	1' 5"	1' 7"	1' 8"	1' 11"
Low	2' 8"	3' 1"	3' 3"	3' 7"

* The values are for reference and are not guaranteed.

* Area position may differ according to the size, material, and/or entry speed of the object and the installation environment. For example, when the material of the door, floor and surrounding wall is metallic, the area may be larger.