

Notes:

1. Do not scale drawing.
2. Suitable reinforcing by others.
3. Set cement case 1/16" below surface of finished floor when using a floor plate or a floor plate and threshold combination.
4. Set cement case flush with finished floor when using a threshold.
5. Maximum degree of opening, trim permitting 105°.
6. Provide 5/8" dia. Holes for alignment screws.
7. All dimensions given in inches.

1" Min. Clearance Required for Arm

Provide Sufficient Clearance Between Door and Spindle Shoulder Collar

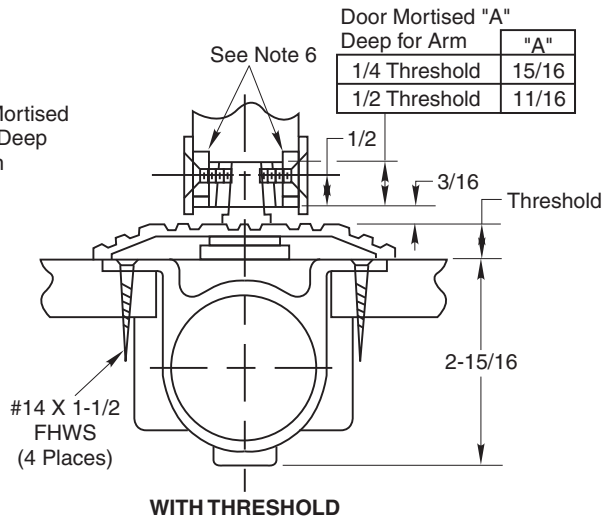
Door Mortised 1-1/8" Deep for Arm

Floor Plate

Cement Case

WITH FLOOR PLATE AND CEMENT CASE

Door Mortised "A" Deep for Arm	"A"
1/4 Threshold	15/16
1/2 Threshold	11/16



**10, 12, 15, and 16 Floor Closers
Center Hung, Double Acting**

RIXSON®

ASSA ABLOY

www.rixson.com

TEMPLATE NUMBER

CH20000

DATE

02-09