

Step 5:

Attach Roller Assembly to bottom of door. Use shim plates if necessary.

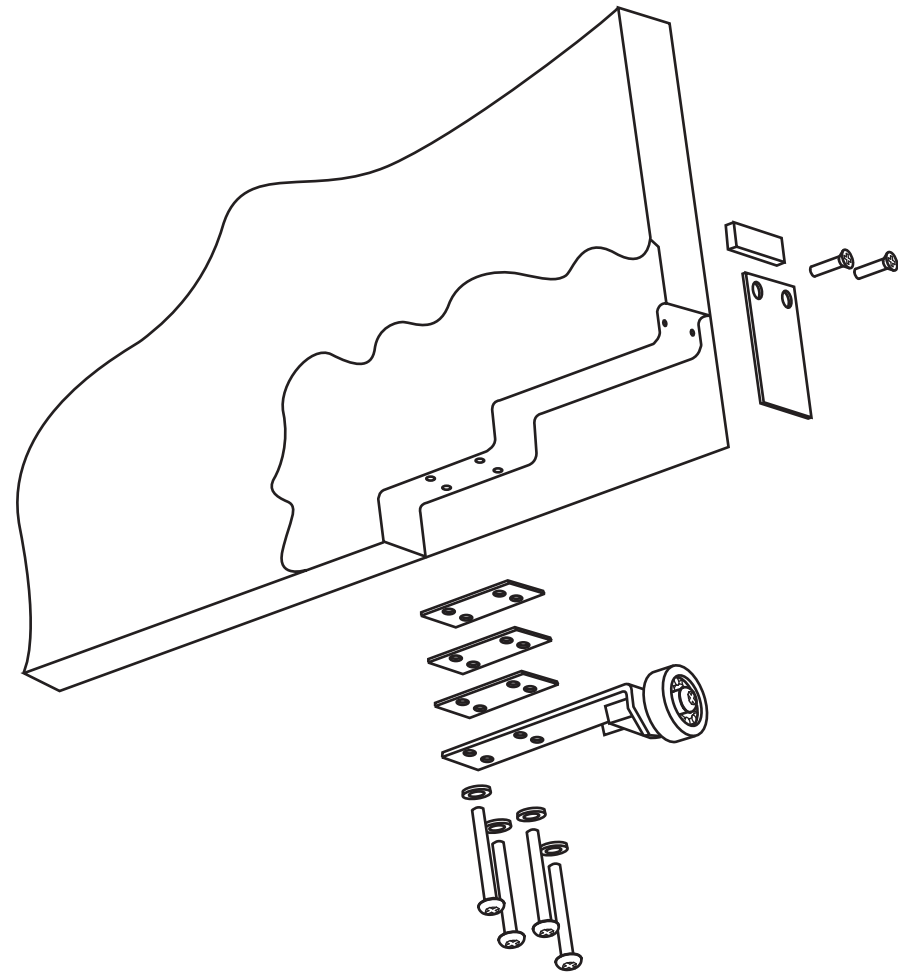


Figure 5: Roller Assembly at bottom of door.

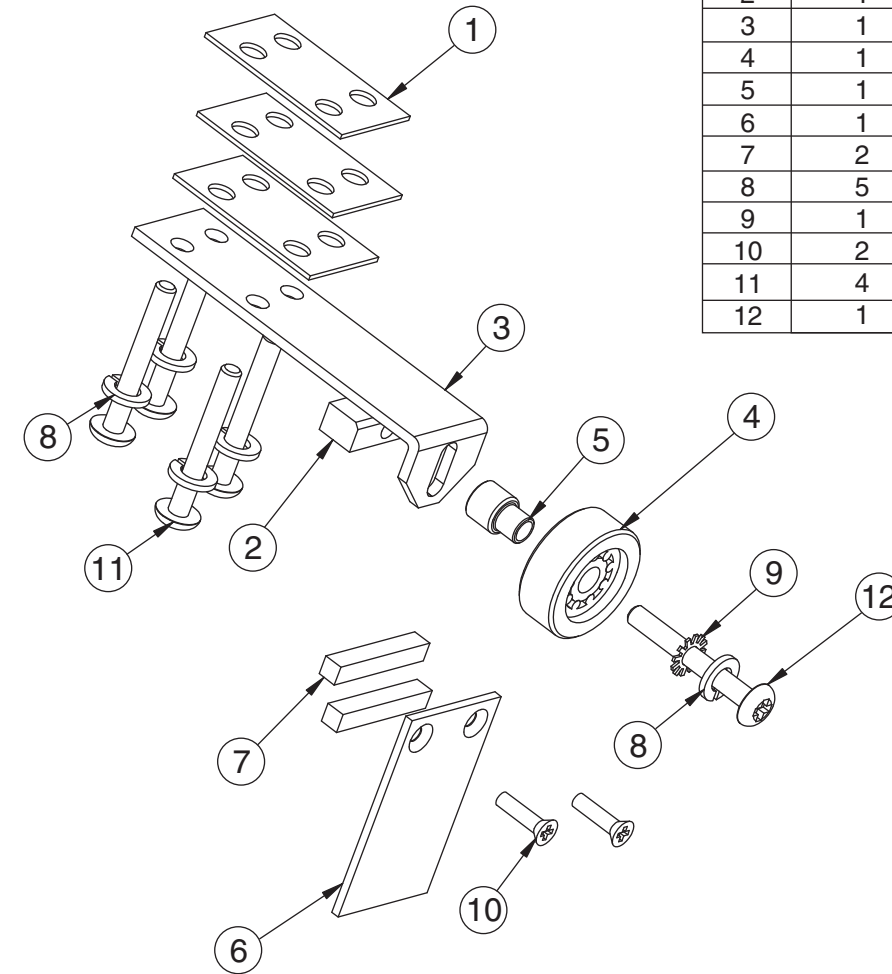
Installation Instructions

MS120015 (06-09)

Wood Door Thickness: 2-1/4" (57.2) Min.
Door Weight: 730 lbs. Max. for Single Roller
3-1/2" (88.9) Thick Bottom Rail Required

Parts List

Item #	QTY Reqd.	Part #	Description
1	3	10600-003	Shim Plate
2	1	10600-004	Threaded Block
3	1	10600-005	Spring Plate
4	1	10600-006	Roller
5	1	10600-015	Hub-Single Roller
6	1	10600-019	End Cap
7	2	10600-026	Gasket
8	5	1200301-02504	1/4 Lockwasher
9	1	1200901-02502	1/4 Star Washer
10	2	01301016-603	10x1 FHPSMS-STL-SLB
11	4	02321432-629	14 x 2 PHPSMS-SS-US32
12	1	04344033-603	1/4-20 x 2 RHPMS



Tools Required (not included)

- Flat Blade Screwdriver
- Phillips Screwdriver



(Door is independently hung)

Step 1

Determine clearance between door and floor as shown in Figure #1. Recommended clearance is 3/16" (4.8). Use .060" (1.5) thick shim plates provided in kit to compensate for large gaps between door and floor.

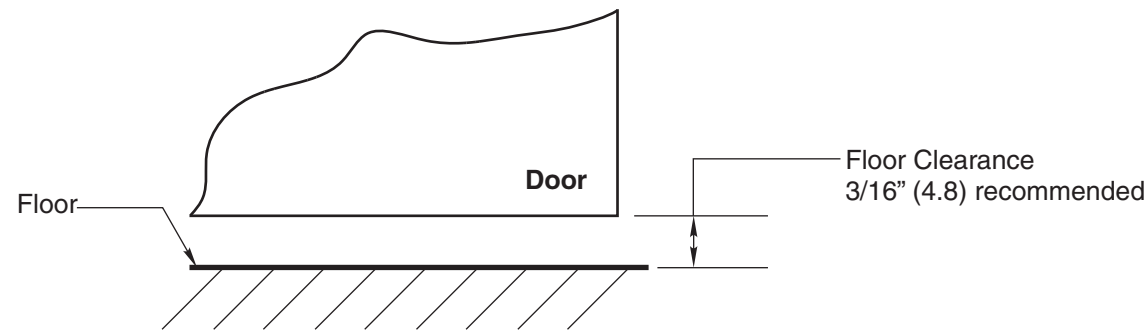


Figure 1: Clearance between door and floor.

Step 2: Wood Door Cutout

Minimum bottom rail height – 3-1/2" (88.9). Minimum door thickness – 2-1/4 (57.2). Mortise the bottom of the wood door per the dimensions on template MS120020. Do not remove skins of door, except at edge of door.

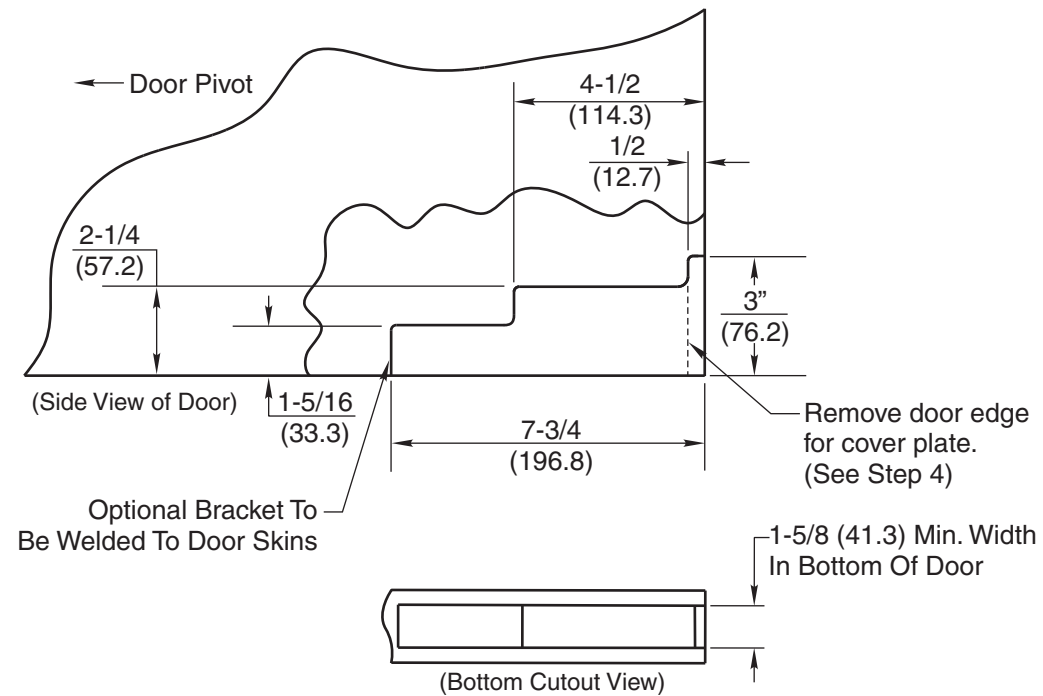


Figure 2: Mortise dimensions at bottom of wood door.

Step 3: Wood Door Cutout, (Hole Locations)

Drill holes in wood door per the dimensions in Figure 3 or refer to template MS120020.

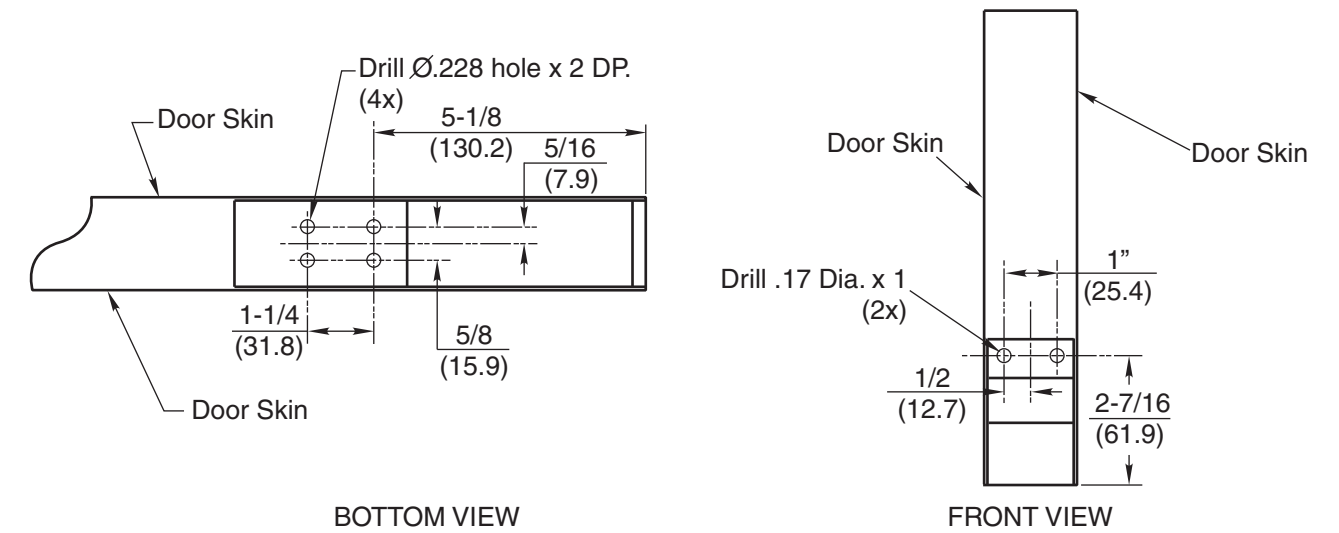


Figure 3: Location of holes in bottom of wood door.

Step 4: Wood Door Cutout, (Edge Slot Cutout–No Front Cover Plate)

If Front Cover Plate is not desired, cut a slot in the skin at the edge of door, per the cutout dimensions in Figure 4.

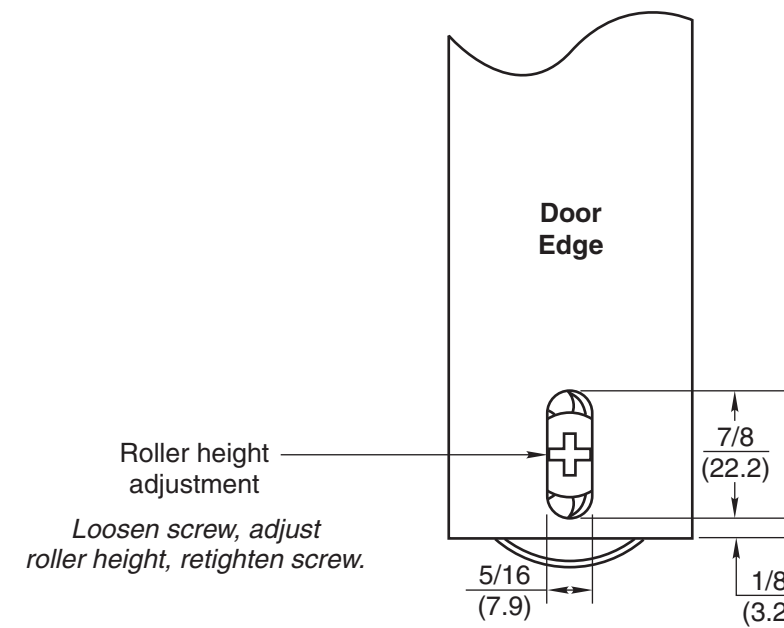


Figure 4: Slot cutout dimensions in skin at edge of door.