

Assumes 3/16" (4.8) floor clearance. Allows for an additional 3/16" (4.8) adjustment up or down. Use shims to accommodate floor clearance that is beyond the additional 3/16" (4.8) adjustment. At a 100 lb. roller load, the beam deflection will be .110 inches (2.79).

NOTES:

1. Do not scale drawing.
2. Dimensions are in inches (mm).
3. This single roller design can only be used for:
 - Door weights up to 730 lbs.
 - Steel doors w/min. 1-3/4" thickness
 - Wood doors w/min. 2-1/4" thickness
4. This roller should be used for low frequency operations.
5. It is up to the installer to determine the suitability of this application.
6. This roller may cause an arc on soft floors.

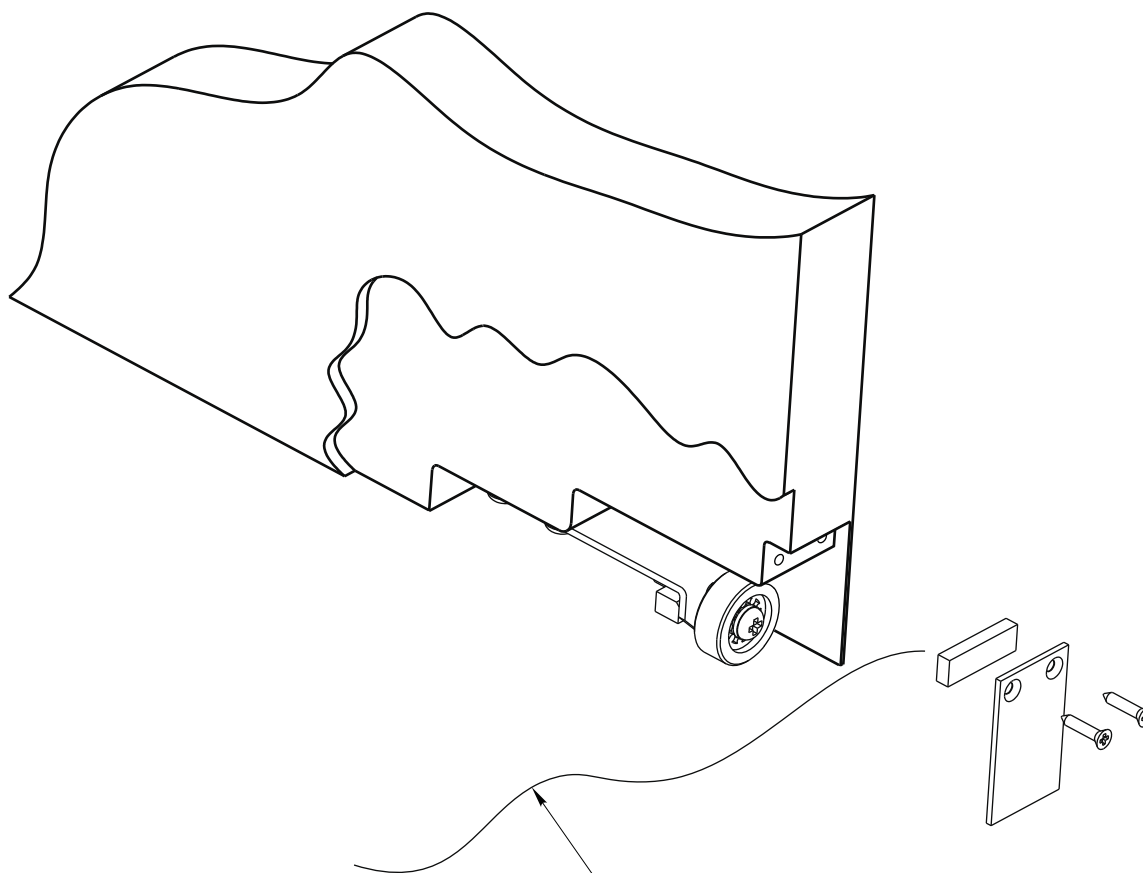
**RollerMate™
Single Roller 10600SGLE**

RIXSON®

ASSA ABLOY

www.rixson.com

TEMPLATE NUMBER	PAGE	DATE
MS120020	1 of 2	09-10



Adjust the roller to the high spot near the door frame, so the door always closes evenly.

NOTES:
1. Do not scale drawing.

RollerMate™
Single Roller 10600SGLE

RIXSON®

ASSA ABLOY

www.rixson.com

TEMPLATE NUMBER

MS120020

PAGE

2 of 2

DATE

09-10