

Assumes 3/16" (4.8) floor clearance. Allows for an additional 3/16" (4.8) adjustment up or down. Use shims to accommodate floor clearance that is beyond the additional 3/16" (4.8) adjustment. At a 100 lb. roller load, the beam deflection will be .110 inches (2.79).

**NOTES:**

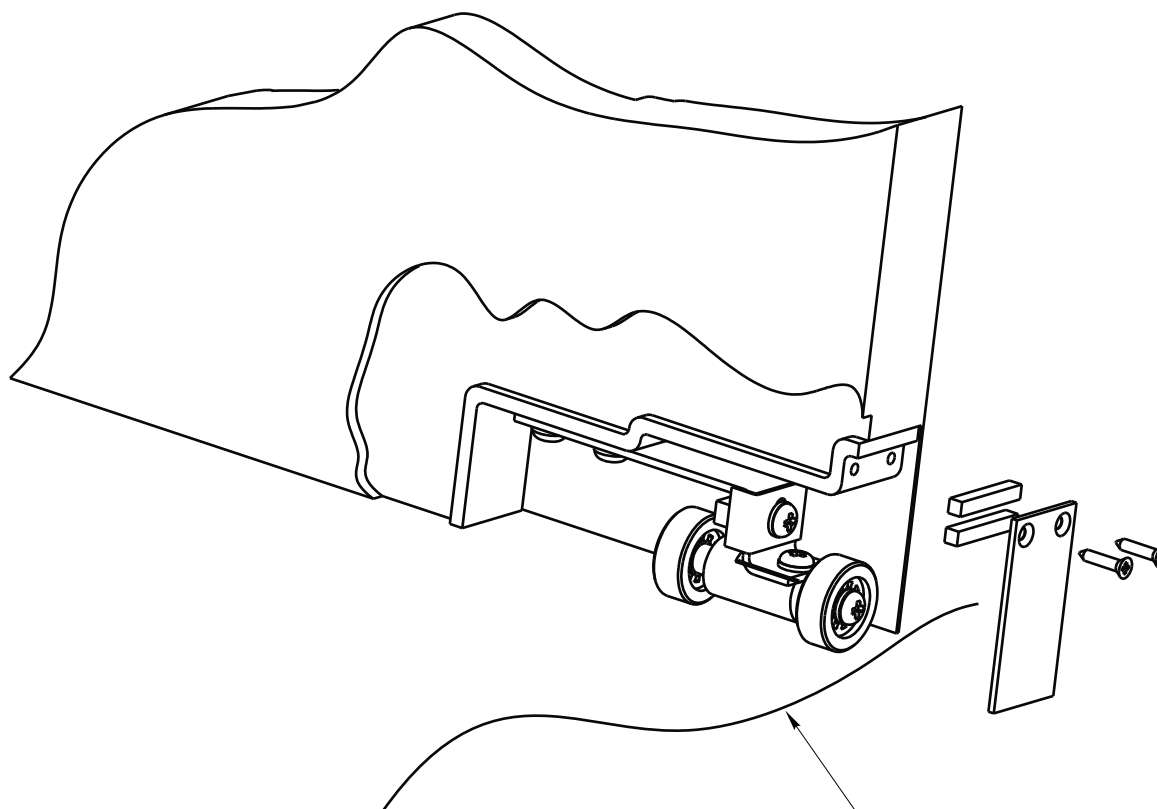
1. Do not scale drawing.
2. Dimensions are in inches (mm).
3. This double roller design can only be used for:
  - Door weights up to 1,000 lbs.
  - Steel doors w/min. 1-3/4" thickness
  - Wood doors w/min. 2-1/4" thickness
4. These double rollers should be used for low frequency operations.
5. It is up to the installer to determine the suitability of this application.
6. These double rollers may cause an arc on soft floors.

**RollerMate™  
Double Roller 10602DBLE**

**RIXSON®  
ASSA ABLOY**

www.rixson.com

TEMPLATE NUMBER	PAGE	DATE
<b>MS120035</b>	<b>1 of 2</b>	<b>09-10</b>



Adjust the rollers to the high spot near the door frame, so the door always closes evenly.

NOTES:

1. Do not scale drawing.

**RollerMate™**  
**Double Roller 10602DBLE**

**RIXSON®**

**ASSA ABLOY**

www.rixson.com

TEMPLATE NUMBER

**MS120035**

PAGE

**2 of 2**

DATE

**09-10**