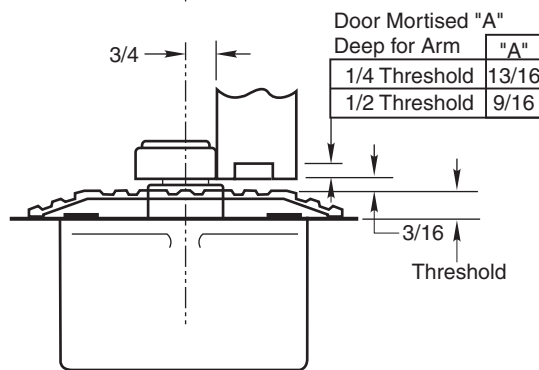
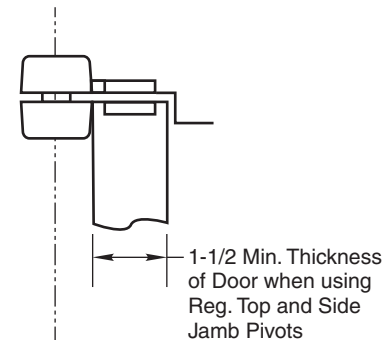
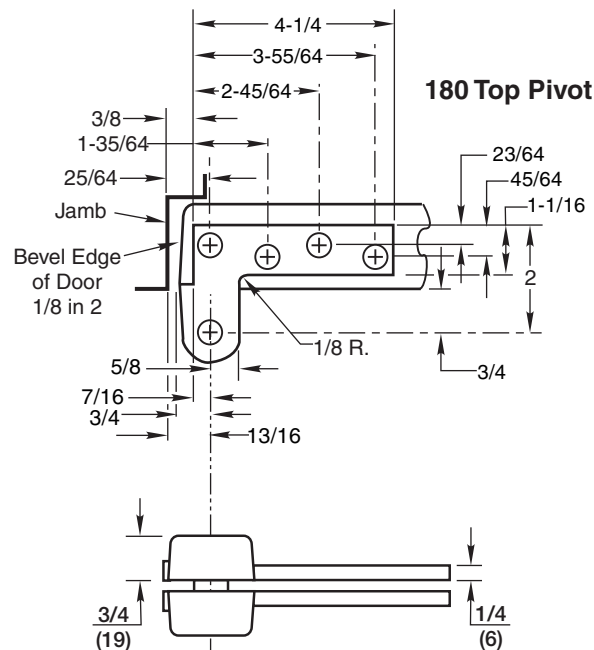
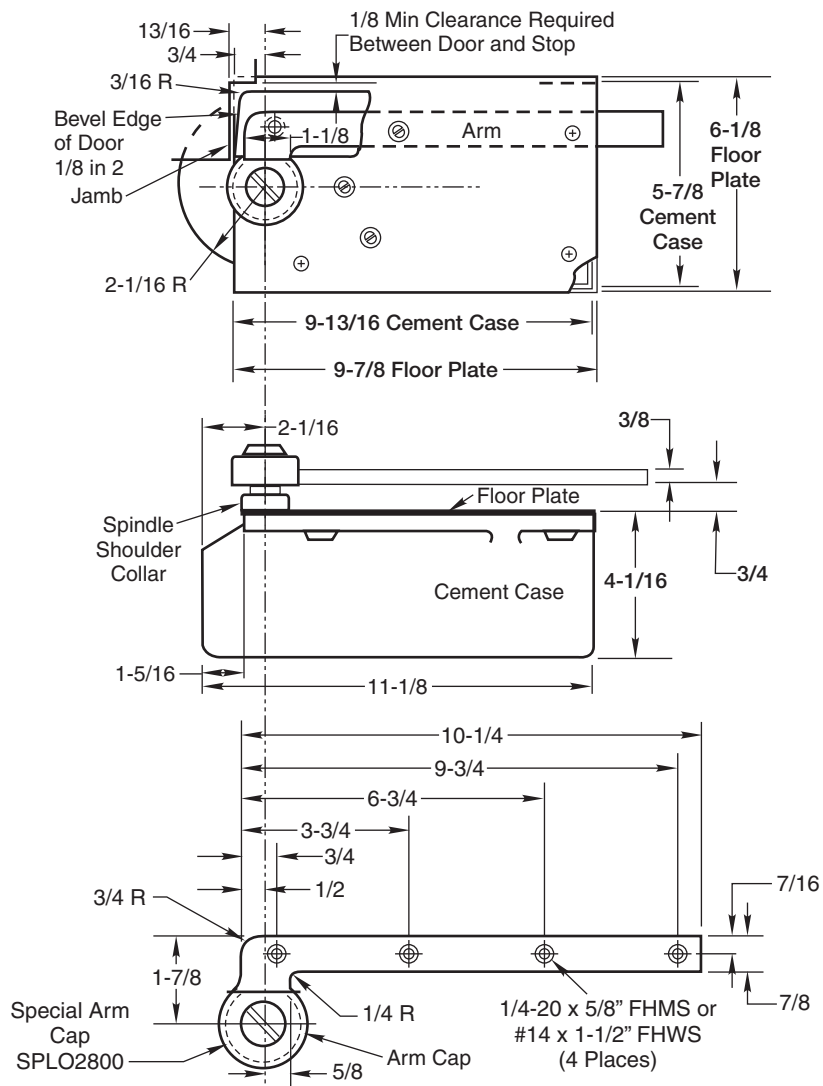
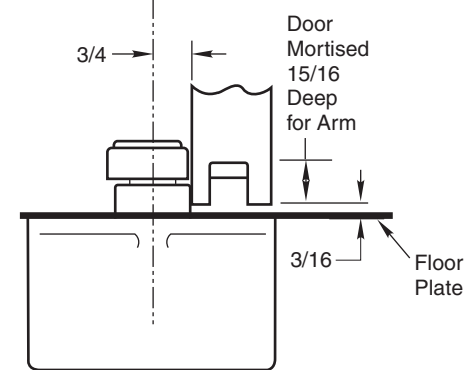


Notes:

1. Do not scale drawing.
2. Minimum backset or reveal of door is 1-5/8".
3. All dimensions given in inches.



WITH THRESHOLD
Set Cement Case Flush with Finished Floor



WITH FLOOR PLATE
Set Cement Case 1/8" Below Surface of Finished Floor

**127 Floor Closer
3/4" Offset**

RIXSON®
ASSA ABLOY

www.rixson.com

TEMPLATE NUMBER

OS10110

DATE

12-08