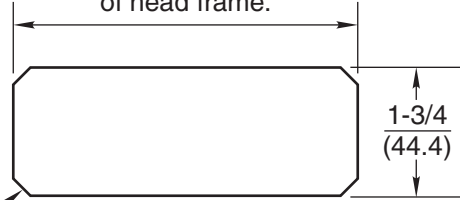


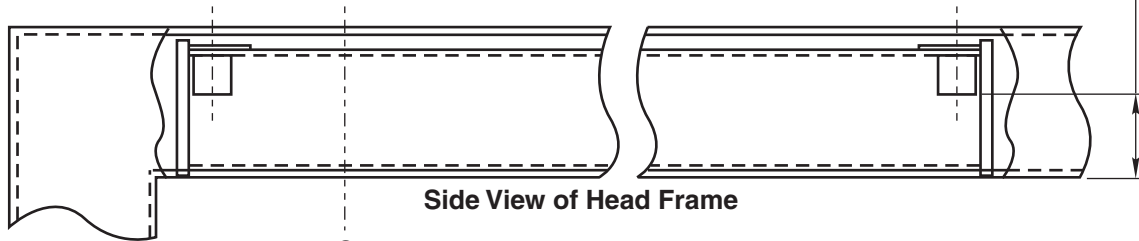
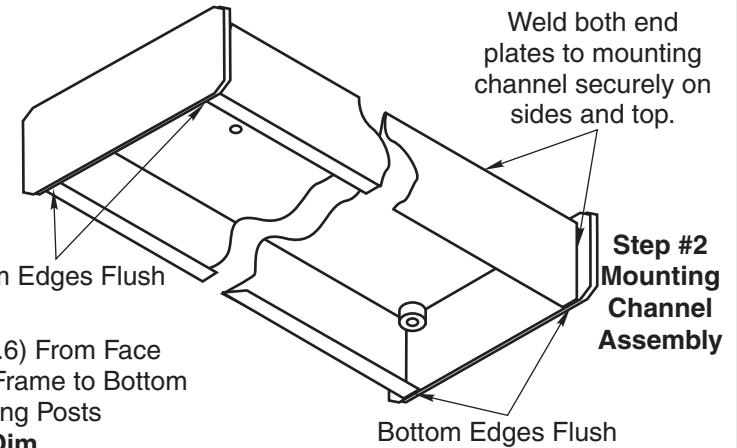
192 Hollow Metal Mounting Channel Center Hung

This dimension to be a slip fit into inside width of head frame.

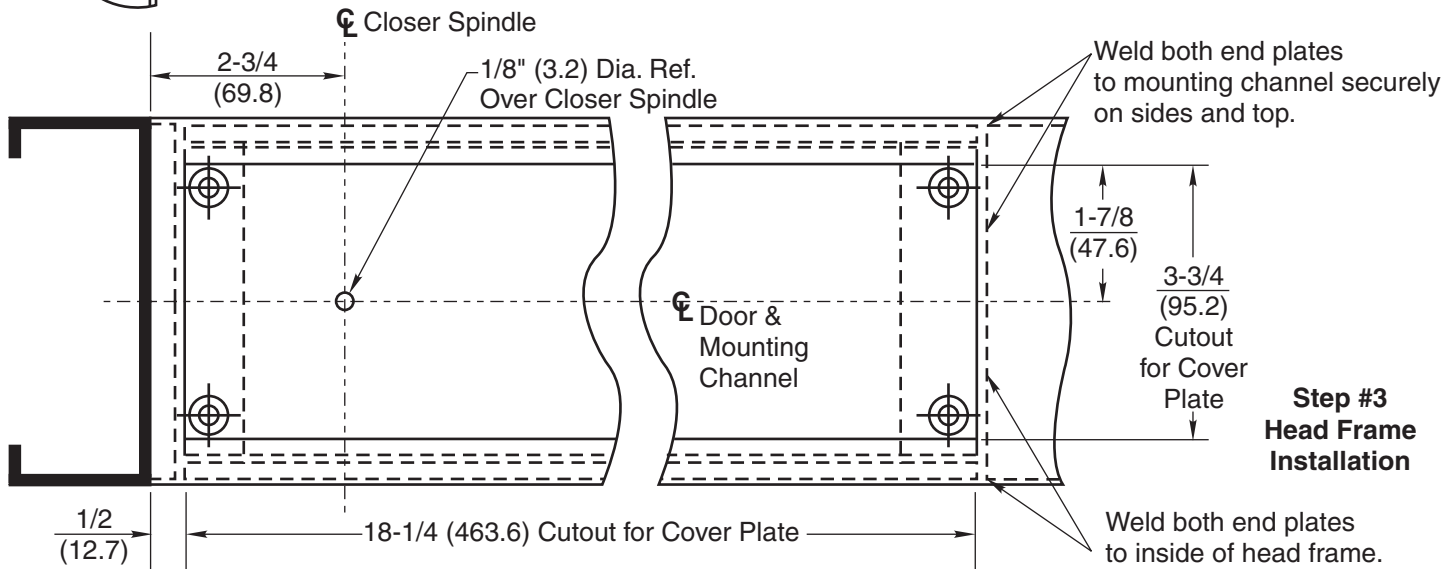


1/8 (3.2) x 45° CHMF.

**Step #1
Reinforcement End Plate
(2 Req'd. by Others)**

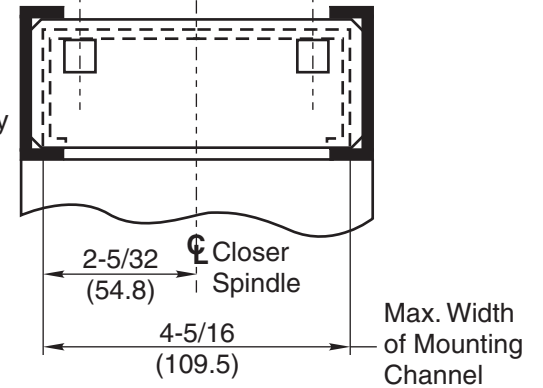


Side View of Head Frame



Underside View of Head Frame

End View of Head Frame



- NOTES:**
1. Do not scale drawing.
 2. Right hand door shown.
 3. Minimum width head frame 2" x 5-1/2" (50.8 x 139.7) 16 ga. max.
 4. All dimensions given in inches (mm).
 5. Channel must be installed prior to jobsite installation of frame.

192 Hollow Metal Mounting Channel Center Hung

RIXSON®

ASSA ABLOY

www.rixson.com

TEMPLATE NUMBER

OC60000

DATE

04-09