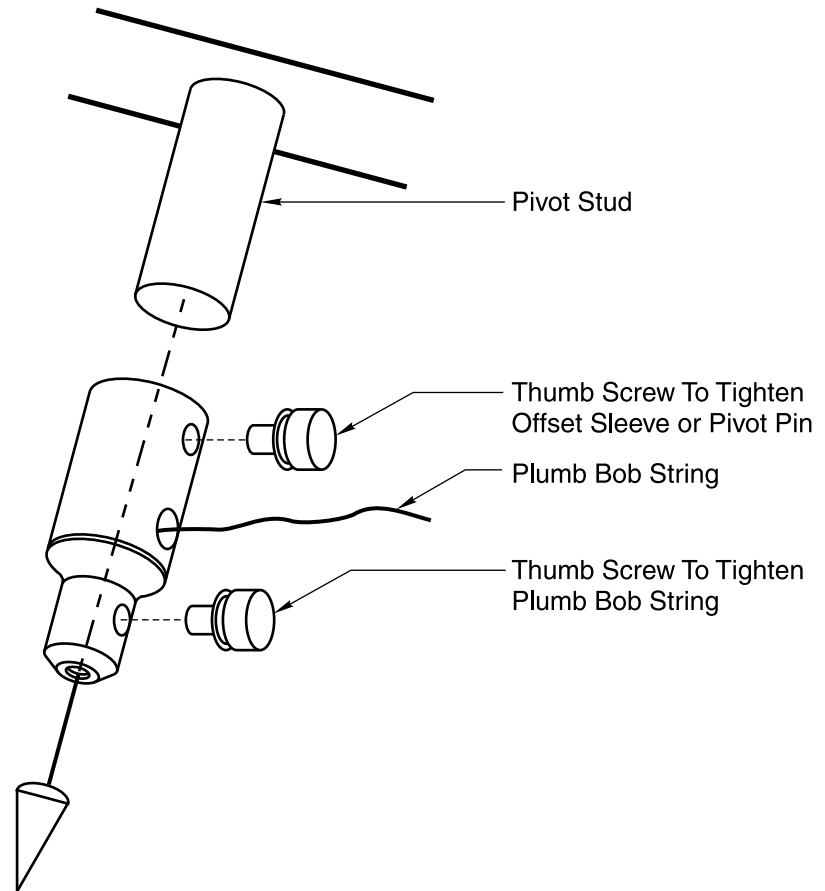


# 2604 Alignment Tool Center Hung Installation Instructions

1. Insert end of plumb line through small hole in bottom of the body and out the side hole.
2. Fish enough line through so bob can center over floor portion of the pivot.
3. Slide body over top pivot pin and tighten thumb screw.
4. Adjust height of plumb bob and allow it to center.
5. Mark holes in floor plate for drilling.



### Notes:

1. Do not scale drawing.
2. Parts not sold separately.
3. Plumb bob and string by others.

**Model 2604 Alignment Tool**

**RIXSON®**  
**ASSA ABLOY**

www.rixson.com

TEMPLATE NUMBER

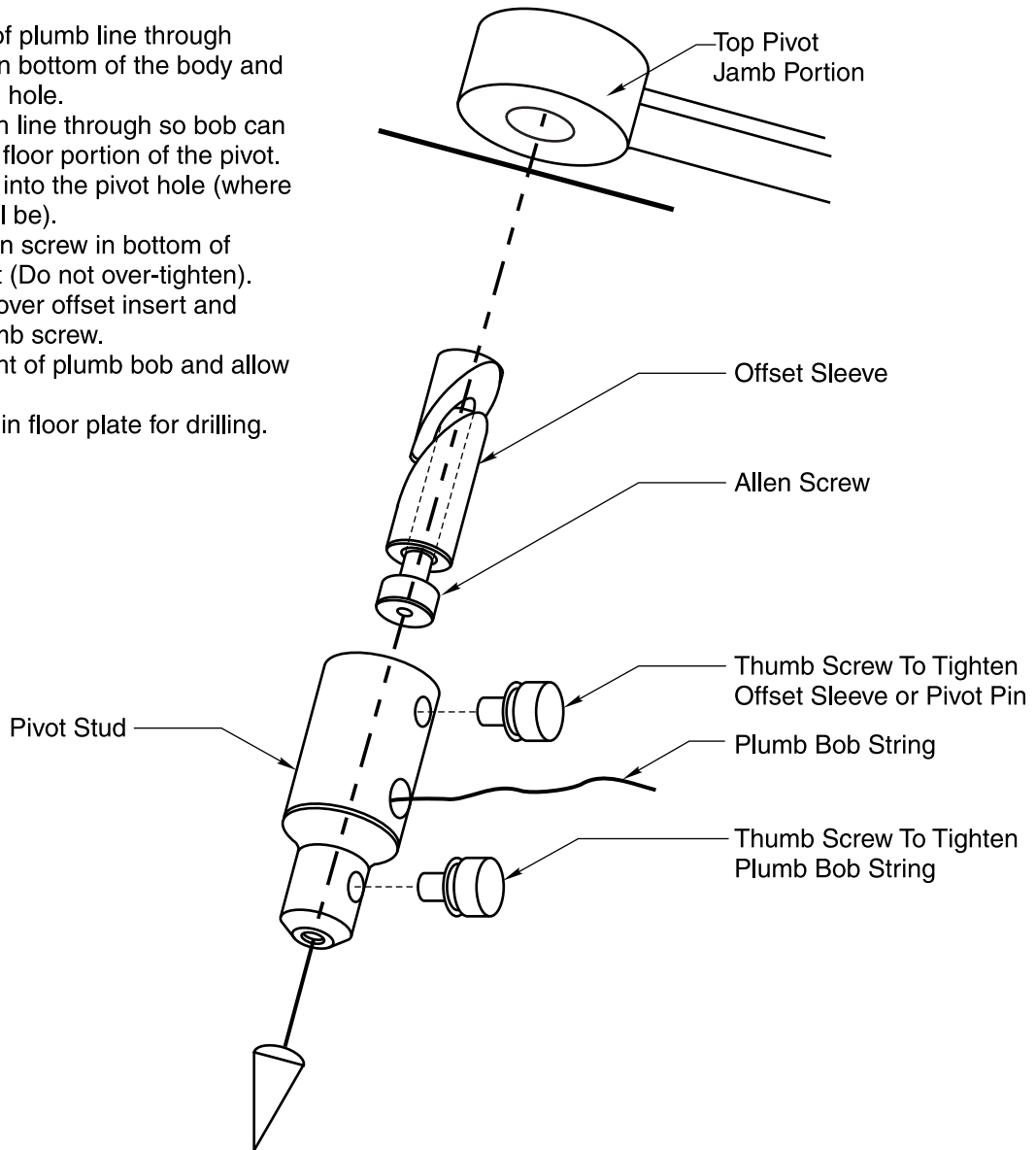
**IS2604**

DATE

**04-09**

# 2604 Alignment Tool Offset Hung Installation Instructions

1. Insert end of plumb line through small hole in bottom of the body and out the side hole.
2. Fish enough line through so bob can center over floor portion of the pivot.
3. Slide insert into the pivot hole (where pivot pin will be).
4. Tighten allen screw in bottom of offset insert (Do not over-tighten).
5. Slide body over offset insert and tighten thumb screw.
6. Adjust height of plumb bob and allow it to center.
7. Mark holes in floor plate for drilling.



**Notes:**

1. Do not scale drawing.
2. Parts not sold separately.
3. Plumb bob and string by others.

**Model 2604 Alignment Tool**

**RIXSON®**  
**ASSA ABLOY**

www.rixson.com

TEMPLATE NUMBER

**IS2604**

DATE

**04-09**