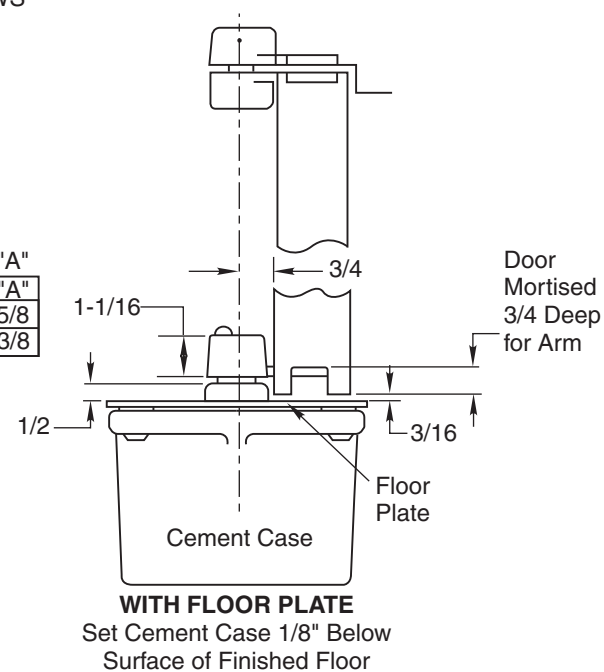


WITH THRESHOLD
Set Cement Case Flush with Finished Floor



WITH FLOOR PLATE
Set Cement Case 1/8" Below Surface of Finished Floor

Notes:

1. Do not scale drawing.
2. Right hand shown.
3. If vertical adjustment is required, two (2) 1/16" shims are provided. Place shims between arm and arm bearing washer.
4. All dimensions given in inches. Conversion from inches to metric: inch x 25.4

**27 and 27-180 Floor Closers
3/4" Offset**

RIXSON®
ASSA ABLOY

www.rixson.com

TEMPLATE NUMBER

OS10055

DATE

10-12