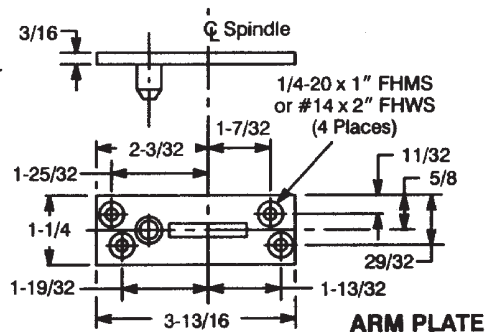
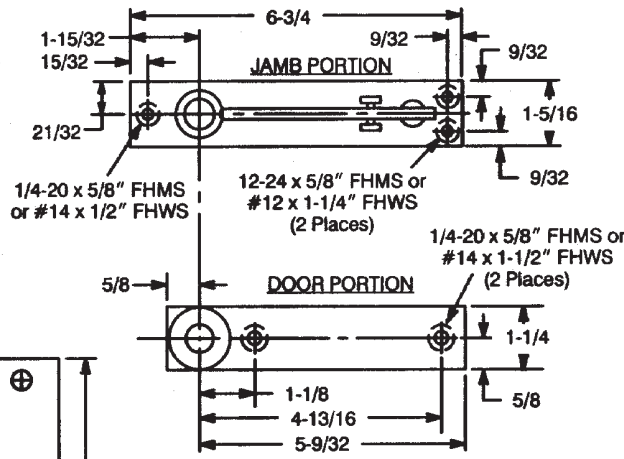
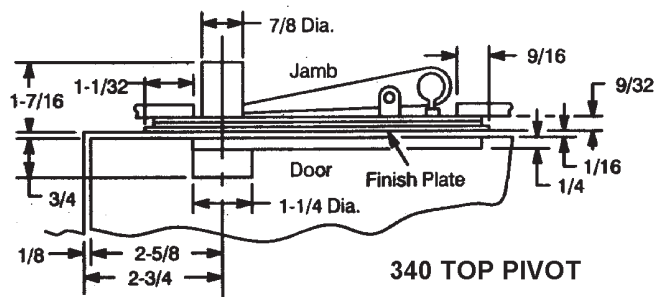


Notes:

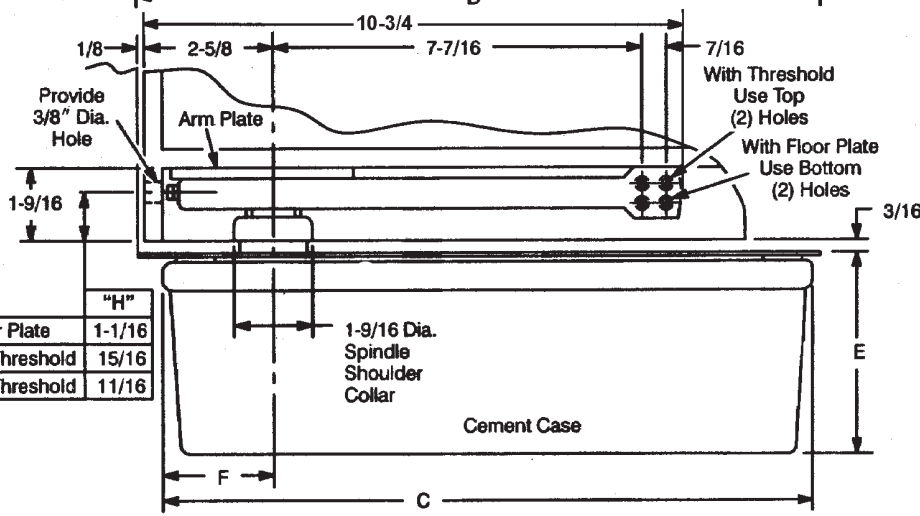
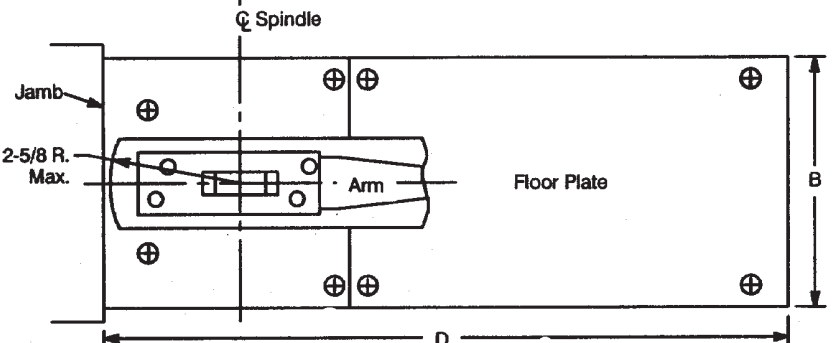
1. Do not scale drawing.
2. Suitable reinforcing by others.
3. Rixson design threshold available on request.
4. Provide 5/8" dia. hole for alignment screw.
5. All dimensions given in inches.
6. Auxiliary stop required.



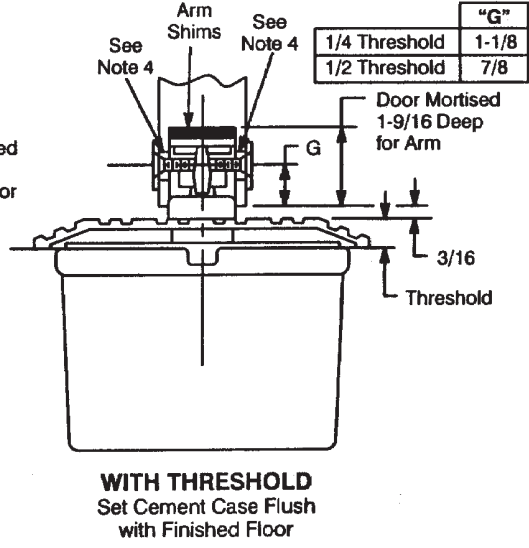
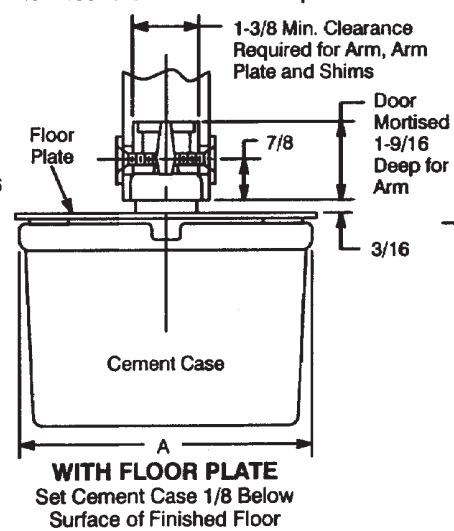
Template covers following 30-40 floor closers:

- 30 NHO x 103° Dead Stop
- 40 NHO x 103° Dead Stop
- 30 x 90° HO x 103° Dead Stop
- 40 x 90° HO x 103° Dead Stop
- 30 x 100° HO x 103° Dead Stop
- 40 x 100° HO x 103° Dead Stop

Closer No.	Dimensions					
	A	B	C	D	E	F
30	5-3/8	5-1/2	14-9/16	15-1/8	3-5/8	2-5/16
40	6-1/16	6-1/8	17	17-1/4	4-1/16	2-9/16



"H"	
Floor Plate	1-1/16
1/4 Threshold	15/16
1/2 Threshold	11/16



30 and 40 Series Floor Closers  
Center Hung  
Double Acting

**RIXSON**  
ASSA ABLOY  
www.rixson.com

TEMPLATE NUMBER **CH20300** DATE **02-09**