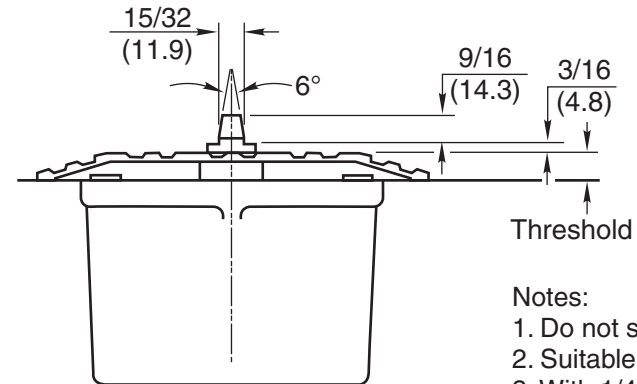
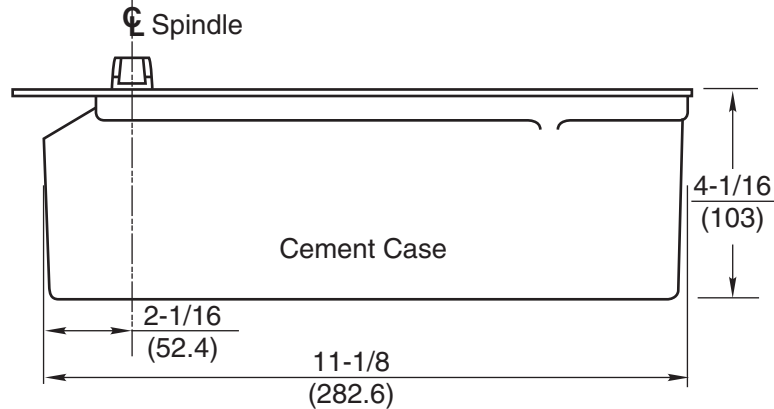


WITH FLOOR PLATE
Set Cement Case 1/8" Below
Surface of Finished Floor



WITH THRESHOLD
Set Cement Case Flush
with Finished Floor
(See Note 3)

Notes:

1. Do not scale drawing.
2. Suitable reinforcing by others.
3. With 1/4" threshold order 1/4" longer spindle. With 1/2" threshold order 1/2" longer spindle.
4. For use only on glass doors using patch fittings.
5. All dimensions given in inches (mm).

6/94

328 Floor Closer
Single Acting, Center Hung
For Use on Glass Doors with Patch Fittings

RIXSON®

ASSA ABLOY

www.rixson.com

TEMPLATE NUMBER

CH20500

DATE

02-09