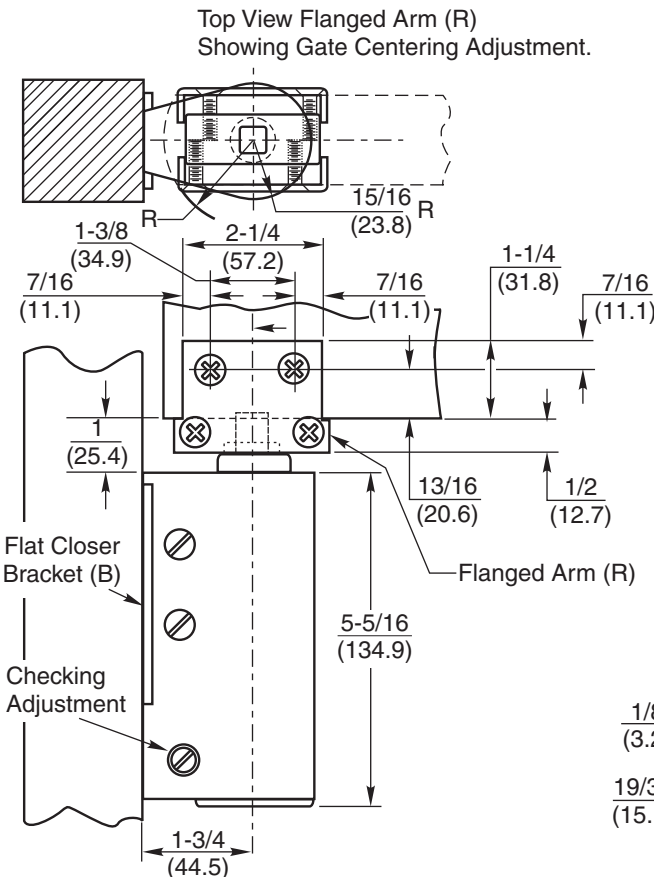
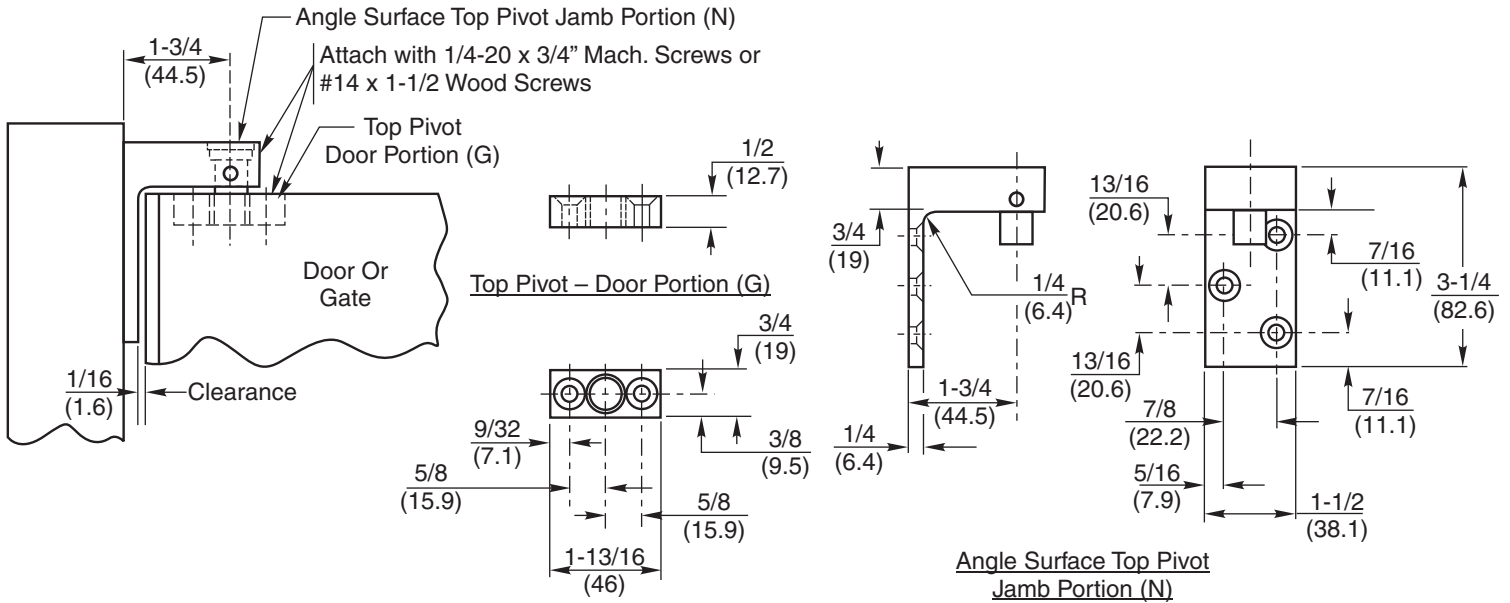
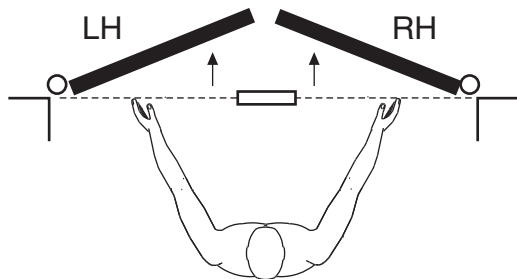


Template



DO NOT SCALE DRAWING
Dimensions given in inches (mm).

How To Determine Hand of Door



Face a door swinging open away from you. If it opens to the right, it is right hand. If it opens to the left, it is left hand.

Installation Instructions

- Step 1.** Secure the flat Check Bracket "B" on the jamb or gate post.
- Step 2.** If Angle Surface Top Pivot "N" is used, mount to the surface of the jamb or gate post as shown.
- Step 3.** Flanged Arm "R" may be placed on the Closer Spindle in a position to hold the door open at 90° or to close the door. The four screws at the bottom of the flanges are for use in centering a double acting door and for pulling a single acting door toward the door stop to insure full closing.
- Step 4.** THE ARM CLAMPING SCREWS MUST BE TIGHT. Use wrench supplied.
- Step 5.** The door is then hung, the last operation being to screw the arm tightly to the bottom of the door.

Double Acting Doors: If the door does not center properly in the opening, **LOOSEN THE ARM CLAMPING SCREW** until the door swings free on the knurled bushing on the Closer Spindle. Move the door to the desired position and **TIGHTEN THE CLAMPING SCREWS**. (BE SURE THEY ARE VERY TIGHT.)

Single Acting Door: Adjust the closing speed of the door with the valve located near the bottom of the Closer to allow the door to close quickly without slamming.

Double Acting Door: Adjust the valve so door is dampened (no "flip-flop") at the closed position.

