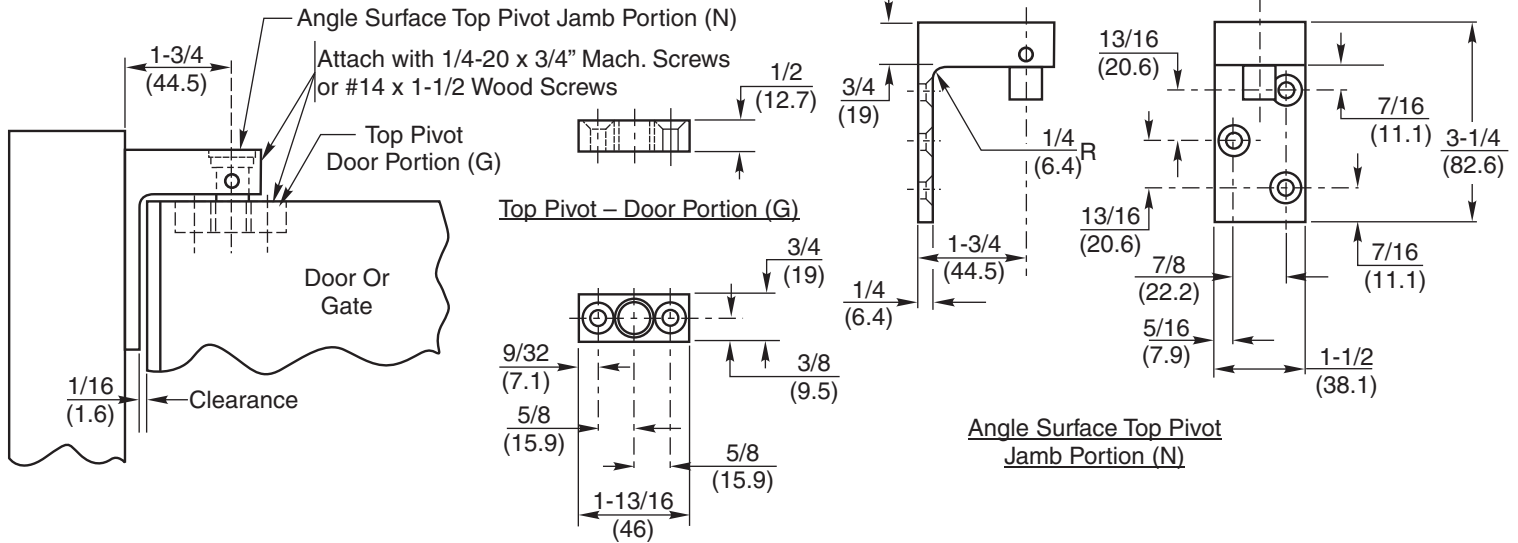
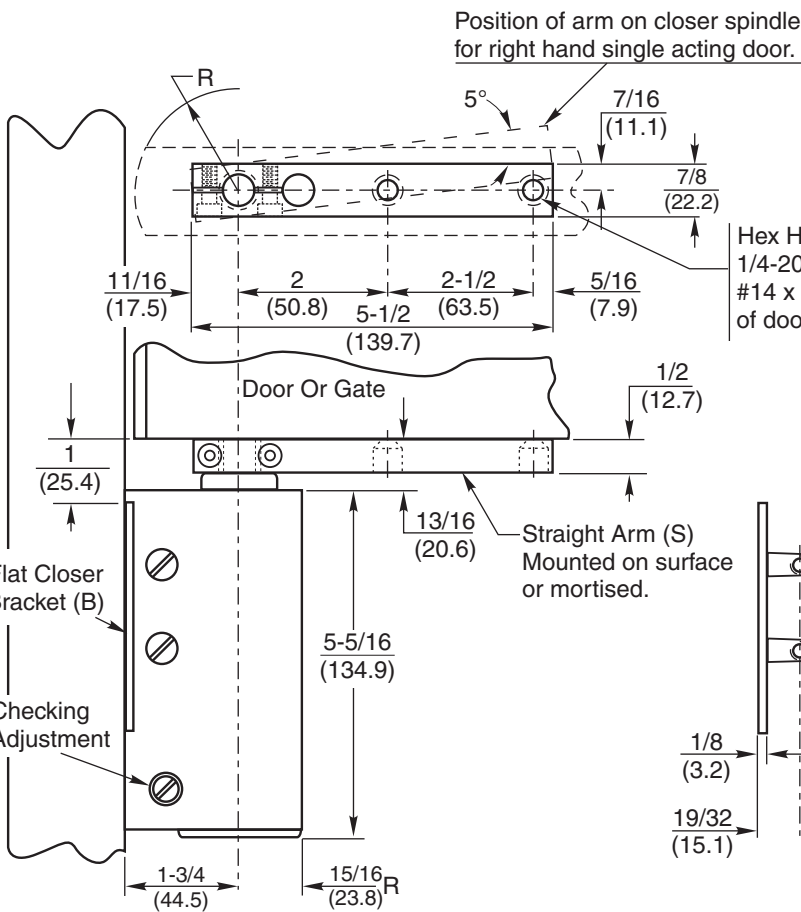
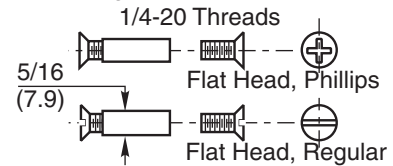


## Template

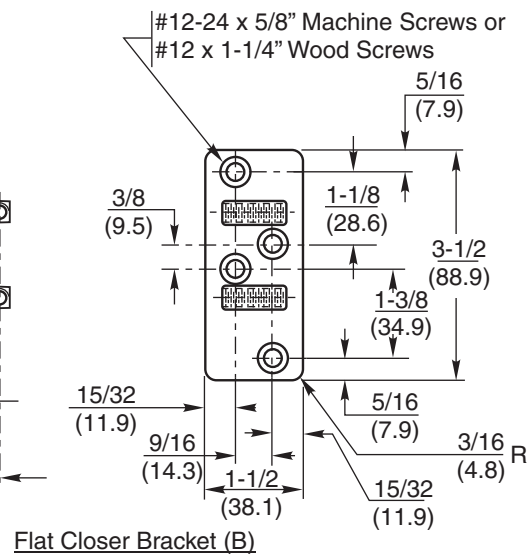


**Angle Surface Top Pivot Jamb Portion (N)**

### Flange Screws & Sleeves

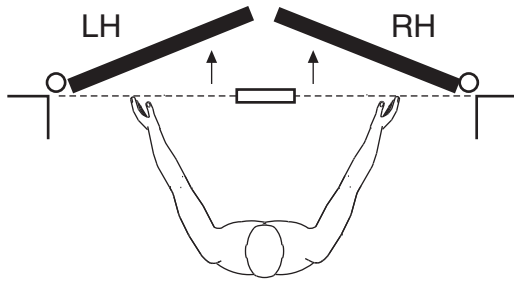


Hex Hollow Flat Head  
1/4-20 x 3/4" Machine Screws or  
#14 x 1-1/2 Wood Screws on centerline  
of door. Set screws with wrench.



DO NOT SCALE DRAWING  
Dimensions given in inches (mm).

## How To Determine Hand of Door



Face a door swinging open away from you. If it opens to the right, it is right hand. If it opens to the left, it is left hand.

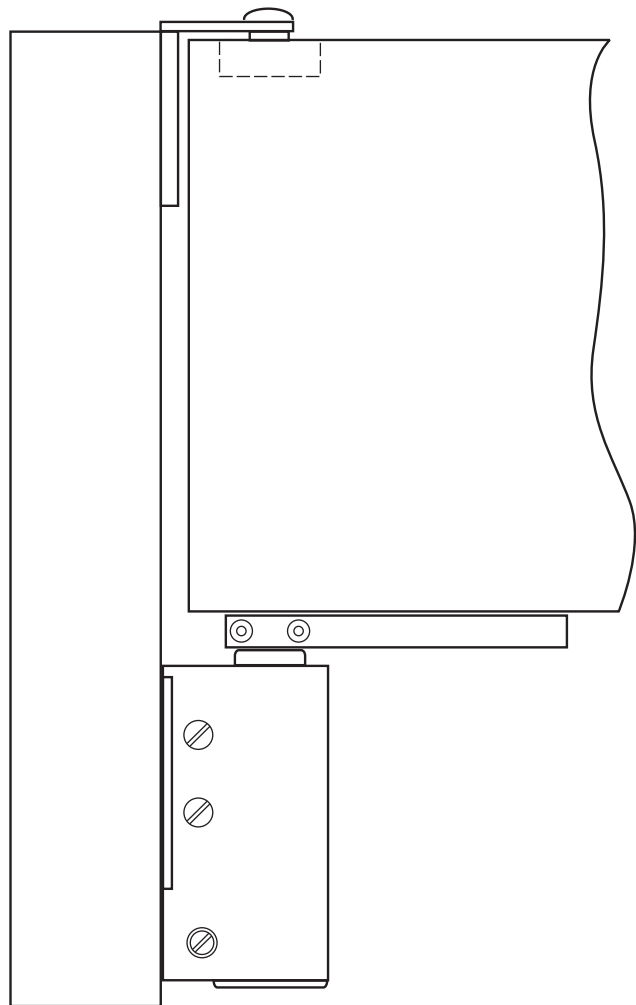
## Installation Instructions

- Step 1.** Secure the flat Check Bracket "B" on the jamb or gate post.
- Step 2.** If Angle Surface Top Pivot "N" is used, mount to the surface of the jamb or gate post as shown.
- Step 3.** Straight Arm "S" - The arm may be clamped on the closer spindle to bring the door to rest at any position desired. To have the door open 90° and stop at this point, set the arm at 90° to the closer.  
On single acting doors closing against a stop. The arm is set at an angle of 5° past the closed position of the door to insure tight closing against the door strip.  
On double acting doors, center door in opening before tightening Clamp Screw.
- Step 4.** THE ARM CLAMPING SCREWS MUST BE TIGHT. Use wrench supplied.
- Step 5.** The door is then hung, the last operation being to screw the arm tightly to the bottom of the door.

**Double Acting Doors:** If the door does not center properly in the opening, LOOSEN THE ARM CLAMPING SCREW until the door swings free on the knurled bushing on the Closer Spindle. Move the door to the desired position and TIGHTEN THE CLAMPING SCREWS. (BE SURE THEY ARE VERY TIGHT.)

**Single Acting Door:** Adjust the closing speed of the door with the valve located near the bottom of the Closer to allow the door to close quickly without slamming.

**Double Acting Door:** Adjust the valve so door is dampened (no "flip-flop") at the closed position.



ASSA ABLOY is the global leader in door opening solutions, dedicated to satisfying end-user needs for security, safety and convenience.

Rixson® is a registered trademark of Yale Security Inc., an ASSA ABLOY Group company. Copyright© 2004, 2009, Yale Security Inc., an ASSA ABLOY Group company. All rights reserved. Reproduction in whole or in part without the express written permission of Yale Security Inc. is prohibited.