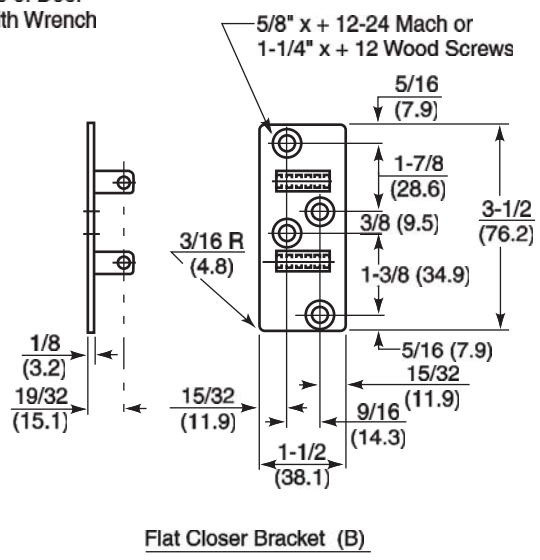
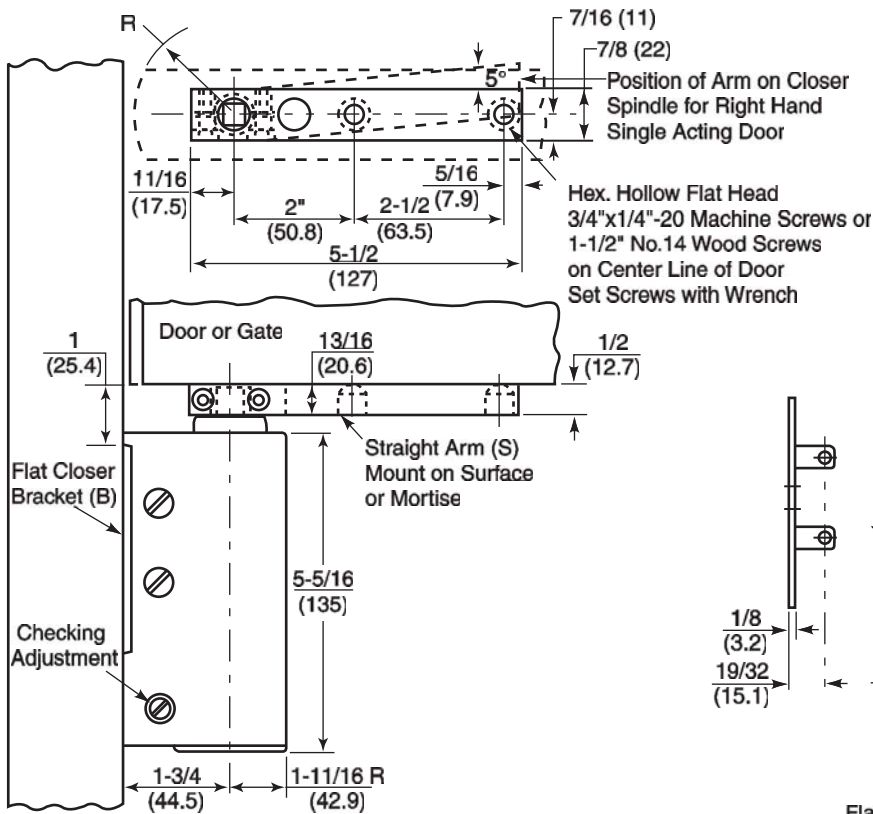
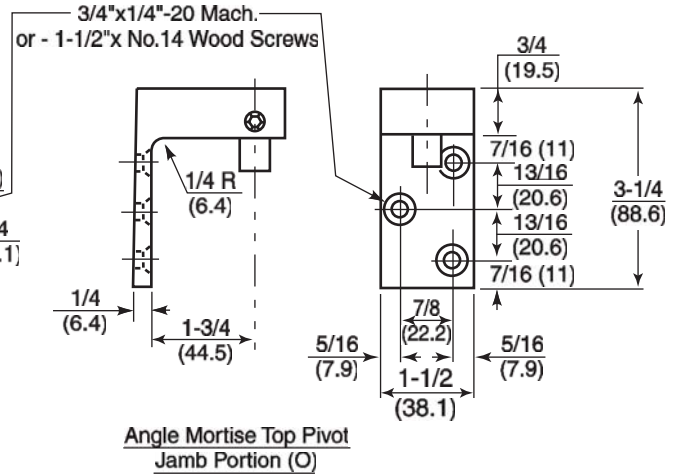
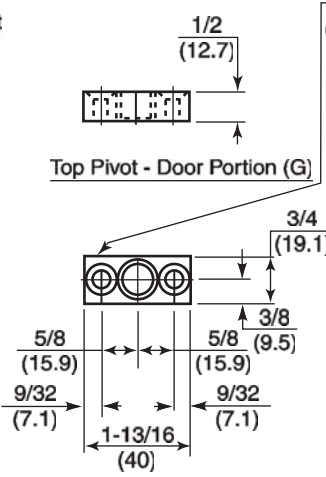
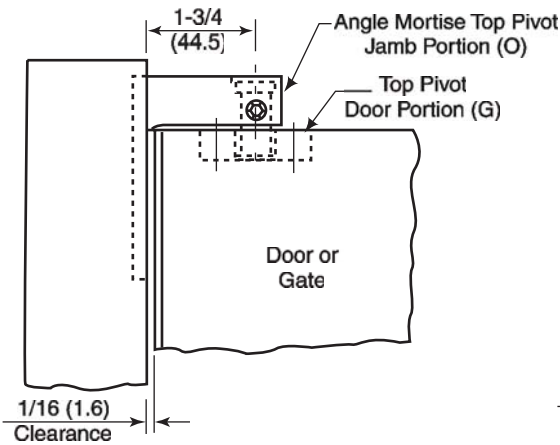


## Template

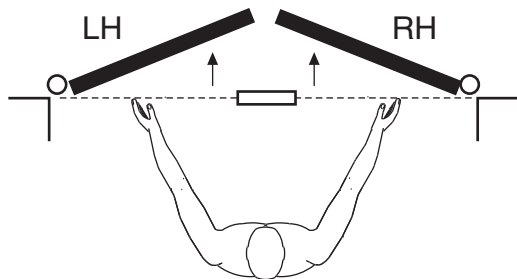
Double Acting Door - Center Door in Opening  
 Before Tightening Clamping Screw  
 Single Acting Door - Clamp Arm on Spindle  
 5° Past Closed Position of Door

**IMPORTANT**  
 Specify Wood or Machine Screws for Jamb  
 Specify Wood or Machine Screws for Door or Gate  
 Specify thickness of Door or Gate



DO NOT SCALE DRAWING  
 Dimensions given in inches (mm).

## How To Determine Hand of Door



Face a door swinging open away from you. If it opens to the right, it is right hand. If it opens to the left, it is left hand.

## Installation Instructions

**Step 1.** Secure the flat Check Bracket "B" on the jamb or gate post.

**Step 2.** If Angle Surface Top Pivot "N" is used, mount to the surface of the jamb or gate post as shown.

**Step 3.** Straight Arm "S" - The arm may be clamped on the closer spindle to bring the door to rest at any position desired. To have the door open 90° and stop at this point, set the arm at 90° to the closer. On single acting doors closing against a stop. The arm is set at an angle of 5° past the closed position of the door to insure tight closing against the door strip. On double acting doors, center door in opening before tightening Clamp Screw.

**Step 4.** THE ARM CLAMPING SCREWS MUST BE TIGHT. Use wrench supplied.

**Step 5.** The door is then hung, the last operation being to screw the arm tightly to the bottom of the door.

**Double Acting Doors:** If the door does not center properly in the opening, LOOSEN THE ARM CLAMPING SCREW until the door swings free on the knurled bushing on the Closer Spindle. Move the door to the desired position and TIGHTEN THE CLAMPING SCREWS. (BE SURE THEY ARE VERY TIGHT.)

**Single Acting Door:** Adjust the closing speed of the door with the valve located near the bottom of the Closer to allow the door to close quickly without slamming.

**Double Acting Door:** Adjust the valve so door is dampened (no "flip-flop") at the closed position.

