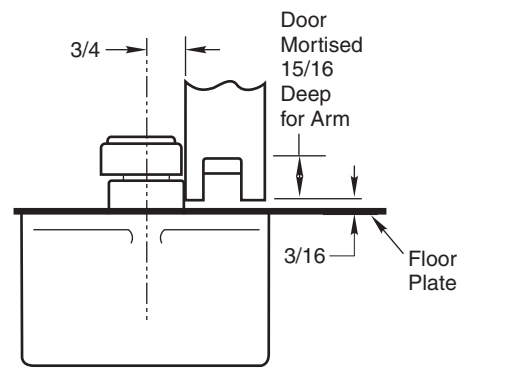
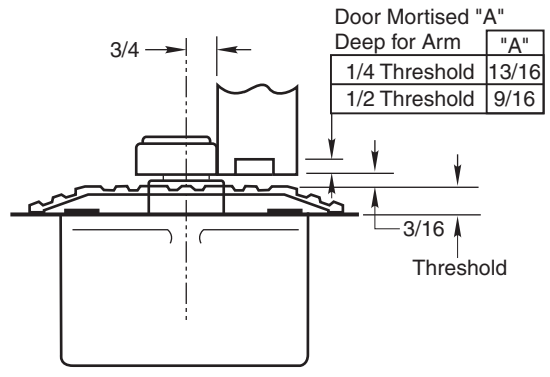
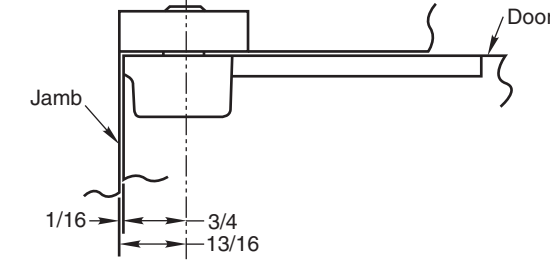
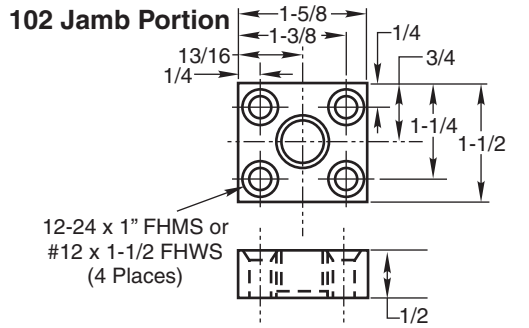
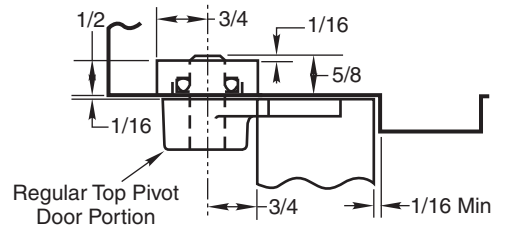
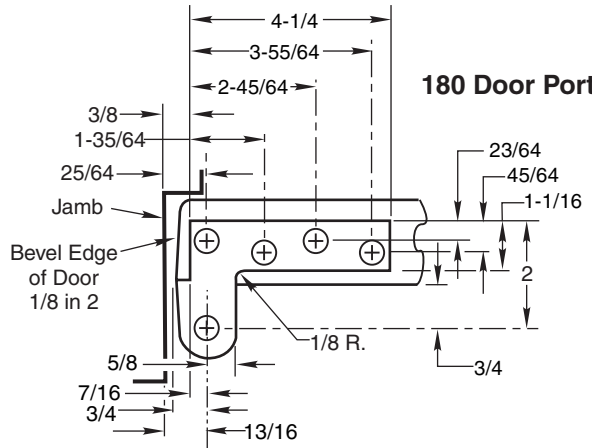
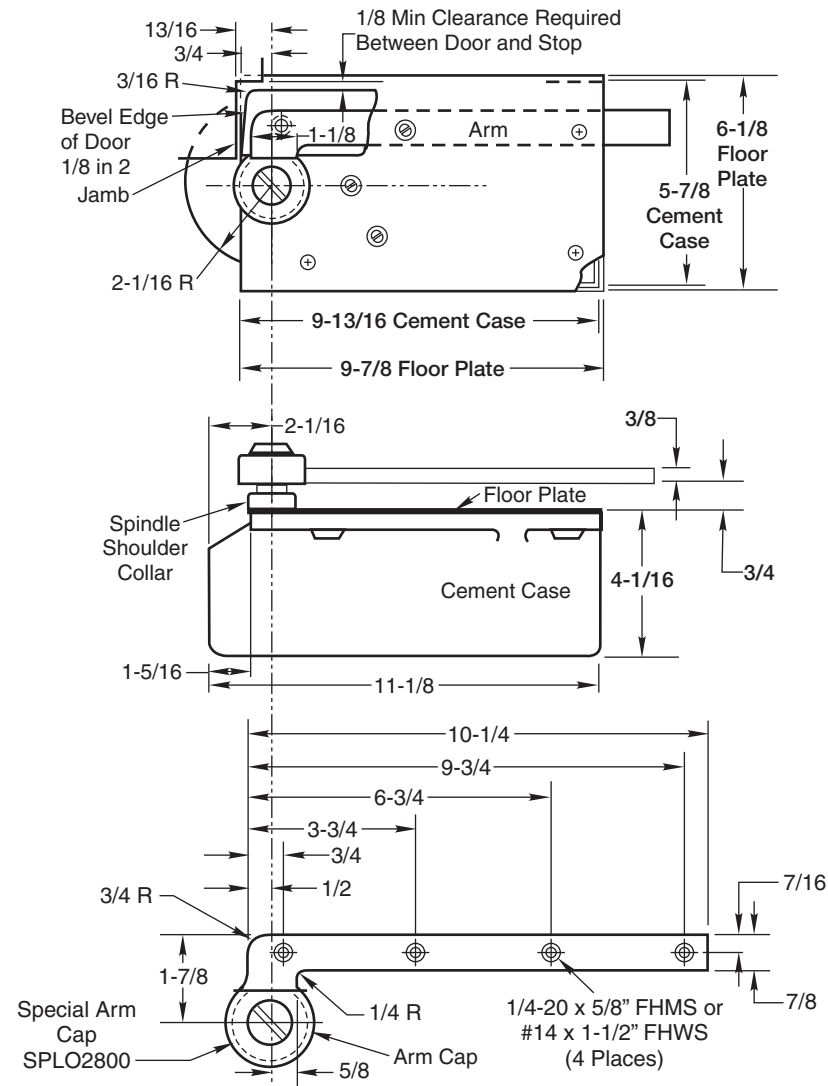


Notes:

1. Do not scale drawing.
2. Minimum backset or reveal of door is 1-5/8".
3. All dimensions given in inches.



WITH THRESHOLD
Set Cement Case Flush with Finished Floor

WITH FLOOR PLATE
Set Cement Case 1/8" Below Surface of Finished Floor

**427 Floor Closer
3/4" Offset for Deep Reveals**

RIXSON®
ASSA ABLOY

www.rixson.com

TEMPLATE NUMBER	DATE
OS10450	12-08