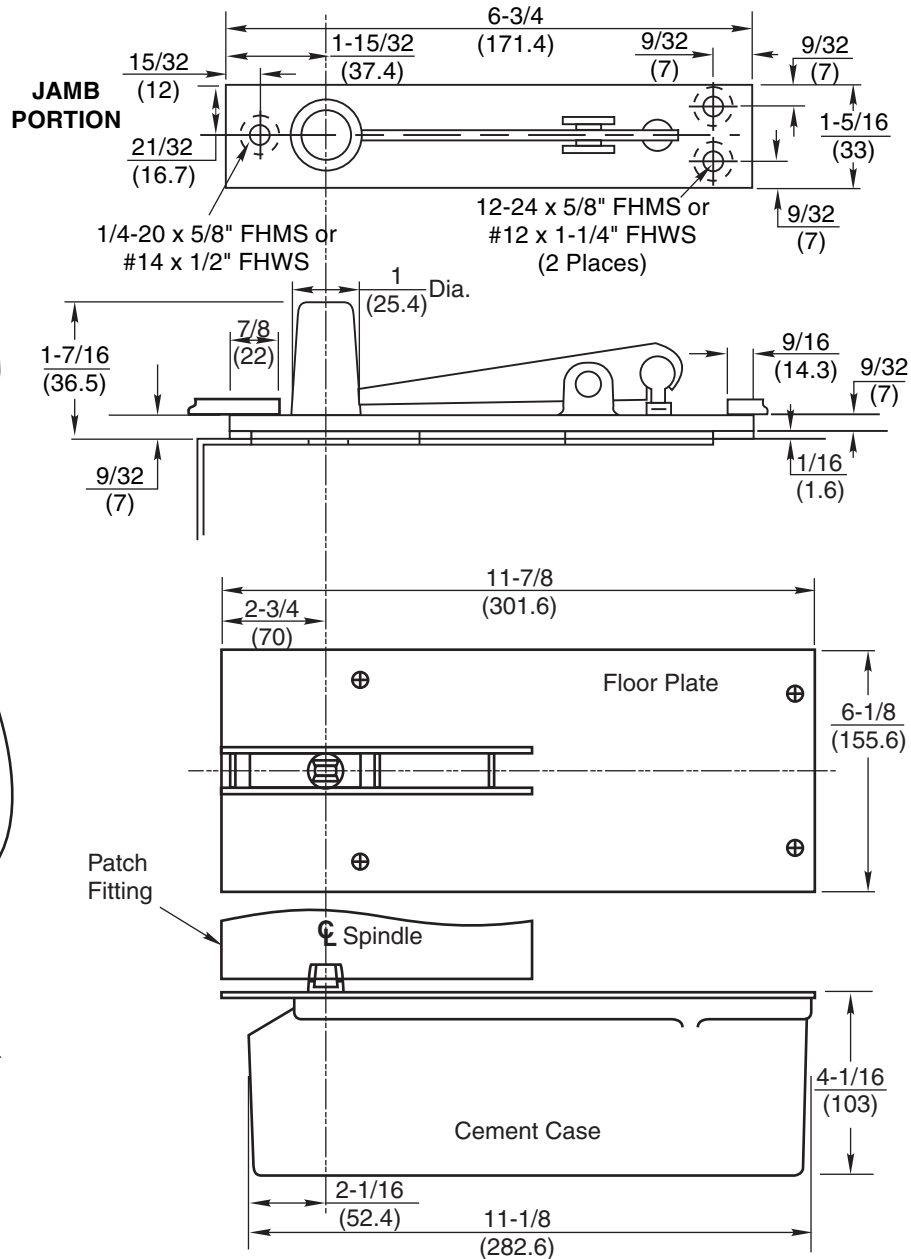
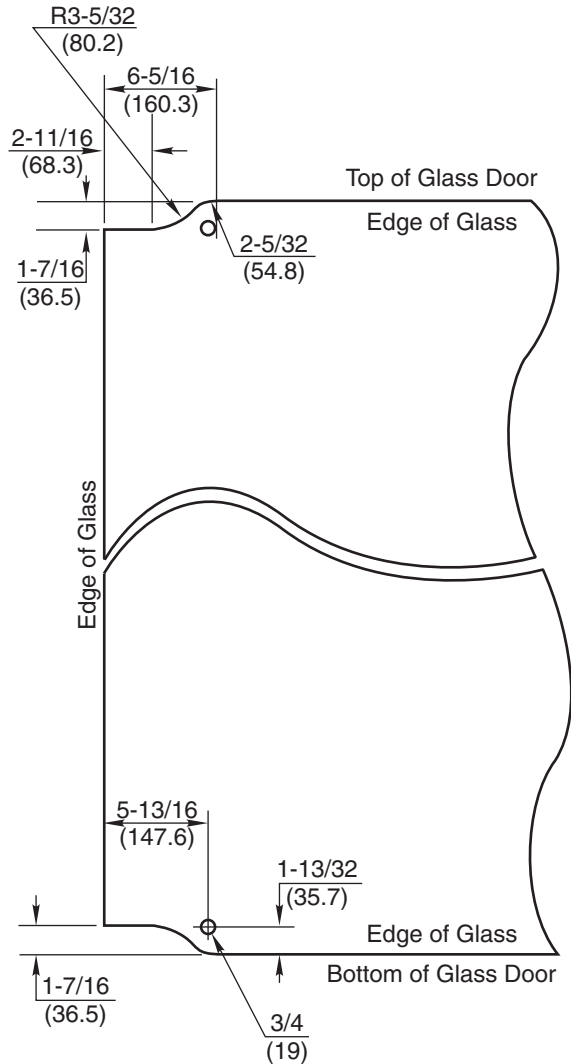
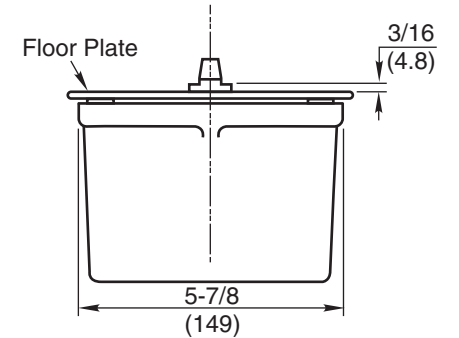


GLASS DOOR PREPARATION

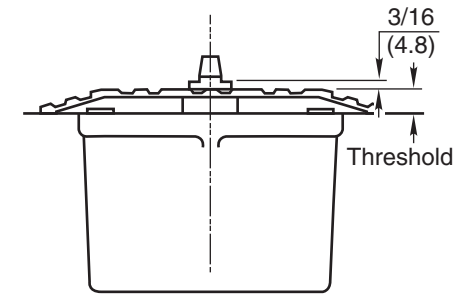


Notes:

1. Do not scale drawing.
2. Suitable reinforcing by others.
3. With 1/4" threshold order 1/4" longer spindle. With 1/2" threshold order 1/2" longer spindle.
4. For use only on glass doors using patch fittings.
5. All dimensions given in inches (mm).



WITH FLOOR PLATE
 Set Cement Case 1/8" Below Surface of Finished Floor



WITH THRESHOLD
 Set Cement Case Flush with Finished Floor (See Note 3)

428 Floor Closer Single Acting, Center Hung Patch Fitting Hung

RIXSON®
ASSA ABLOY

www.rixson.com

TEMPLATE NUMBER

DATE

CH20630

02-09