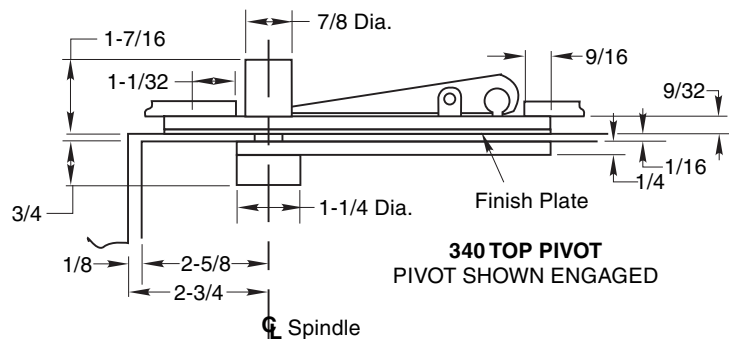
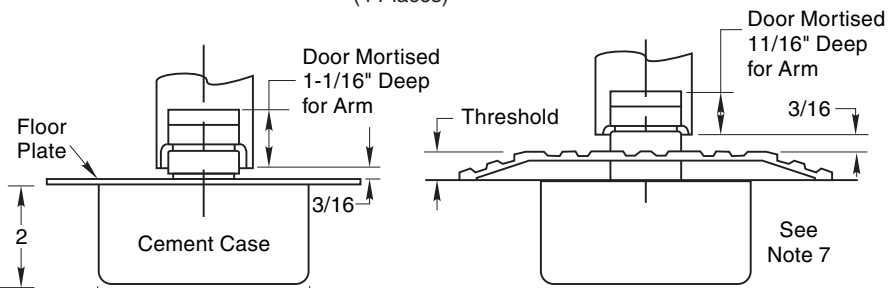
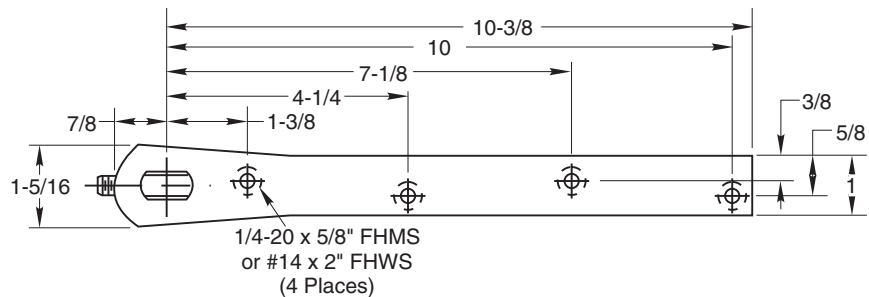
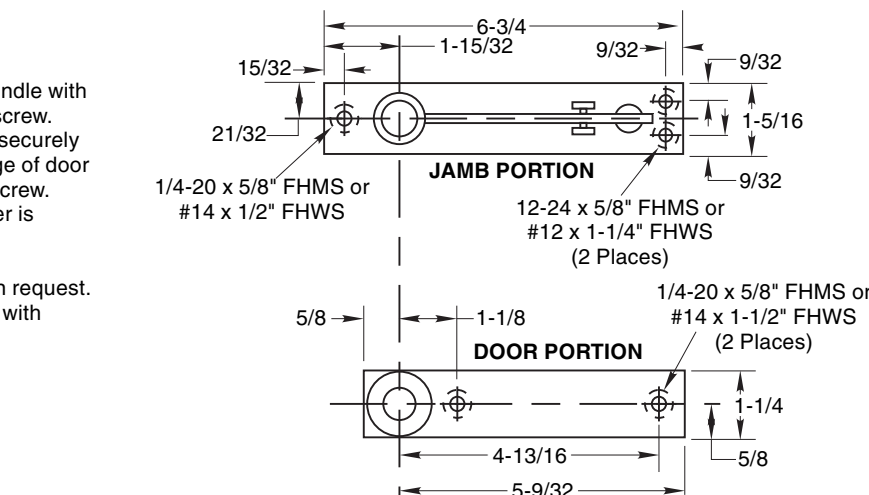
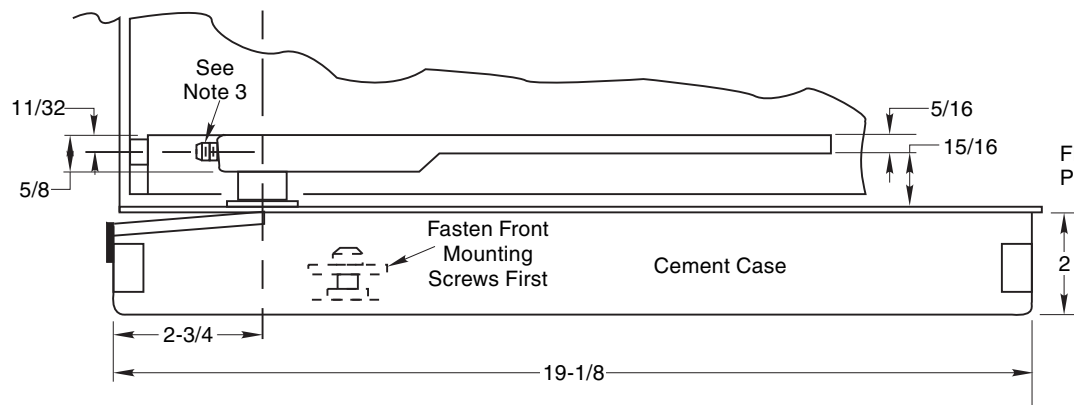
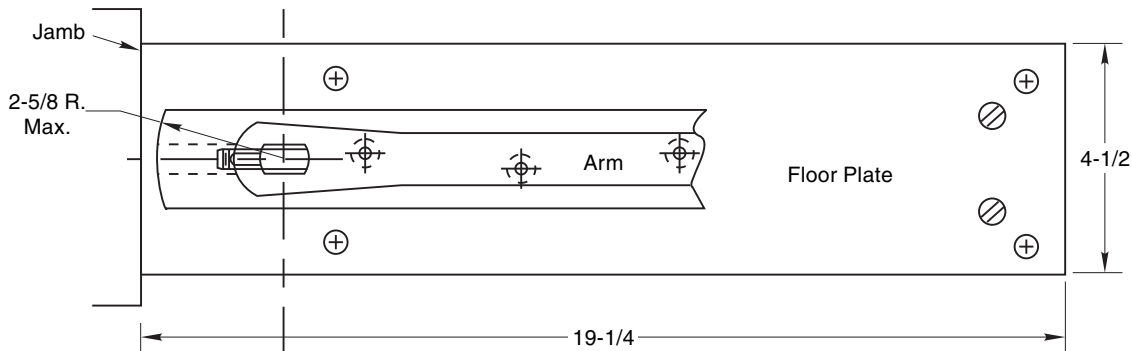


Notes:

1. Do not scale drawing.
2. Suitable reinforcing by others.
3. After mounting door, lock arm on spindle with 5/16-18 x 3/4" hex head socket set screw. Use 5/32" Allen wrench provided to securely lock arm. A 1/2" dia. hole in heel edge of door must be provided for access to set screw.
4. Do not remove grind plate until closer is installed.
5. External stop required by others.
6. Rixson design threshold available on request.
7. 1/2" extended spindle must be used with threshold application.
8. All dimensions given in inches.



**340 TOP PIVOT
PIVOT SHOWN ENGAGED**



WITH FLOOR PLATE
Set Cement Case Flush with Finished Floor

WITH THRESHOLD
Set Cement Case Surface of Finished Floor

Model	Function
501- (Size)	Single Acting

**Floor Closer
50 Series x 554 Arm
Center Hung**

RIXSON®
ASSA ABLOY

www.rixson.com

TEMPLATE NUMBER

CH20402

DATE

04-09