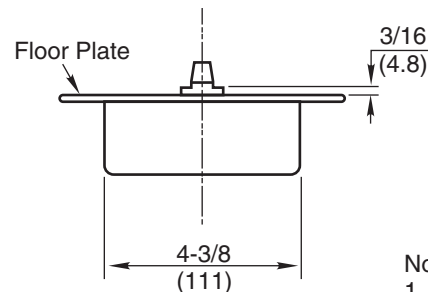
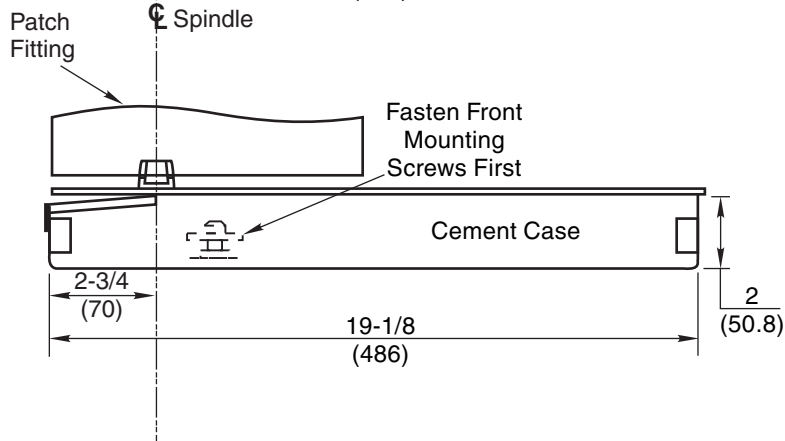


WITH THRESHOLD
Set Cement Case Surface of Finished Floor
See Note 3



WITH FLOOR PLATE
Set Cement Case Flush with Finished Floor

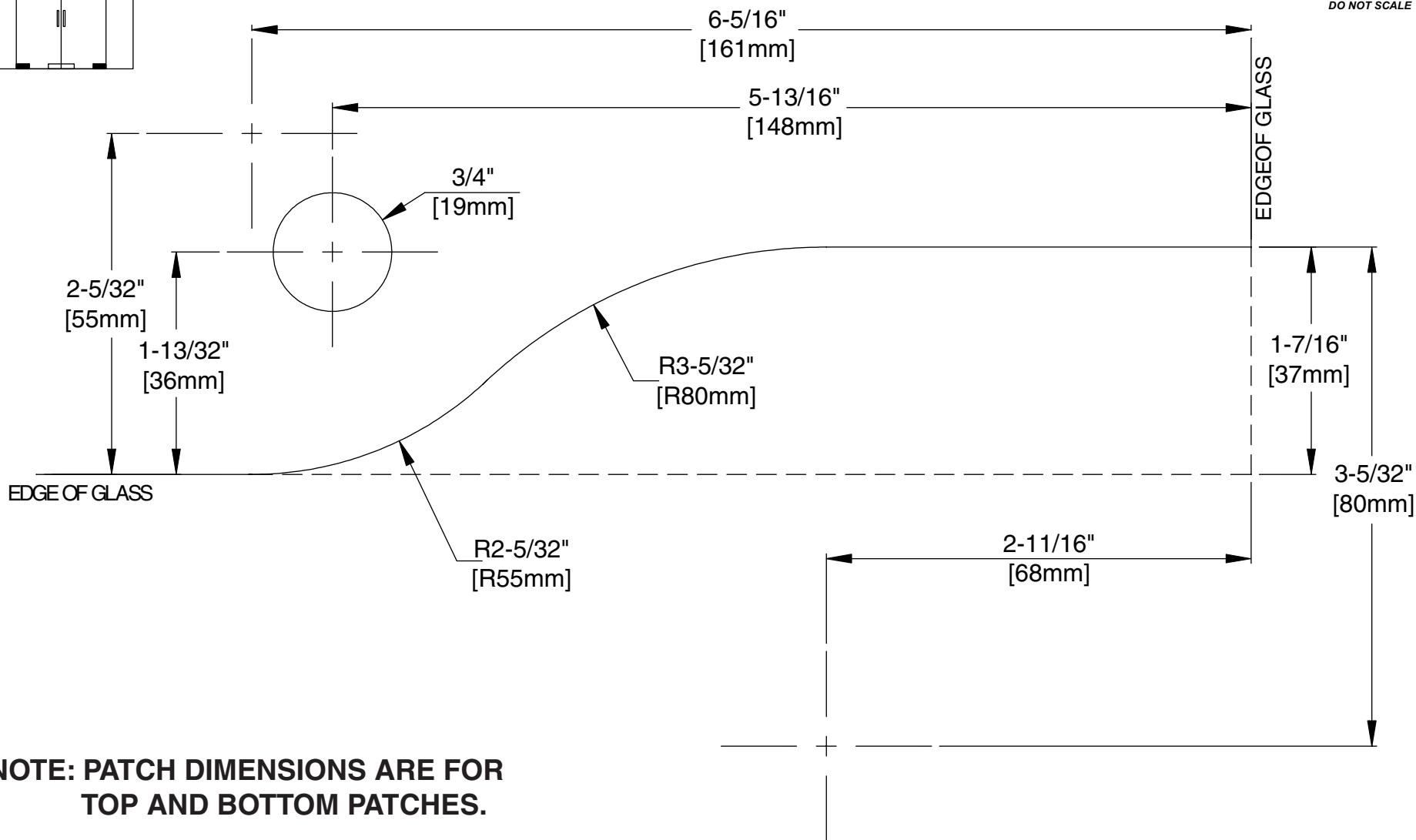
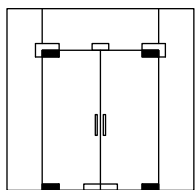
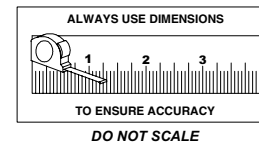
- Notes:
1. Do not scale drawing.
 2. Suitable reinforcing by others.
 3. 1/2" Extended Spindle required.
 4. Rixson design Threshold available on request.
 5. All dimensions given in inches (mm).

**5040 Series Floor Closer
Center Hung, Glass or Herculite Doors
Single Acting**

RIXSON®
ASSA ABLOY

www.rixson.com

TEMPLATE NUMBER	SHEET	DATE
CH20640	1 of 2	04-13



NOTE: PATCH DIMENSIONS ARE FOR TOP AND BOTTOM PATCHES.

**5040 Series Patch Fitting
Top and Bottom Patch**

RIXSON®

ASSA ABLOY

www.rixson.com

TEMPLATE NUMBER	SHEET	DATE
CH20640	2 of 2	04-13