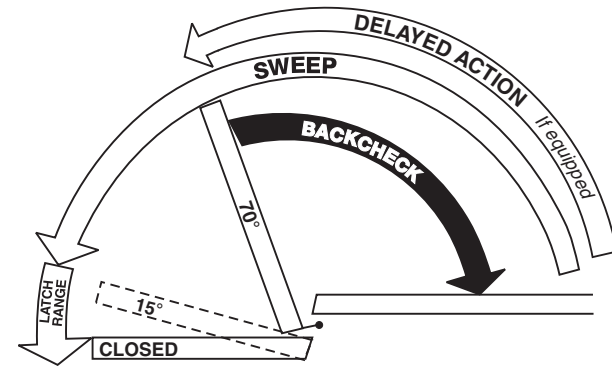


Closing speeds can be adjusted to suit local conditions and requirements. Label on closer face designates the purpose of each adjustment screw. Adjustments are for speed control.

Repairs, parts replacement or internal adjustments must be done by a Rixson authorized repair agency. Consult www.rixson.com for an authorized repair agency in your area.



- A. The stroke valve allows adjustment from open to 15°.
- B. The latch valve allows adjustment from 15° to closed position.
- C. **IMPORTANT:** Back check valve option must be adjusted to vary resistance from light to firm at 70° of door opening.
- D. The delay valve option allows closing speed adjustment from open position to 65°.



ASSA ABLOY is the global leader in door opening solutions, dedicated to satisfying end-user needs for security, safety and convenience. Rixson® is a registered trademark of Yale Security Inc., an ASSA ABLOY Group company. Copyright© 2005, 2009, Yale Security Inc., an ASSA ABLOY Group company. All rights reserved. Reproduction in whole or in part without the express written permission of Yale Security Inc. is prohibited.

RIXSON

ASSA ABLOY

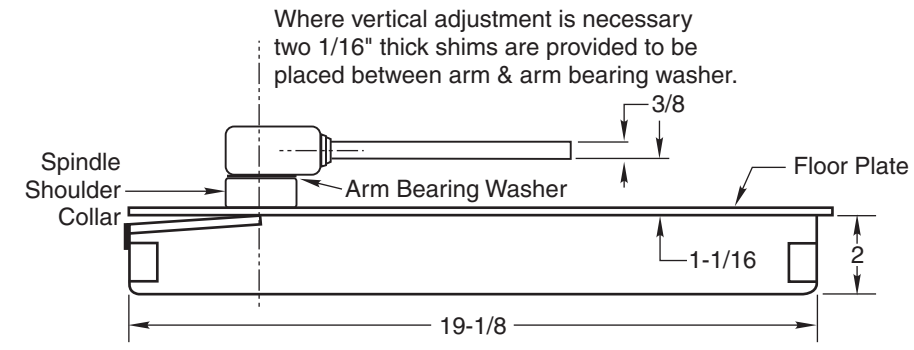
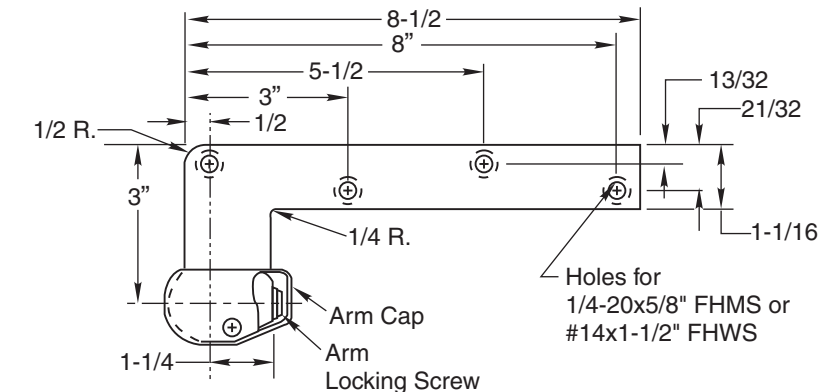
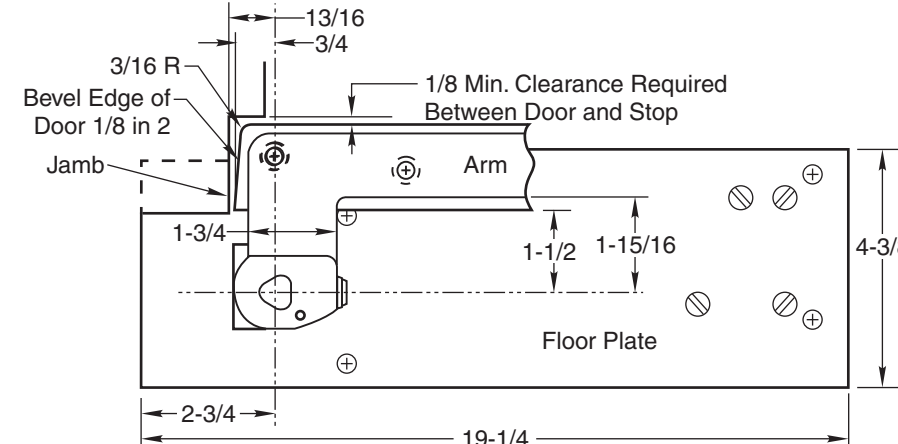
Installation Instructions

5100-1.5 (06-09)

51 Floor Closer

1-1/2" Offset Hinged
Single Acting
Handed

Template

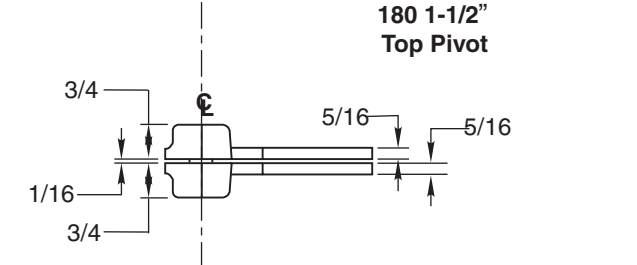
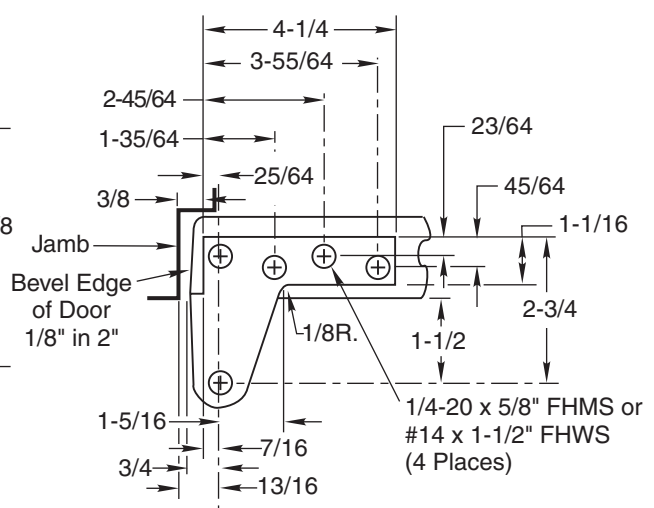


Notes:

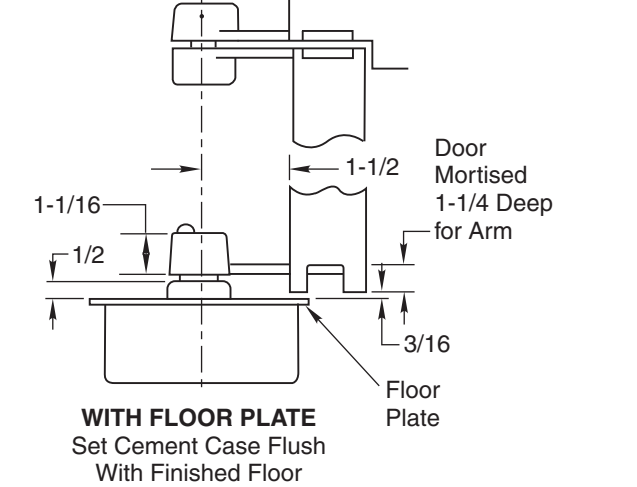
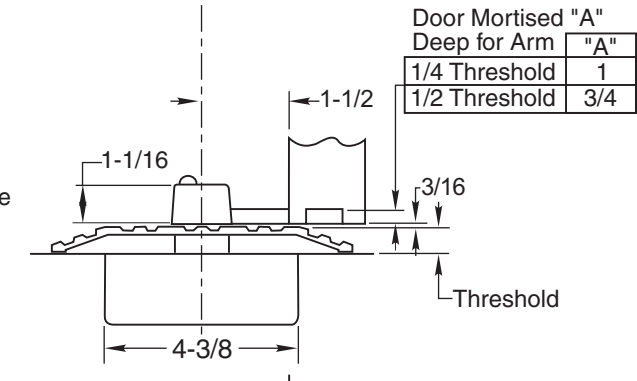
1. Do not scale drawing.
2. All dimensions given in inches.
3. Rixson design thresholds available on request.
4. Do not remove grind plate until closer is installed.
5. No built-in dead stop. External stop required, by others.

Right Hand Shown

Conversion from inches to metric: inch x 25.4

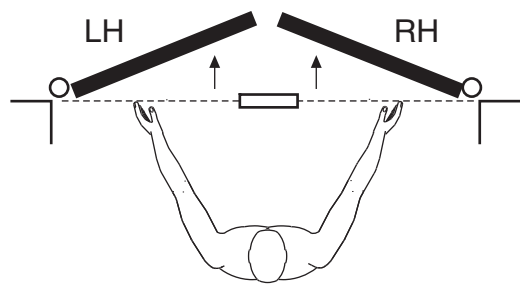


| Door Mortised "A" Deep for Arm | "A" |
|--------------------------------|-----|
| 1/4 Threshold | 1 |
| 1/2 Threshold | 3/4 |

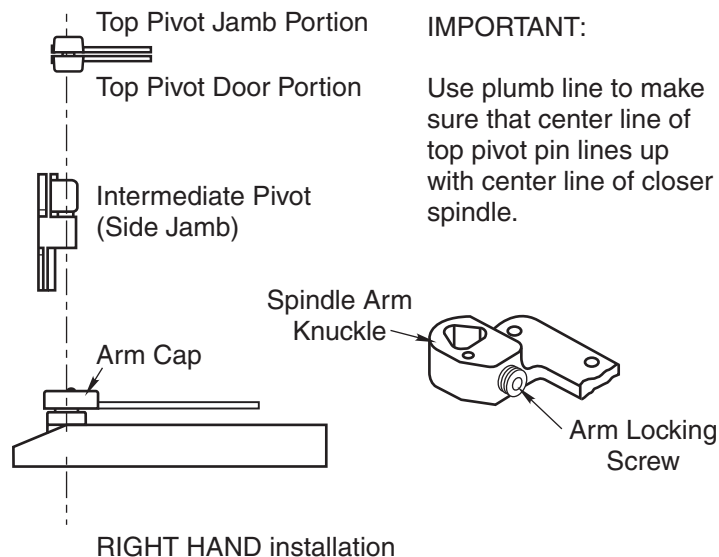


WITH FLOOR PLATE
Set Cement Case Flush
With Finished Floor

How To Determine Hand of Door



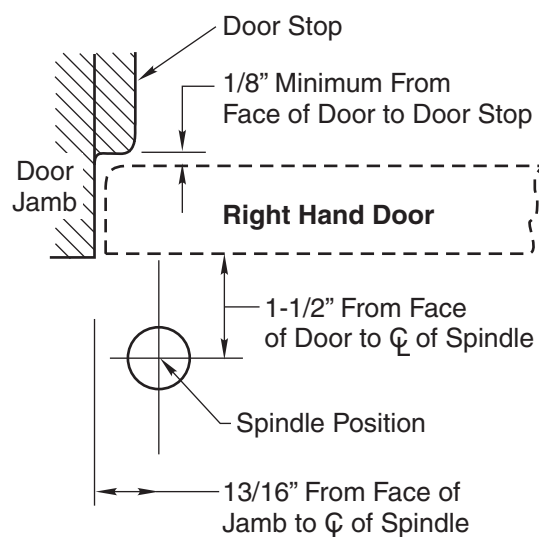
Face a door swinging open away from you. If it opens to the right, it is right hand. If it opens to the left, it is left hand.



RIGHT HAND installation

Installation Instructions

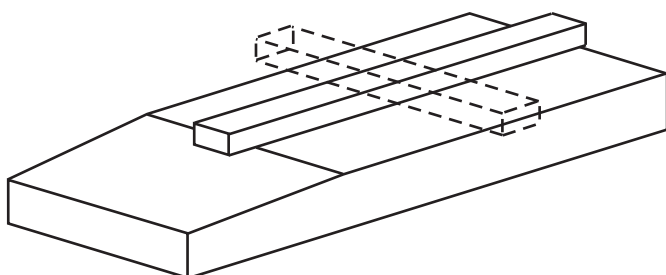
1. Install Closer



- A. Measure 13/16" out from door jamb.
- B. Allow 1/8" minimum clearance from door stop to door face. Measure door thickness. Add 1-1/2".
- C. Where lines meet determines center line of closer.

2. Install Cement Case in Floor

LEVEL IN BOTH DIRECTIONS



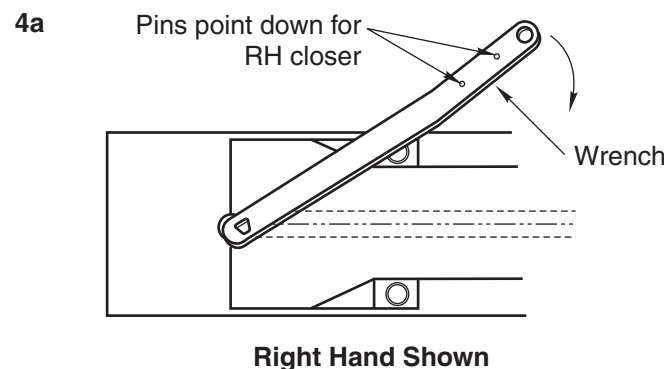
- A. Cement case is set flush with floor.
- B. Set cement case in floor and block in position.
- C. Case should be parallel with center line of door.
- D. CEMENT CASE MUST BE LEVEL. Place levels per illustration.
- E. Grout in cement case with closer. Cement should not get between closer and case.

3. Install Top Pivot and Closer Arm

- A. Install top pivot in door per template.
- B. Install top pivot in frame per template.
- C. Center line of pivot should line up with center line of closer. Use plumb line as illustrated. If center lines don't line up, loosen hold down screws (4) and reposition closer. Tighten hold down screws closest

to spindle first. Then tighten screws at cylinder end.
 Note: Closer must be lifted approximately 1/8" before repositioning.
 D. If side pivot is used, see template for intermediate pivot.

4. Hang Door



CAUTION: Closer is shipped with Closing Speed valve down. DO NOT FORCE VALVE DOWN.

- A. Using wrench, turn spindle until wrench is parallel with center line of closer. (Illustration 4a)
- B. Insert arm bearing washer over spindle then set door on closer spindle. Set door on closer spindle. DO NOT FORCE DOOR CLOSED WHILE "STROKE" VALVE IS TURNED DOWN.
- C. Push item 1 "top pivot pin" into place. Attach "cap" item 2. (Illustration 4b) CAP MUST BE TIGHTENED SECURELY.
- D. Open Stroke valve (counterclockwise) one turn.
- E. If door drags at floor (or threshold, if used), raise door to desired clearance and insert one or more 1/16" shims. (Illustration 4c)
- F. While working door back and forth TIGHTEN ARM LOCKING SCREW SECURELY with wrench furnished.
- G. Put arm cap on closer spindle and secure TIGHTLY with cap screw furnished.

