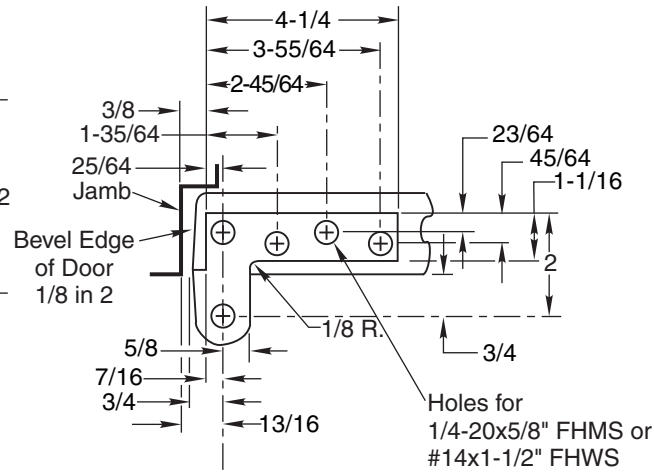
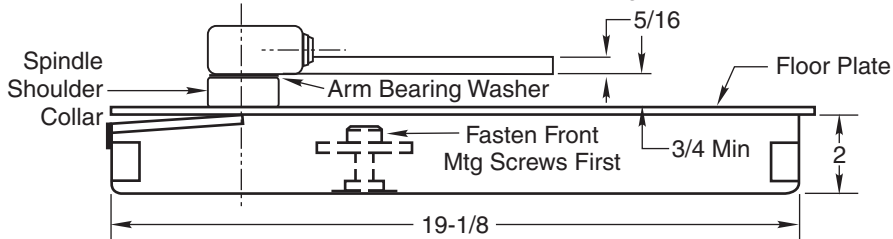
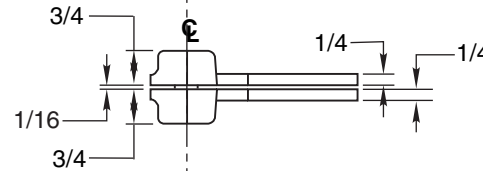


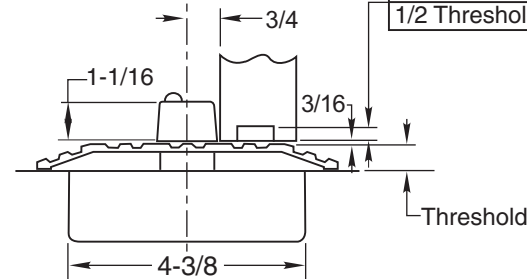
Where vertical adjustment is necessary two 1/16" thick shims are provided to be placed between arm & arm bearing washer.



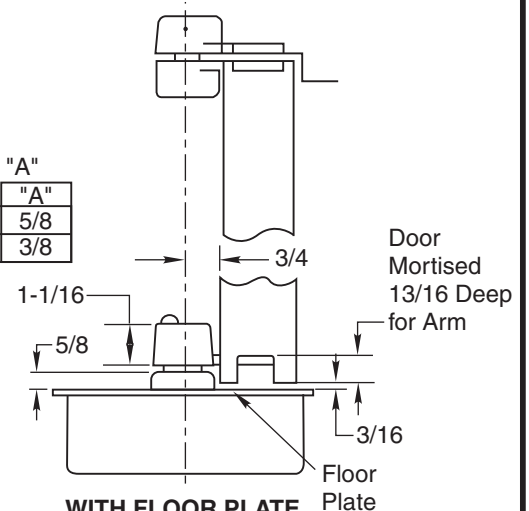
180 Top Pivot



Door Mortised "A"	
Deep for Arm	"A"
1/4 Threshold	5/8
1/2 Threshold	3/8



WITH THRESHOLD
Set Cement Case Flush with Finished Floor



WITH FLOOR PLATE
Set Cement Case Flush With Finished Floor

Notes:

1. Do not scale drawing.
2. Right Hand Shown.
3. All dimensions given in inches. Conversion from inches to metric: inch x 25.4
4. Rixson design thresholds available on request.
5. Do not remove grind plate until closer is installed.
6. No built-in dead stop. External stop required, by others.

**51 Floor Closer
3/4" Offset**

RIXSON®

ASSA ABLOY

www.rixson.com

TEMPLATE NUMBER

OS10200

DATE

12-08