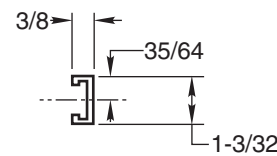
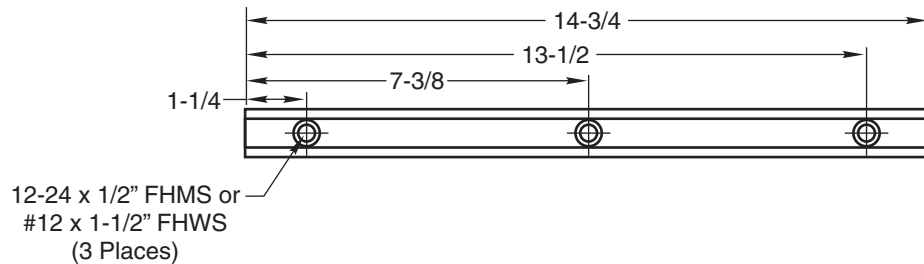
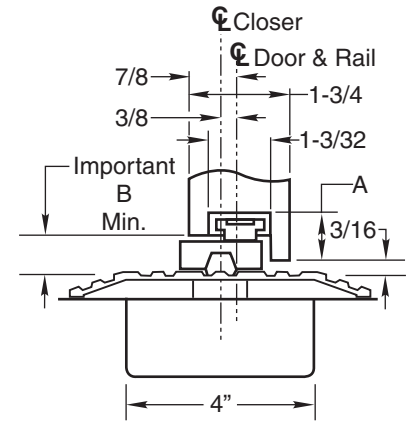
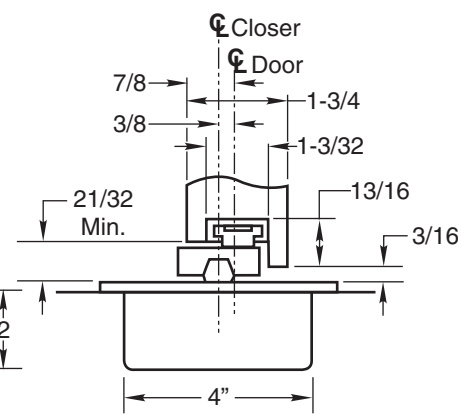
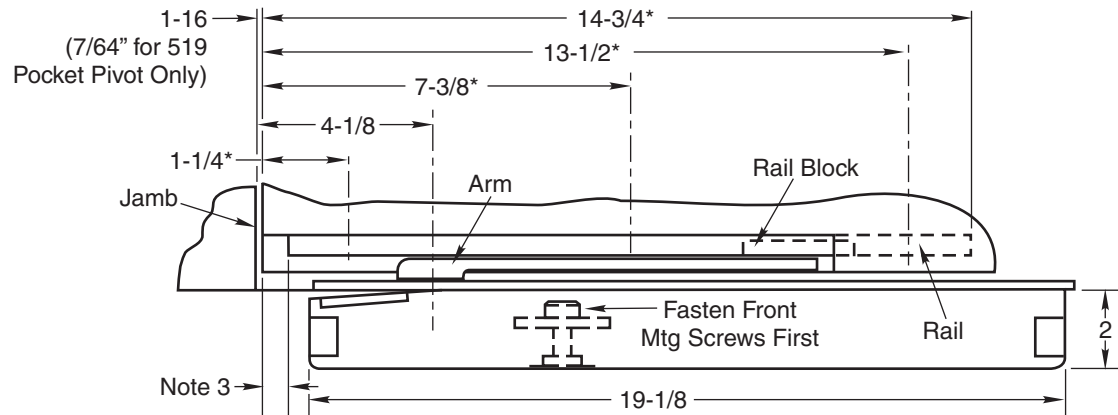


**Notes:**

1. Right Hand Shown.
2. See pivot/hinge template for door configuration.
3. Rail to be 9/16" from hinge edge of door for 519 pivot only.
4. \*Add 9/16" to these dimensions for 519 pivot only.
5. For additional template details for Rixson side jamb pivots refer to IP50050, for pocket pivot see IP50500 A & B.
6. Thresholds available on request (Rixson design Type 4).
7. When threshold is used, door closer furnished must have a 1/2" longer spindle.
8. Auxiliary heavy duty door stop required.
9. Do not remove grind plate until closer is installed.
0. Dimensions are given in inches. (Conversion from inches to metric: inch x 25.4.)

	A	B
1/4 Threshold	1-1/16	29/32
1/2 Threshold	13/16	21/32



DO NOT SCALE DRAWING

Door Thickness	Hinge/Pivot	Max Degree Opening
1-3/4"	4", 4-1/2", 5" Leaf Butt Hinge	120
	3/4" Offset Side Jamb Pivot	120
	519 Pocket Pivot	90
2-1/4"	5" Leaf Butt hinge	120
	3/4" Offset Side Jamb Pivot	110

Consult factory for other door thickness, hinge/pivot sizes or extended spindle lengths.

**53 Floor Closer  
Independently Hung**

**RIXSON®**

**ASSA ABLOY**

www.rixson.com

TEMPLATE NUMBER

**OS10600**

DATE

**12-08**