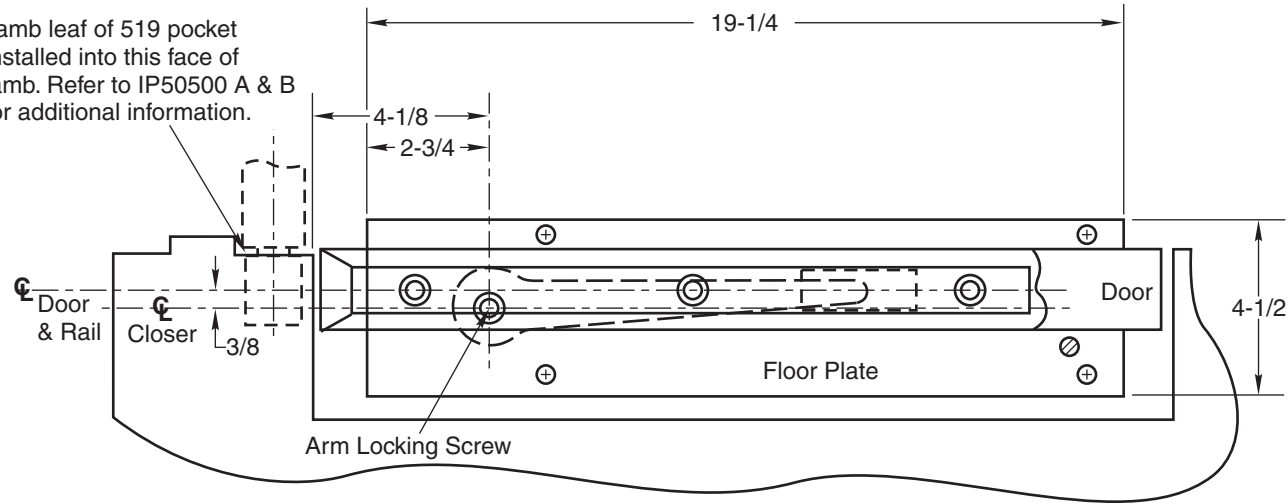
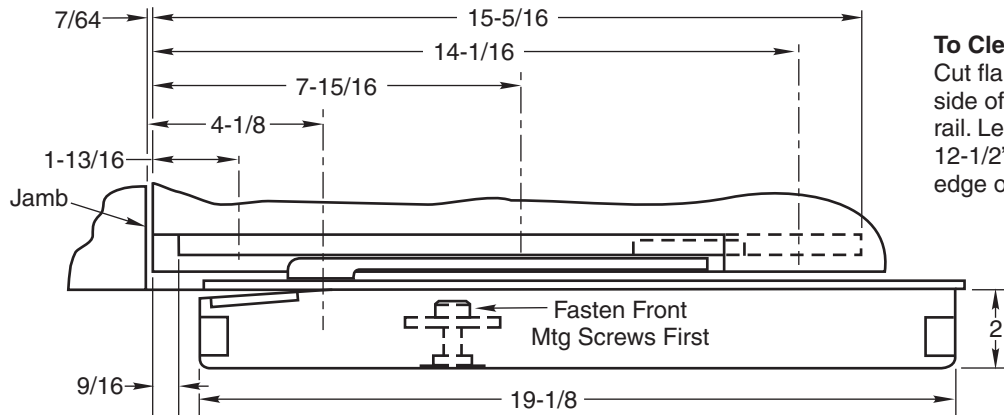


Jamb leaf of 519 pocket installed into this face of jamb. Refer to IP50500 A & B for additional information.

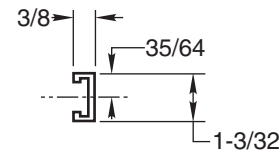
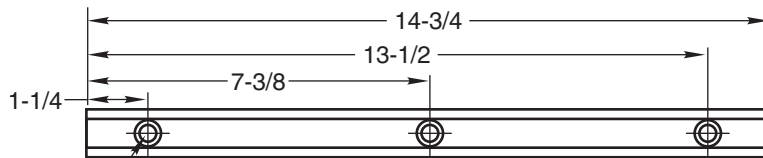
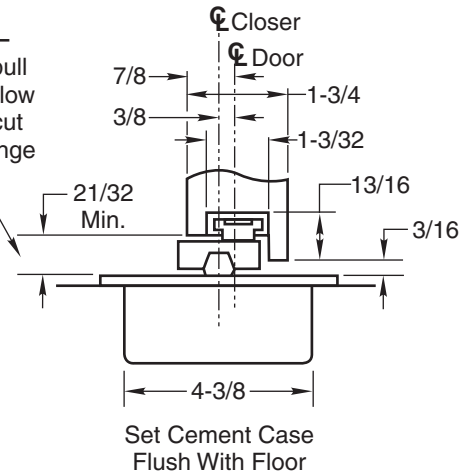


Notes:

1. Do not scale drawing.
2. Right Hand Shown.
3. All dimensions given in inches.
Conversion from inches to metric:
inch x 25.4
4. Solid door line represents door in open position with closer wound. Dashed door line represents door in closed position with closer at rest.
5. See IP50500 A & B for door mortising.
6. Consult factory for door thickness other than 1-3/4" or for extended spindle lengths.



To Clear Arm –
Cut flange off pull side of door below rail. Length of cut 12-1/2" from hinge edge of door.



12-24 x 1/2" FHMS or
#12 x 1-1/2" FHWS
(3 Places)

**5310 Floor Closer
Pocket Pivot Application**

RIXSON®

ASSA ABLOY

www.rixson.com

TEMPLATE NUMBER

OS10610

DATE

12-08