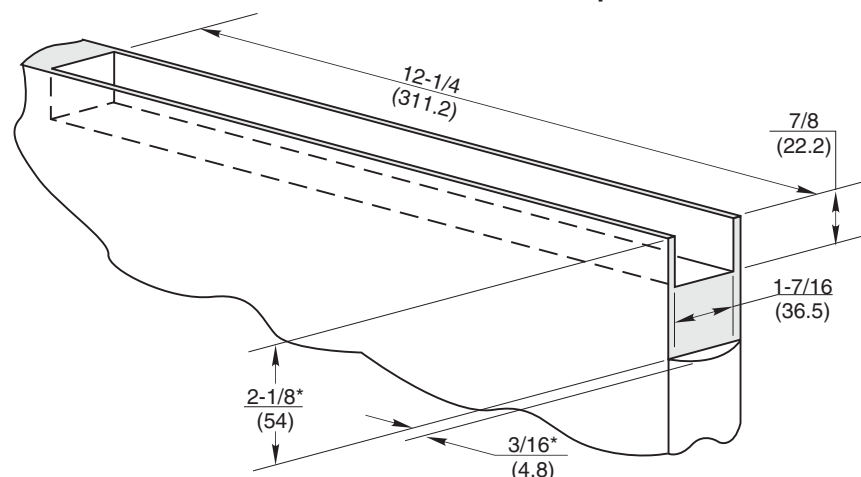


### Wood Door Installation

#### NOTES:

1. Do not scale drawing.
2. Arm plate used with arm on wood doors. Attach with #14x1-1/4" FHWS.
3. No. 199 door end caps optional extra; mortise for top and bottom of door is identical.
4. Door radius recommended is 2-5/8" (66.7).
5. All dimensions given in inches (mm).

### Cutout in Top of Door



\* Mortise only when end cap is specified. See Note 3.

## AW608 Series Overhead Concealed Door Closer Double or Single Acting for Aluminum Frame & Wood Door Center Hung, End Loading

**RIXSON**

ASSA ABLOY

www.rixson.com

TEMPLATE NUMBER

OC60490A

DATE

05-16