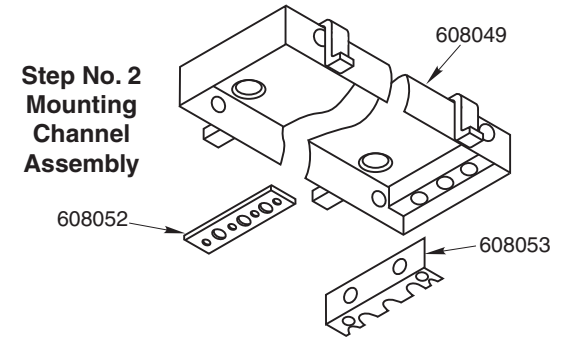


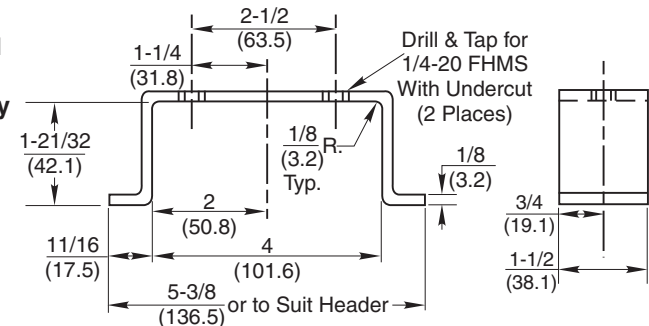
### Hollow Metal Jamb Installation

**NOTES:**

1. Do not scale drawing.
2. 2" (50.8) x 5-1/2" (139.7) minimum width head frame.
3. Single acting operation requires a door stop on the underside of frame.
4. All dimensions given in inches (mm).



**Step No. 1 Bracket (2 Req'd. by Others)**



## MW608 Series Overhead Concealed Door Closer Center Pivot

**RIXSON®**

**ASSA ABLOY**

www.rixson.com

TEMPLATE NUMBER

**OC60440B**

DATE

**05-09**