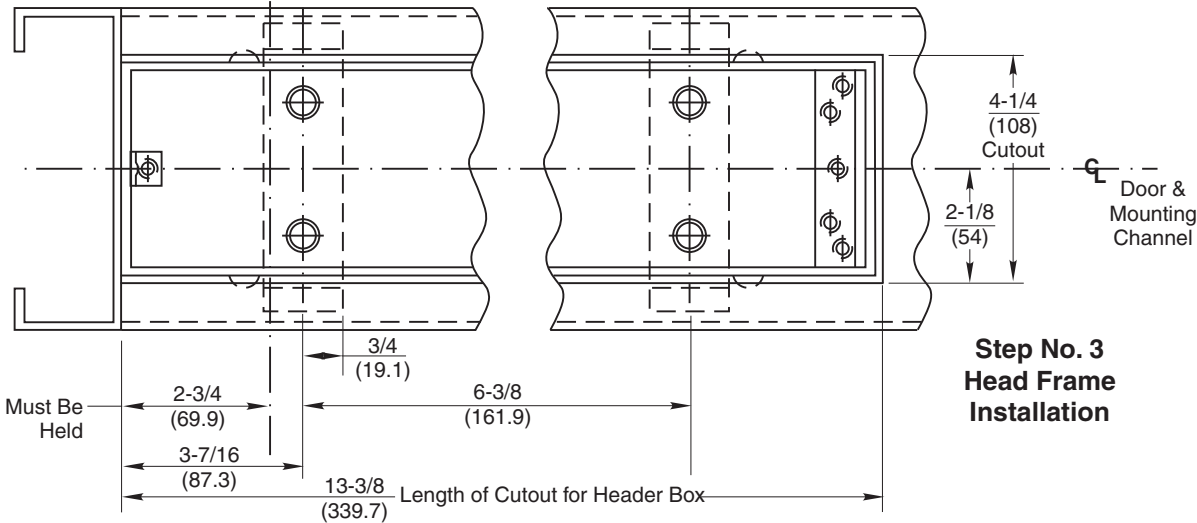
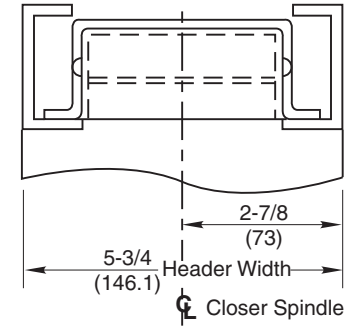
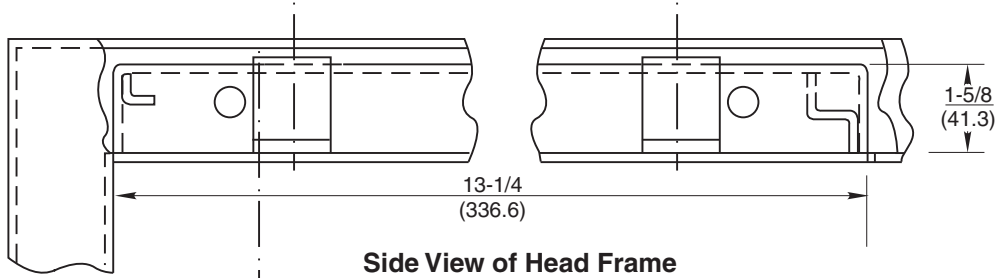
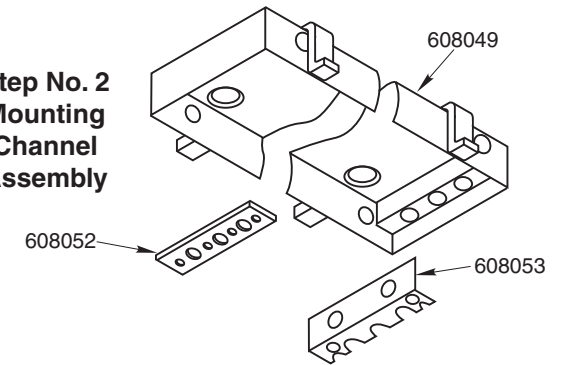


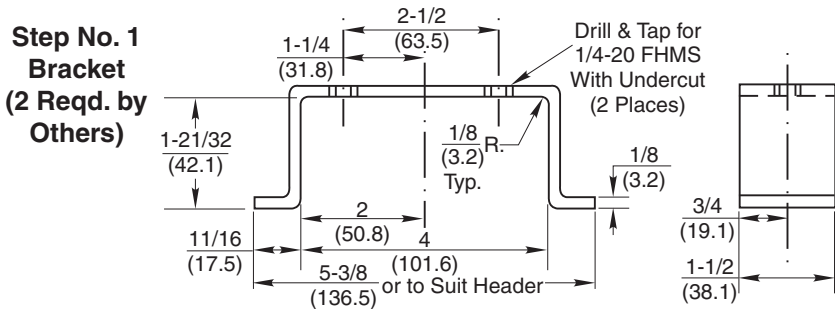
### Jamb Installation



### Step No. 2 Mounting Channel Assembly



### Under Side of Head Frame



### NOTES:

1. Do not scale drawing.
2. 2" (50.8) x 5-1/2" (139.7) minimum width head frame. (16 Ga. Max.)
3. Cover plate (not shown) 5" wide x 14" long (12.7cm x 35.6cm). Cover plate to overlap cutout in frame.
4. All dimensions given in inches (mm).

## 692 Series Mounting Channel Center Hung

**RIXSON**  
ASSA ABLOY

www.rixson.com

TEMPLATE NUMBER

**OC60410**

DATE

**05-09**