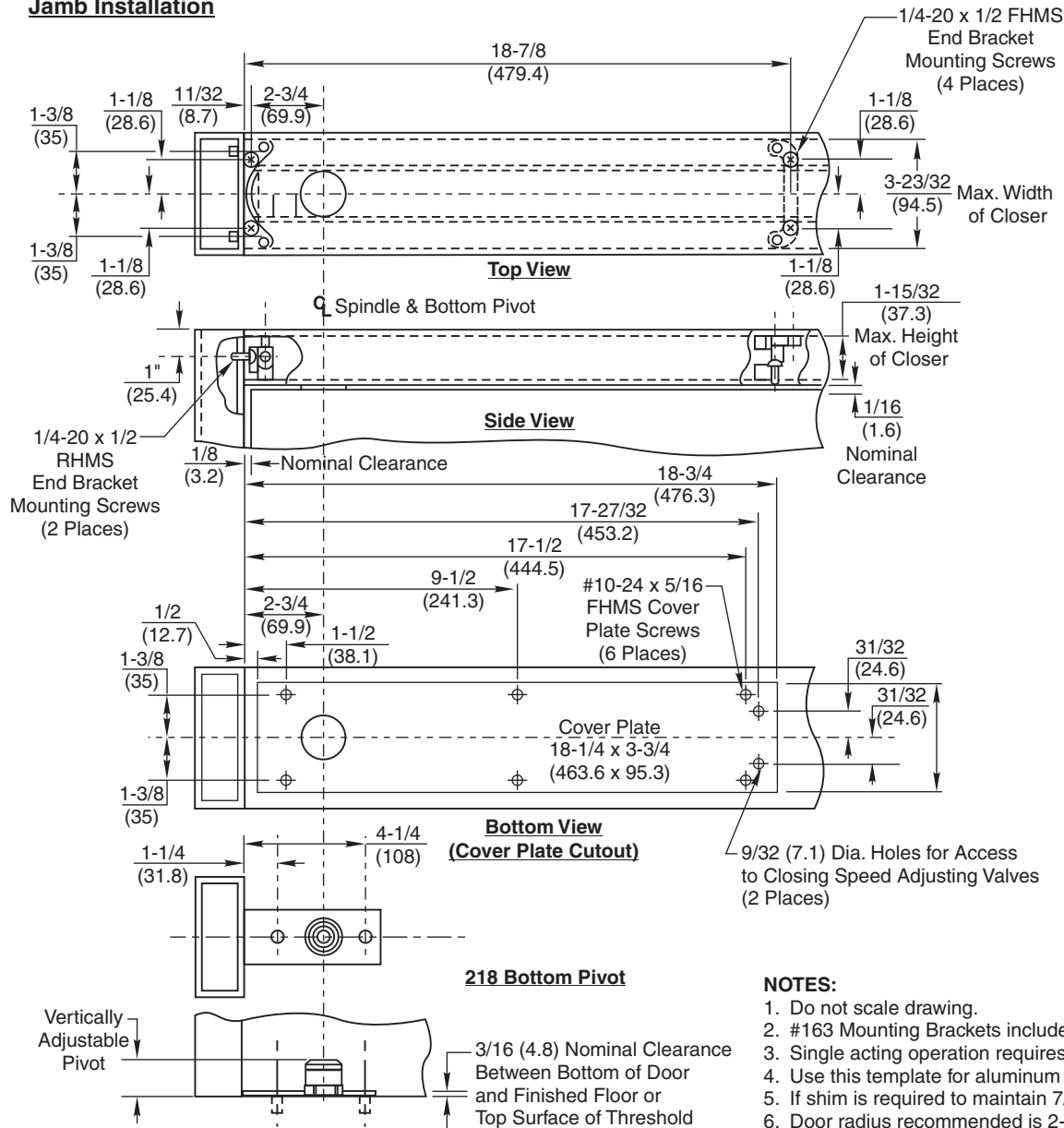
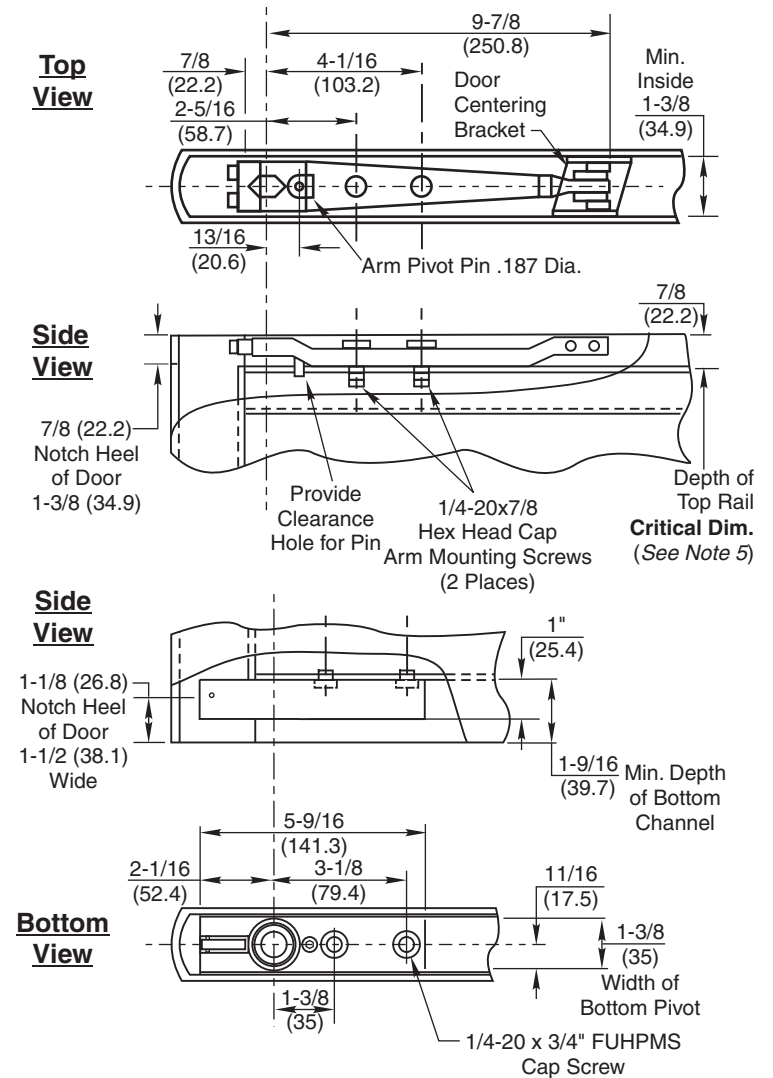


Jamb Installation



Door Installation



NOTES:

1. Do not scale drawing.
2. #163 Mounting Brackets included.
3. Single acting operation requires a door stop on the underside of frame.
4. Use this template for aluminum frames and doors having 7/8" (22.2) depth top rail.
5. If shim is required to maintain 7/8" (22.2) rail depth, shim should be full length of arm.
6. Door radius recommended is 2-5/8" (66.7).
7. All dimensions given in inches (mm).

700 Single Acting & 800 Double Acting Overhead Concealed Door Closer Center Hung for Aluminum Doors and Frames

RIXSON®

ASSA ABLOY

www.rixson.com

TEMPLATE NUMBER

OC60100

DATE

01-11