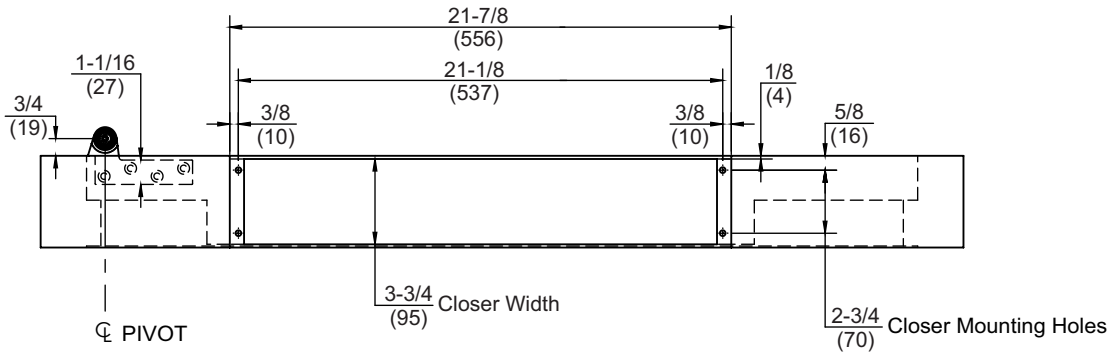
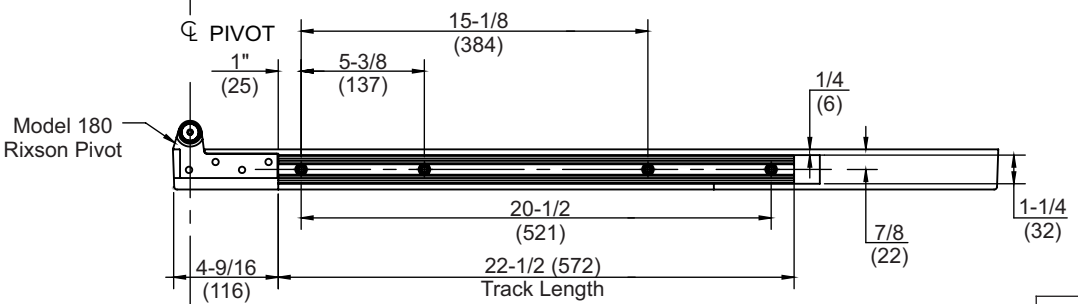
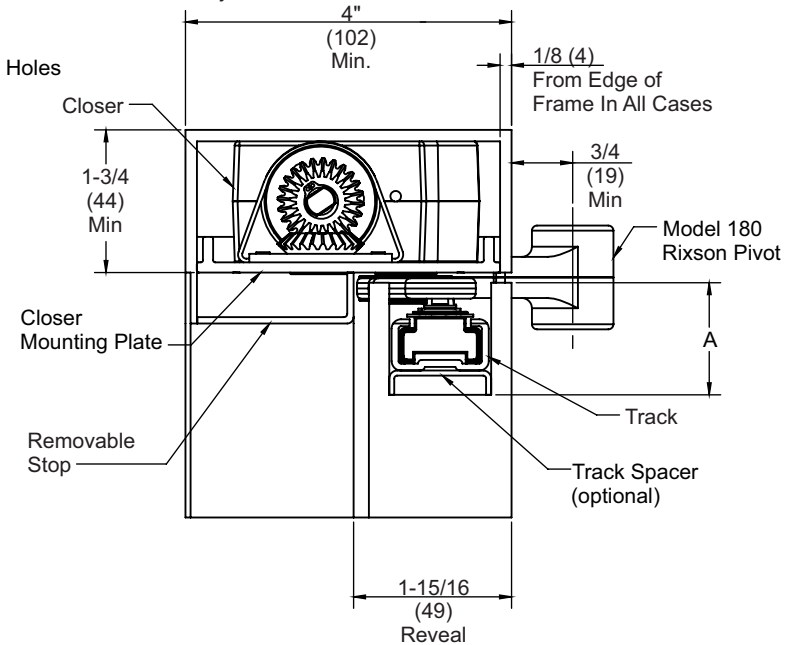
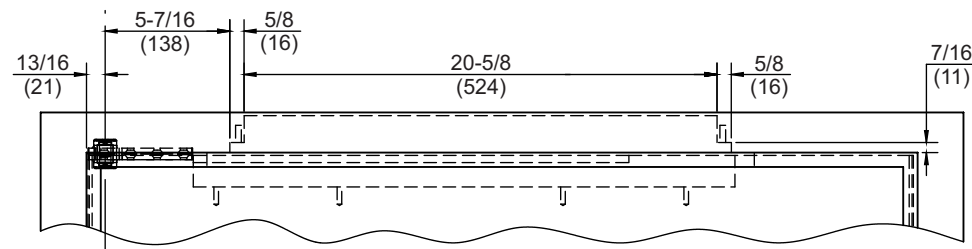


Max. Degree of Opening
 91 Non Hold Open (115°)
 91 Non Hold Open w/Stop Block (105°)
 91 Hold Open (85°)

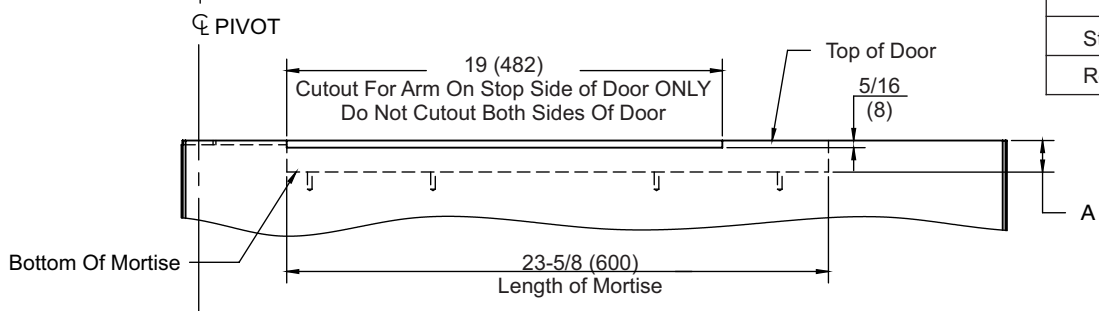


A removable headstop must be used in combination with the closer for proper installation. Mounting holes for headstop must span closer length. Headstop must be removable to install closer and make proper adjustments.



"A" Dimension	
Standard Application	1-1/16" (27)
Retrofit Track Option	1-3/8" (35)

- Notes:
1. For pivot installation instructions or details, see pivot template. For use with Rixson Pivot Model 180 Series.
 2. Min. stop thickness 1/2".
 3. 1/8" door to stop clearance required.
 4. Reinforcing per ANSI/SDI-100 recommended for hollow metal doors and frames.
 5. Auxiliary stop recommended.
 6. Do not scale drawing.
 7. Dimensions given in inches (mm).



Left Hand Door and Closer Shown
 Right Hand Opposite

Model 91 Overhead Concealed Closer
3/4" Offset Pivot, Metal Frame

RIXSON
ASSA ABLOY
 www.rixson.com

TEMPLATE NUMBER **OC60912** DATE **11-15**