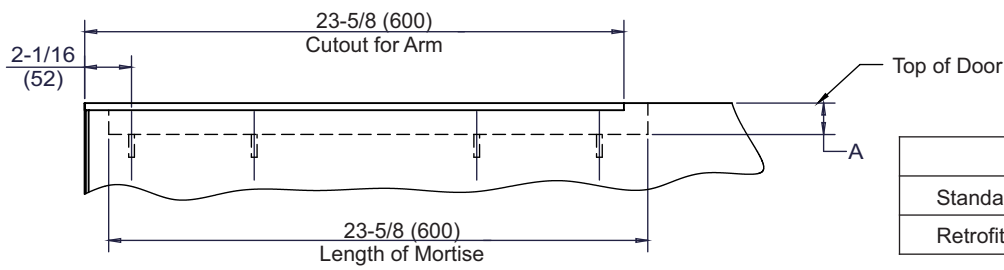


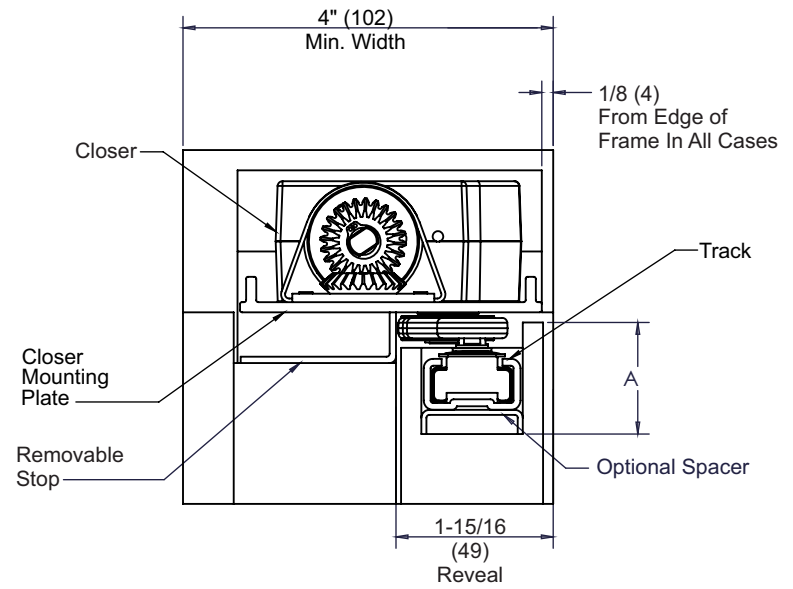
Cutout for arm includes heel of door as shown.



"A" Dimension	
Standard Application	1-1/16" (27)
Retrofit Track Option	1-3/8" (35)

Max. Degree of Opening
 91 Non Hold Open (135°) With Track Stop
 91 Non Hold Open (180°) Without Track Stop
 91H Hold Open (105°)

A removable frame stop must be used in combination with the closer for proper installation. Mounting holes for frame stop must span closer length. Stop must be removable to install closer and make proper adjustments.



- Notes:
1. For 180° opening, max. allowable butt hinge size is 5" x 5".
 2. Min. stop thickness 1/2".
 3. 1/8" door to soffit clearance required.
 4. Reinforcing per ANSI/SDI-100 recommended for hollow metal doors and frames.
 5. Auxiliary stop recommended.
 6. Do not scale drawing.
 7. Dimensions given in inches (mm).

Left Hand Door and Closer Shown
 Right Hand Opposite

Model W91 Overhead Concealed Closer Butt Hinge, Wood Frame

RIXSON
ASSA ABLOY
 www.rixson.com

TEMPLATE NUMBER **OC60924** DATE **10-16**