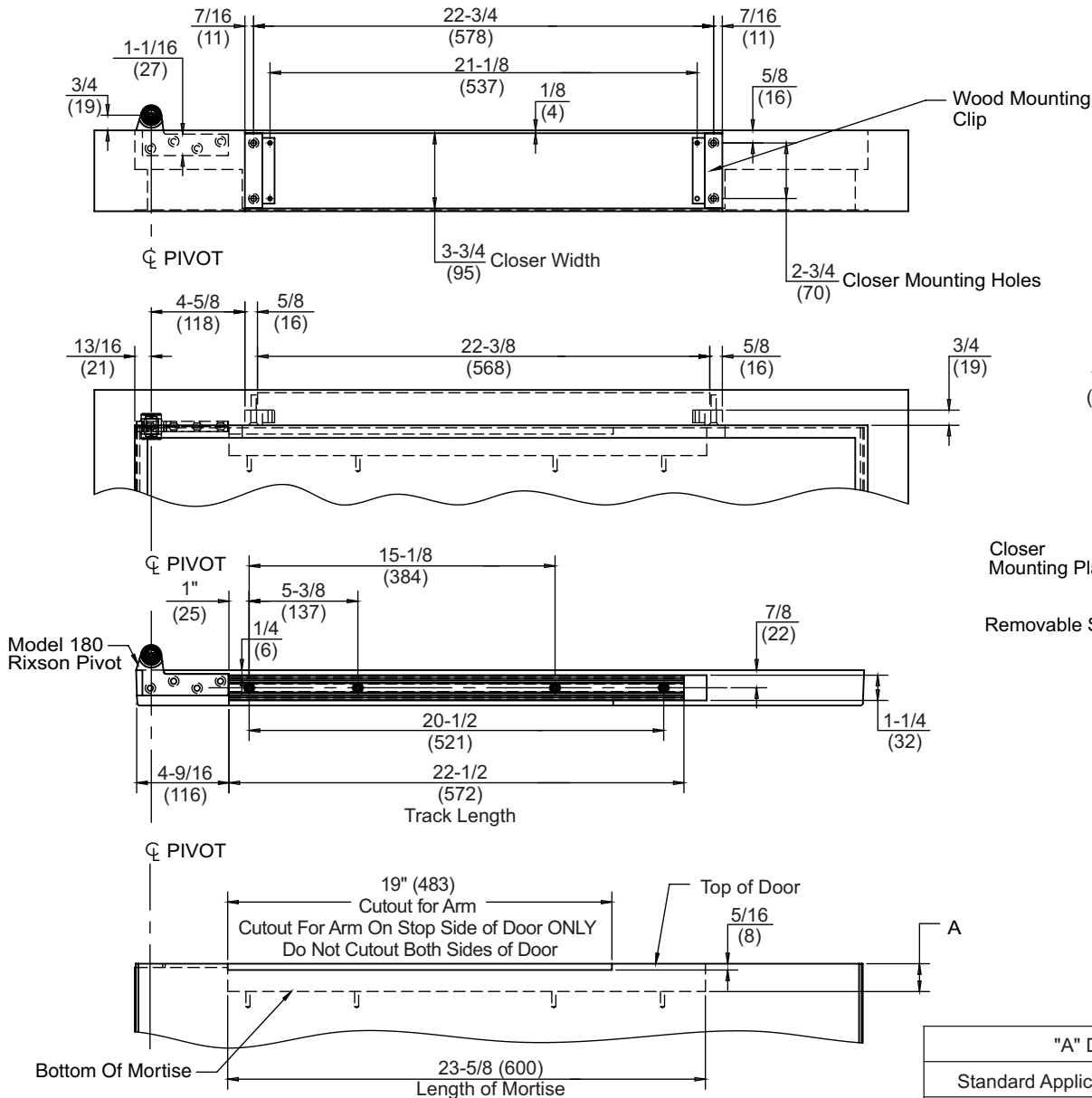
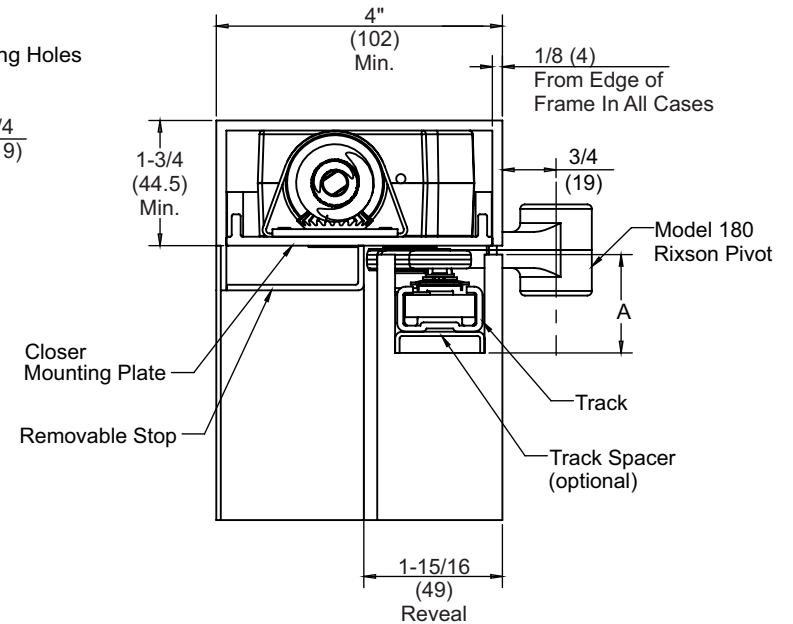


Max. Degree of Opening  
 91 Non Hold Open (115°)  
 91 Non Hold Open w/Stop Block (105°)  
 91 Hold Open (85°)



A removable headstop must be used in combination with the closer for proper installation. Mounting holes for headstop must span closer length. Head stop must be removable to install closer and make proper adjustments.



- Notes:
1. For pivot installation instructions or details, see pivot template. For use with Rixson pivot model 180 sets.
  2. Min. stop thickness 1/2".
  3. 1/8" door to soffit clearance required.
  4. Reinforcing per ANSI/SDI-100 recommended for hollow metal doors and frames.
  5. Auxiliary stop recommended.
  6. Do not scale drawing.
  7. Dimensions given in inches (mm).

"A" Dimension	
Standard Application	1-1/16" (27)
Retrofit Track Option	1-3/8" (35)

Left Hand Door and Closer Shown  
 Right Hand Opposite

## Model 91 Overhead Concealed Closer 3/4" Offset Pivot, Wood Frame

**RIXSON**  
 ASSA ABLOY  
 www.rixson.com

TEMPLATE NUMBER

**OC60936**

DATE

**11-15**