

NOTES:

- Do not scale drawing.
- Non-tri voltage magnets have two non-polarized wires to be connected. Tri voltage magnets are connected using a terminal strip on back of magnet. One wire in common and one wire in the appropriate voltage terminal (non-polarized). Ground floor portion assembly to earth ground per state and local regulations.
- Suggested location of floor portion should allow door portion to be installed on pull side of door on bottom rail approximately 6" (152mm) from lock edge of door. (See drawing of door portion.)
- Mount floor portion first. Then mount door portion, using marking template after door has

- been adjusted to correct height. (See Instructions.)
- If magnet does not hold, check the following:
 - Check if power is turned on.
 - Check power source voltage against magnet power requirements on inside of Cover and Magnet Assembly.
 - Check alignment of contact plate and magnet. They must make contact freely. If angular adjustment is necessary, repeat #4.
- Maximum 1/2" (13mm) conduit. See conduit locating instructions on sheet 2.
- All dimensions given in inches (mm).
- See sheet 2 for more details.

**980M Door Release
Floor Mounted**

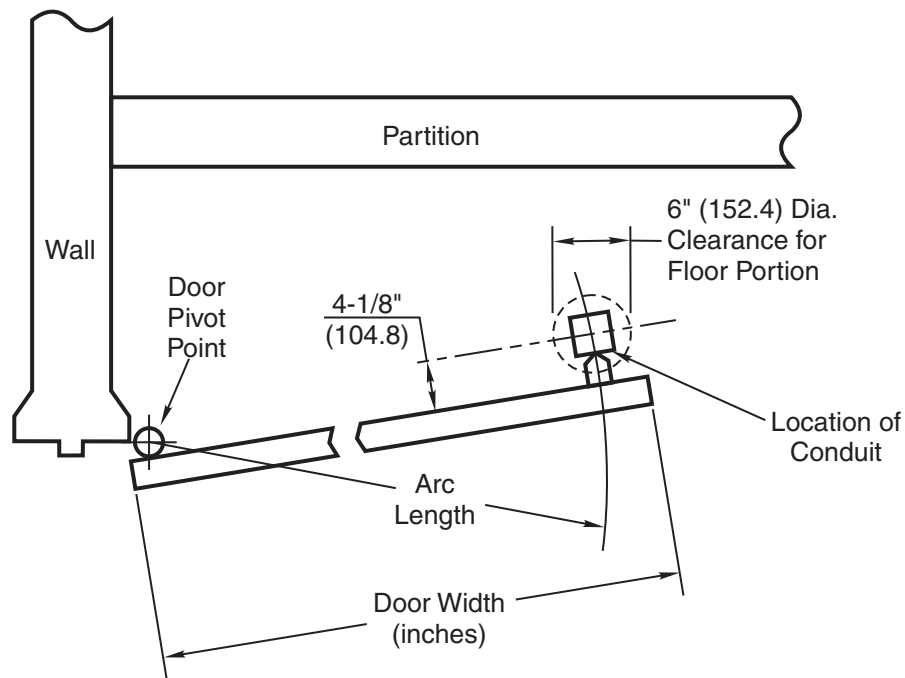
RIXSON

ASSA ABLOY

www.rixson.com

SHEET	TEMPLATE NUMBER	Rev
1 of 2	DR100150	2

980M Single Door Installation



1. Determine pivot point of door.
2. Determine door width (inches).
3. Determine maximum degree of door opening permitted by door closer, trim and partition.

To Locate Conduit:

1. Determine "arc length" (see drawing).

$$\text{Arc Length} = \text{Width of Door (inches)} \text{ minus } 5\text{-}5/8" (143\text{mm})$$

Example: To determine "arc length" of 3'0" (914mm) door

Width of Door (inches)	36" (914mm)
Minus	5-5/8" (143mm)
Arc Length =	30-3/8" (771.5mm)
2. Determine maximum degree of desired door opening (closer, trim or partition permitting). Allow a 6" (152mm) diameter clearance around conduit and any partition for 980M "Floor Portion". (See drawing.)
3. Conduit will be located on the arc and 4-1/8" (105mm) from the pull side of door when the door is at the maximum degree of door opening.

980M Door Release Locations

RIXSON

ASSA ABLOY

www.rixson.com

SHEET	TEMPLATE NUMBER	Rev
2 of 2	DR100150	2