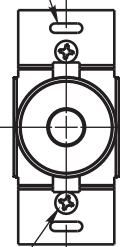


\* For Wiring See Note 3

5/32" x 3/8" (4 x 9.5) Slot for 2" x 4" (51 x 102)

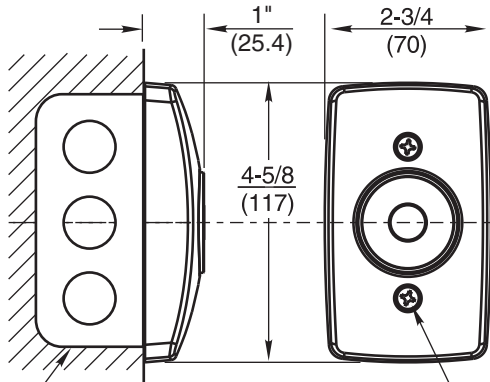
Electric Box (2 Places)



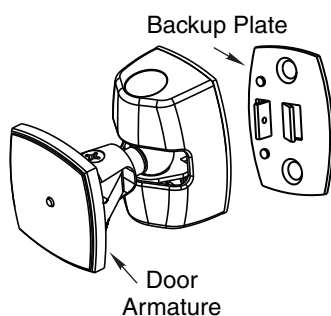
10-32 Self-tapping Screw (2 Places)

2" x 4" x 1-1/2" (51 x 102 x 38) Single Gang Electric Box (by others)

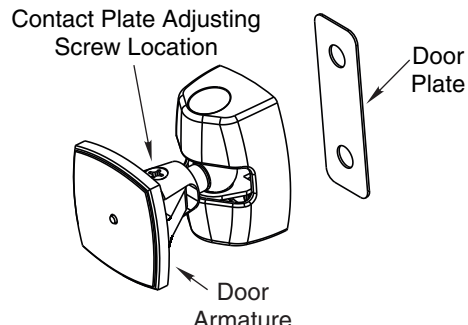
10-32 x 1-1/2 Self Tapping



10-32 x 1-1/2" Flat Head Self-Tapping Screws (2 Places)

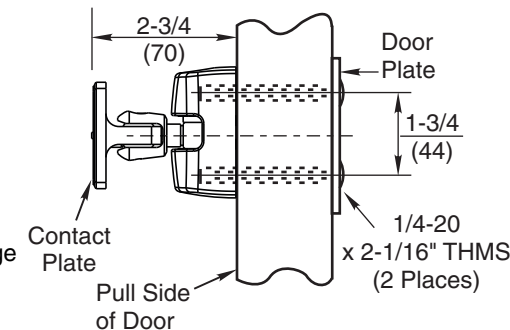
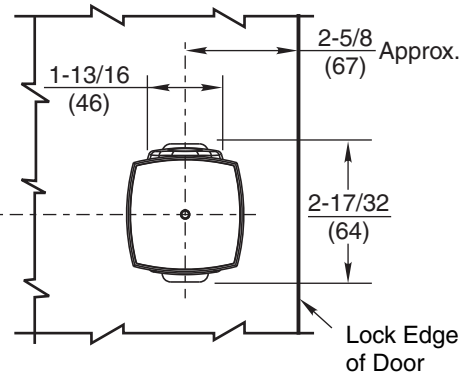
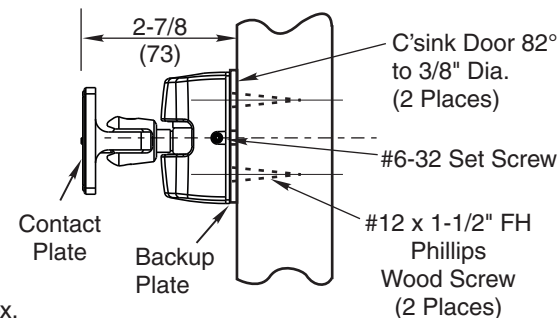


**Surface Applied Concealed Mounting**  
Recommended for Solid Wood Doors Only



**Thru Bolt Mounting**  
Recommended for Hollow Metal, Hollow Core or Composite Type Wood Doors

**CAUTION:** Nicks and scratches on the magnet surface will lessen or diminish the holding force of the magnet. Do not remove protective cap, if present, until last steps of installation.



- Notes:
1. Do not scale drawing.
  2. Total projection 3-3/4". (Includes electromagnet and armature assembly.)
  3. Non-tri voltage magnets have two non-polarized wires to be connected. Tri voltage magnets are connected using a terminal strip on back of magnet. One wire in common and one wire in the appropriate voltage terminal (non-polarized). Ground surface adapter housing to earth ground per state and local electrical regulations using conductor provided.

4. See Step 1 on sheet 2 for Electric Box location. Anchor Electric Box to withstand a minimum 50 lb. Pull. Electric Box shown installed in a vertical position.
5. Door closing mechanism should have a 3 lb. Closing force at the degree of door opening where door armature and electromagnet engage.
6. Mounting of Electric Box should be reinforced to withstand shock of door opening. Failure to do so will cause box anchors to work loose.
7. All dimensions given in inches (mm).
8. See sheet 2 for more details.

## 994M Door Release

**RIXSON**  
ASSA ABLOY

www.rixson.com

SHEET	TEMPLATE NUMBER	Rev
<b>1 of 2</b>	<b>DR100350</b>	<b>1</b>

1. Use table to locate Electric Box.

2. Determine door width (Dim "B"). Measure pivot centerline to wall (Dim. "A"). Find dimension "C" in table.

Example: Pivot centerline to wall ("A") = 10" (254mm)  
 Door Width ("B") = 36" (914mm)  
 Electric Box Centerline ("C") = 33" (838mm)

3. If "A" or "B" falls between the numbers listed in table, allow for difference.

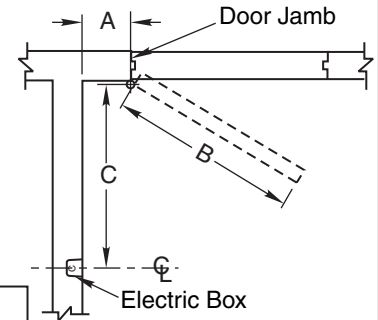
Example: Pivot centerline to wall ("A") = 17" (432mm)  
 Door Width ("B") = 36" (914mm)  
 Electric Box Centerline ("C") = 30-1/4" (768mm)

4. If dimensions "A" and "B" intersect in shaded area of table DO NOT INSTALL ELECTRIC BOX. The degree of door opening will not permit proper alignment between armature and wall magnet.

5. Height to be determined by others. Suggested height is 2' to 4' (610mm to 1219mm) from floor and/or not over 6' (1829mm).

6. Check degree of door opening in table and coordinate with door closers and other door hardware.

**Location of Electric Box**



"A" – Pivot Centerline to Wall  
 "B" – Door Width  
 "C" – Pivot Centerline to Electric Box Centerline

Dim. "A"	Door Width "B"																																																		
	28" (711)	30" (762)	32" (813)	34" (864)	36" (914)	38" (965)	40" (1016)	42" (1067)	44" (1118)	46" (1168)	48" (1219)	28" (711)	30" (762)	32" (813)	34" (864)	36" (914)	38" (965)	40" (1016)	42" (1067)	44" (1118)	46" (1168)	48" (1219)																													
"C"	Deg.	"C"	Deg.	"C"	Deg.	"C"	Deg.	"C"	Deg.	"C"	Deg.	"C"	Deg.	"C"	Deg.	"C"	Deg.	"C"	Deg.	"C"	Deg.	"C"	Deg.																												
2" (51)	26" (660)	90°	28" (711)	90°	29-7/8 (759)	90°	32" (813)	90°	34" (864)	90°	36" (914)	91°	38" (965)	91°	40" (1016)	92°	42" (1067)	92°	43-7/8 (1114)	92°	45-5/8 (1159)	92°	2" (51)	26" (660)	90°	28" (711)	90°	29-7/8 (759)	90°	32" (813)	90°	34" (864)	90°	36" (914)	91°	38" (965)	91°	40" (1016)	92°	42" (1067)	92°	43-7/8 (1114)	92°	45-5/8 (1159)	92°						
4" (102)	26" (660)	93°	28" (711)	94°	29-7/8 (759)	94°	32" (813)	94°	34" (864)	94°	36" (914)	94°	38" (965)	94°	40" (1016)	94°	42" (1067)	94°	43-7/8 (1114)	94°	45-5/8 (1159)	94°	4" (102)	26" (660)	93°	28" (711)	94°	29-7/8 (759)	94°	32" (813)	94°	34" (864)	94°	36" (914)	94°	38" (965)	94°	40" (1016)	94°	42" (1067)	94°	43-7/8 (1114)	94°	45-5/8 (1159)	94°						
6" (152)	25-5/8 (651)	97°	27-5/8 (702)	97°	29-5/8 (752)	97°	31-3/4 (806)	97°	33-3/4 (857)	97°	35-3/4 (908)	97°	37-3/4 (959)	97°	39-3/4 (1010)	97°	41-3/4 (1060)	97°	43-5/8 (1108)	96°	45-3/8 (1153)	96°	6" (152)	25-5/8 (651)	97°	27-5/8 (702)	97°	29-5/8 (752)	97°	31-3/4 (806)	97°	33-3/4 (857)	97°	35-3/4 (908)	97°	37-3/4 (959)	97°	39-3/4 (1010)	97°	41-3/4 (1060)	97°	43-5/8 (1108)	96°	45-3/8 (1153)	96°						
8" (203)	25-1/4 (641)	103°	27-1/4 (692)	103°	29-1/4 (743)	103°	31-3/8 (797)	101°	33-1/2 (851)	100°	35-1/2 (902)	100°	37-3/8 (949)	100°	39-1/2 (1003)	99°	41-1/2 (1054)	99°	43-3/8 (1102)	98°	45-1/4 (1149)	98°	8" (203)	25-1/4 (641)	103°	27-1/4 (692)	103°	29-1/4 (743)	103°	31-3/8 (797)	101°	33-1/2 (851)	100°	35-1/2 (902)	100°	37-3/8 (949)	100°	39-1/2 (1003)	99°	41-1/2 (1054)	99°	43-3/8 (1102)	98°	45-1/4 (1149)	98°						
10" (254)	24-5/8 (625)	107°	26-3/4 (679)	106°	28-3/4 (730)	106°	30-7/8 (784)	105°	33" (838)	104°	35" (889)	103°	37" (940)	103°	39-1/8 (994)	103°	41-1/8 (1045)	103°	43" (1092)	102°	44-7/8 (1140)	102°	10" (254)	24-5/8 (625)	107°	26-3/4 (679)	106°	28-3/4 (730)	106°	30-7/8 (784)	105°	33" (838)	104°	35" (889)	103°	37" (940)	103°	39-1/8 (994)	103°	41-1/8 (1045)	103°	43" (1092)	102°	44-7/8 (1140)	102°						
12" (305)	23-3/4 (603)	113°	25-7/8 (657)	111°	28" (711)	110°	30-1/8 (765)	108°	32-1/4 (819)	107°	34-3/8 (873)	107°	36-3/8 (924)	107°	38-1/2 (978)	106°	40-5/8 (1032)	106°	42-1/2 (1080)	104°	44-3/8 (1127)	104°	12" (305)	23-3/4 (603)	113°	25-7/8 (657)	111°	28" (711)	110°	30-1/8 (765)	108°	32-1/4 (819)	107°	34-3/8 (873)	107°	36-3/8 (924)	107°	38-1/2 (978)	106°	40-5/8 (1032)	106°	42-1/2 (1080)	104°	44-3/8 (1127)	104°						
14" (356)	22-3/4 (578)	117°	25" (635)	115°	27-1/4 (692)	114°	29-3/8 (746)	113°	31-1/2 (800)	112°	33-3/4 (857)	110°	35-7/8 (911)	109°	38" (965)	108°	40" (1016)	107°	42" (1067)	106°	43-7/8 (1114)	106°	14" (356)	22-3/4 (578)	117°	25" (635)	115°	27-1/4 (692)	114°	29-3/8 (746)	113°	31-1/2 (800)	112°	33-3/4 (857)	110°	35-7/8 (911)	109°	38" (965)	108°	40" (1016)	107°	42" (1067)	106°	43-7/8 (1114)	106°						
16" (406)	21-3/4 (552)	123°	24" (610)	120°	26-1/4 (667)	117°	28-1/2 (724)	116°	30-3/4 (781)	115°	33" (838)	114°	35-1/8 (892)	113°	37-1/4 (946)	112°	39-3/8 (1000)	112°	41-3/8 (1051)	110°	43-3/8 (1102)	108°	16" (406)	21-3/4 (552)	123°	24" (610)	120°	26-1/4 (667)	117°	28-1/2 (724)	116°	30-3/4 (781)	115°	33" (838)	114°	35-1/8 (892)	113°	37-1/4 (946)	112°	39-3/8 (1000)	112°	41-3/8 (1051)	110°	43-3/8 (1102)	108°						
18" (457)	20" (508)	127°	22-1/2 (572)	125°	25" (635)	123°	27-3/8 (695)	120°	29-3/4 (756)	117°	32" (813)	116°	34-1/4 (870)	116°	36-1/2 (927)	115°	38-5/8 (981)	114°	40-5/8 (1032)	113°	42-1/2 (1080)	112°	18" (457)	20" (508)	127°	22-1/2 (572)	125°	25" (635)	123°	27-3/8 (695)	120°	29-3/4 (756)	117°	32" (813)	116°	34-1/4 (870)	116°	36-1/2 (927)	115°	38-5/8 (981)	114°	40-5/8 (1032)	113°	42-1/2 (1080)	112°						
20" (508)	18-1/4 (464)	134°	21" (533)	130°	23-1/2 (597)	127°	26" (660)	125°	28-1/2 (724)	123°	30-7/8 (784)	121°	33-1/8 (841)	119°	35-3/8 (899)	118°	37-5/8 (956)	117°	39-5/8 (1006)	115°	41-5/8 (1057)	114°	20" (508)	18-1/4 (464)	134°	21" (533)	130°	23-1/2 (597)	127°	26" (660)	125°	28-1/2 (724)	123°	30-7/8 (784)	121°	33-1/8 (841)	119°	35-3/8 (899)	118°	37-5/8 (956)	117°	39-5/8 (1006)	115°	41-5/8 (1057)	114°						
22" (559)			18-3/4 (476)	132°	21-5/8 (549)	133°	24-3/8 (619)	130°	27" (686)	127°	29-3/8 (746)	125°	31-3/4 (806)	123°	34-1/8 (867)	121°	36-1/2 (927)	120°	38-5/8 (981)	118°	40-3/4 (1035)	116°	22" (559)			18-3/4 (476)	132°	21-5/8 (549)	133°	24-3/8 (619)	130°	27" (686)	127°	29-3/8 (746)	125°	31-3/4 (806)	123°	34-1/8 (867)	121°	36-1/2 (927)	120°	38-5/8 (981)	118°	40-3/4 (1035)	116°						
24" (610)							22-1/2 (572)	132°	25-1/2 (648)	133°	28-1/8 (714)	130°	30-5/8 (778)	127°	33-1/8 (841)	125°	35-5/8 (905)	123°	37-7/8 (962)	121°	40" (1016)	119°	24" (610)							22-1/2 (572)	132°	25-1/2 (648)	133°	28-1/8 (714)	130°	30-5/8 (778)	127°	33-1/8 (841)	125°	35-5/8 (905)	123°	37-7/8 (962)	121°	40" (1016)	119°						
26" (660)											26-1/4 (667)	132°	29" (737)	130°	31-5/8 (803)	128°	34-1/4 (870)	127°	36-1/2 (927)	125°	38-5/8 (981)	123°	26" (660)							26-1/4 (667)	132°	29" (737)	130°	31-5/8 (803)	128°	34-1/4 (870)	127°	36-1/2 (927)	125°	38-5/8 (981)	123°										
28" (711)															29-3/4 (756)	130°	32-1/2 (826)	129°	34-7/8 (886)	127°	37-1/8 (943)	126°	28" (711)														29-3/4 (756)	130°	32-1/2 (826)	129°	34-7/8 (886)	127°	37-1/8 (943)	126°							
30" (762)															27-3/4 (705)	132°	30-5/8 (778)	134°	33" (838)	130°	35-3/8 (899)	128°	30" (762)														27-3/4 (705)	132°	30-5/8 (778)	134°	33" (838)	130°	35-3/8 (899)	128°							
32" (813)																				31-3/8 (797)	132°	33-7/8 (860)	132°	32" (813)																											

Dimensions given in inches (mm).

**994M Door Release Location Sheet**

**RIXSON**

**ASSA ABLOY**

www.rixson.com

SHEET	TEMPLATE NUMBER	Rev
<b>2 of 2</b>	<b>DR100350</b>	<b>1</b>