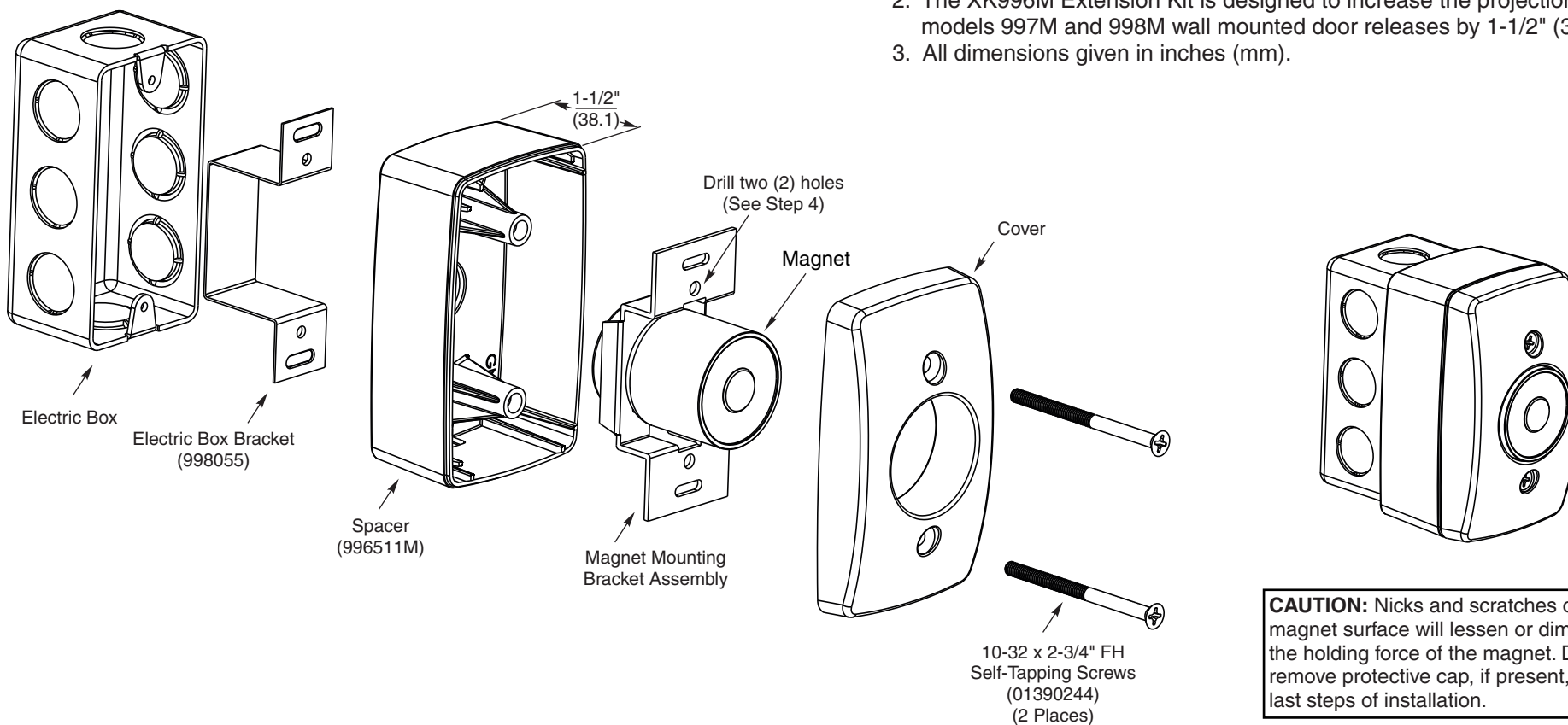


NOTES:

1. Do not scale drawing.
2. The XK996M Extension Kit is designed to increase the projection of models 997M and 998M wall mounted door releases by 1-1/2" (38mm)
3. All dimensions given in inches (mm).



CAUTION: Nicks and scratches on the magnet surface will lessen or diminish the holding force of the magnet. Do not remove protective cap, if present, until last steps of installation.

Installation:

1. Shut off power.
2. Remove cover and magnet assembly and discard the two screws.
3. Disconnect magnet wire leads from power source wire leads.
4. Use 13/64" (5mm) drill bit, enlarge the two (2) existing holes in magnet mounting bracket as show when updating existing 997M or 998M models.
5. Assemble electric box bracket to gang box. Secure in place.
6. Assemble spacer 996511M to electric box bracket. Spacer will be secured in step 8.
7. Reconnect magnet wires to power source. Ground surface adapter housing to earth ground per state and local electrical regulations using conductor provided.
8. Secure spacer, magnet and cover in place with two (2) #10-32 x 2-3/4" FHMS
9. Turn power on after all work is complete.

XK996M Extension Kit

RIXSON

ASSA ABLOY

www.rixson.com

| | | |
|---------------|-----------------|----------|
| SHEET | TEMPLATE NUMBER | Rev |
| 1 of 1 | DR100295 | 1 |