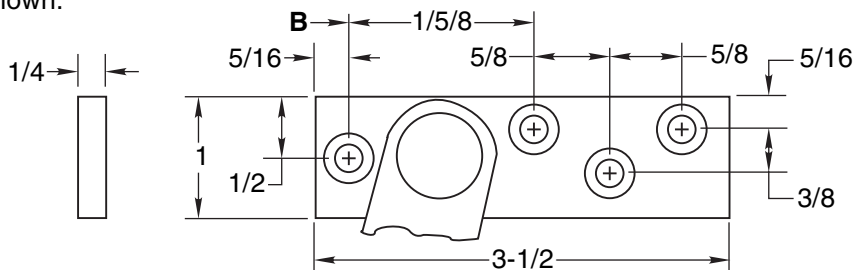


INSTALLATION INSTRUCTIONS

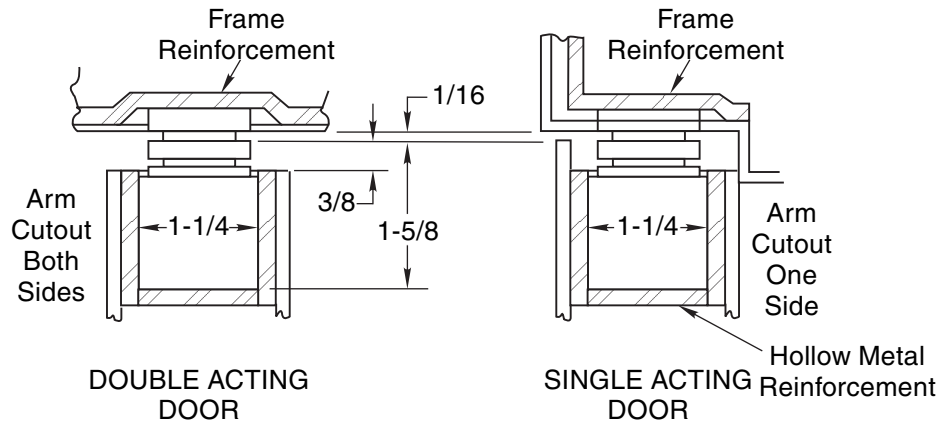
1. Determine degree of dead stop required. Then select proper dimensions from chart on opposite side of page.

NOTE: A, B and C dimensions are measured from hinge center, not edge of door.

2. Locate "B" dimension on frame and mortise 1/4" deep for jamb bracket as shown.



3. Locate "A" and "F" dimensions on centerline of door and mortise 1-5/8" deep for channel. 1/16" head clearance shown. Coordinate the arm and rail cutout dimensions if head clearance varies.



4. Locate "C" and "E" dimensions on top of door and mortise 3/8" deep as shown for arm cutout.

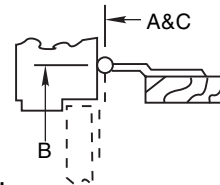
5. Install door stop or holder with screws provided.

NOTES:

- All hollow metal frames are to be provided with 3/16" min. thickness x 12" min. length reinforcement plates.
- All hollow metal doors are to have minimum 3/16" reinforcement plates.
- A, B and C dimensions are measured from centerline of pivot, not edge of door.
- Left hand shown, right hand opposite.
- All dimensions are given in inches. Metric = decimal (numerator divided by denominator) x 25.4.

CAUTION:

Note location of swing clear hinge centerline to determine "A", "B" and "C" dimensions.



Screw Details	
Jamb	Door
1/4-20 x 3/4" FHMS or #14 x 1-1/2" FHWS	5/16-18 x 1-1/2" FHMS or #18 x 3" FHWS

No. 1 Series Concealed Door Stops Less Spring

RIXSON
ASSA ABLOY

www.rixson.com

TEMPLATE NUMBER

DATE

OH80002A

07-16

No. 1 Series Concealed Door Stops Less Spring

* Butt mounting only.
Reversible, non-handed

1. See other side for installation instructions.
2. Select proper dimensions noted below.
3. All dimensions given in inches.

When Using Center Hung Pivots, Check Pivot Manufacturer's Compatibility Prior to Specifying

Metric = decimal (numerator divided by denominator)
x 25.4.

Device Number	Degree	85°				90°				95°				100°				105°				110°				F	
		A	B	C	E	A	B	C	E	A	B	C	E	A	B	C	E	A	B	C	E	A	B	C	E		
1-3/4 - 2-1/4 Butts & 3/4 Offset Pivot	24 - 28	5-13/16	5-1/2	6-1/8	11-7/8	5-1/2	5-3/16	5-7/8	13-1/4	5-3/16	4-7/8	4-3/8	14-7/16	4-7/8	4-9/16	2-7/8	15-5/8	4-5/8	4-5/16	1-3/8	16-7/8	1-7/16	4-1/8	1-3/8	16-5/8	17-3/16	
	1-236	28-1/16 - 33	7-9/16	6-9/16	7-3/8	15-3/4	7-3/16	6-3/16	6-7/8	15-7/8	6-13/16	5-13/16	5-7/8	16-1/2	6-1/2	5-1/2	4-7/8	17-3/16	6-1/4	5-1/4	3-5/8	18-3/16	6	5	2-3/8	19-1/8	18-7/16
	1-336	33-1/16 - 38	11-1/8	7-7/8	9-1/8	19-1/16	10-11/16	7-7/16	8-5/8	19-1/8	10-1/4	7	8-1/8	19-1/8	9-13/16	6-9/16	7-5/8	19-1/4	9-1/2	6-1/4	6-7/8	19-5/8	9-1/4	6	5-5/8	20-5/8	19-15/16
	1-436	38-1/16 - 43	14-1/16	9-11/16	10-7/8	22-3/8	13-9/16	9-3/16	10-3/8	22-3/8	13-1/16	8-11/16	9-7/8	22-3/8	12-9/16	8-3/16	9-3/8	22-3/8	12-1/8	7-3/4	8-7/8	22-3/8	11-13/16	7-7/16	8-5/8	22-3/8	22-1/16
	1-536	43-1/16 - 48	17-11/16	11-1/16	12-1/8	26-1/4	17-1/16	11-1/16	11-5/8	26-1/4	16-7/16	9-13/16	10-7/8	26-1/4	15-15/16	9-5/16	10-3/8	26-1/4	15-1/2	8-7/8	10-1/4	26-1/4	15-1/8	8-1/2	9-5/8	26-1/4	23-9/16

NOTE: A, B, and C dimensions measured from centerline of pivot, not edge of door.

Device Number	Degree	85°				90°				95°				100°				105°				110°				F	
		A	B	C	E	A	B	C	E	A	B	C	E	A	B	C	E	A	B	C	E	A	B	C	E		
1-3/4 - 2-1/4 Center Hung	-	-	-	-	-	-	-	-	-	-	-	-	-	-	-	-	-	-	-	-	-	-	-	-	-	-	-
	1-236	30 - 36	8	7	8-1/8	15-3/8	7-5/8	6-5/8	7-3/4	15-3/8	7-1/4	6-1/4	7-3/4	15-3/8	6-11/16	5-15/16	7-1/8	15-3/8	6-11/16	5-11/16	6-7/8	15-3/8	-	-	-	19-1/8	18-7/16
	1-336	36-1/16 - 41	11-3/4	8-1/2	9-5/8	19-1/8	11-1/4	8	9-1/8	19-1/8	10-13/16	7-9/16	8-3/4	19-1/8	10-1/16	7-3/16	8-3/8	19-1/8	10-1/16	6-13/16	7-7/8	19-1/8	9-3/4	6-1/2	7-5/8	19-1/8	19-15/16
	1-436	41-1/16 - 46	14-5/8	10-1/4	11-3/8	22-3/8	14	9-5/8	10-3/4	22-3/8	13-1/2	9-1/8	10-3/8	22-3/8	12-5/8	8-5/8	9-7/8	22-3/8	12-5/8	8-1/4	9-3/8	22-3/8	12-1/4	7-7/8	9-1/8	22-3/8	22-1/16
	1-536	46-1/16 - 50	18-3/8	11-3/4	12-7/8	26-1/8	17-5/8	11	12-1/8	26-1/8	16-15/16	10-5/16	11-3/8	26-1/8	16	9-13/16	10-7/8	26-1/8	16	9-3/8	10-3/8	26-1/8	15-9/16	8-15/16	10-1/8	26-1/8	23-9/16

No. 1 Series Concealed Door Stops Less Spring

RIXSON
ASSA ABLOY
www.rixson.com

TEMPLATE NUMBER	DATE
OH80002B	07-16