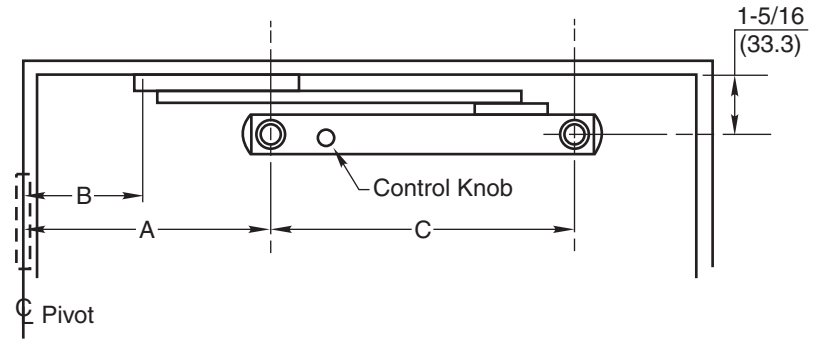
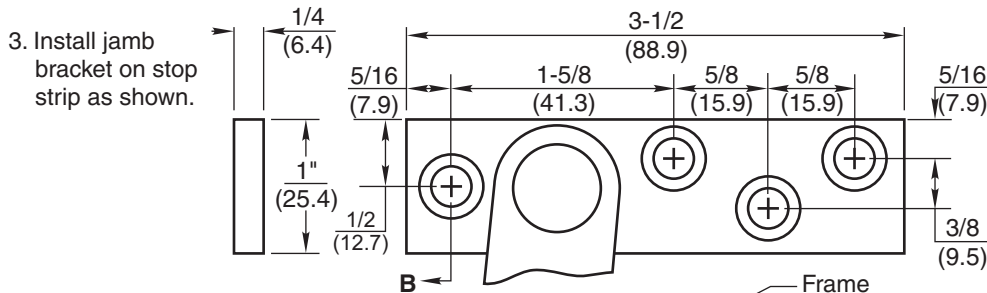


5. Install channel on door with "A" dimension sex bolt. Locate "C" dimension sex bolt hole making sure that channel is horizontal and parallel with stop strip. Drill 1/2 (12.7) dia. sex bolt hole and finish installing holder. Install control knob on channel as shown.

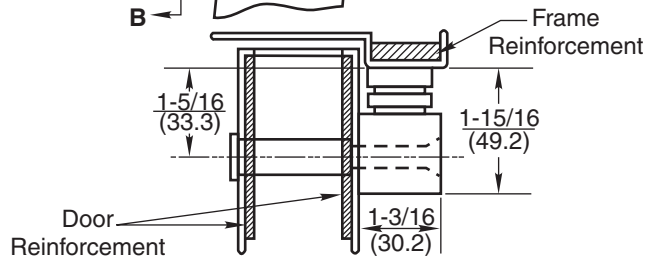


### INSTALLATION INSTRUCTIONS

1. Select and determine degree of hold open or dead stop from chart on OH80060B.
2. Locate "A" and "B" dimensions on door and frame.



4. Position channel on door with shock end located towards pivot. Drill 1/2 (12.7) dia. sex bolt hole, "A" dimension, 1-5/16 (33.3) down from stop strip as shown.

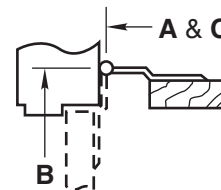


### Notes:

- All hollow metal frames should be properly reinforced with 3/16" (4.8) min. thickness x 12" (304.8) min. length reinforcement plates.
- All hollow metal doors should be properly reinforced with 2-1/2" (63.5) wide x 3/16" (4.8) min. thick x full width of door reinforcement plates.
- All drilling and tapping to be done by field men.
- Suggest mounting door stop or holder first and then other hardware to clear. Contact factory if interference results with other hardware.
- Left hand shown – right hand opposite. (Note hole pattern in jamb bracket).
- All dimensions are given in inches (mm).

### Caution:

Note location of swing clear hinge centerline to determine "A" and "B" dimensions.



Screw Details	
Jamb	Door
#1/4-20 x 3/4" FHMS or #14 x 1-1/2" FHWS (4 Places)	5/16-18 x 2" FHMS and 1/2" Dia. Sex Bolt (2 Places)

## No. 9 Series Surface Mounted Door Stops and Holders

**RIXSON®**

**ASSA ABLOY**

www.rixson.com

TEMPLATE NUMBER

**OH80060A**

DATE

**05-09**

**No. 9 Series Surface Mounted Door Stops and Holders**

1. See other side for installation instructions.
2. Select proper dimensions noted below.
3. All drilling and tapping to be done in field.
4. All dimensions given in inches.

Reversible, non-handed.

H.O. = Hold Open  
D.S. = Dead Stop

	Device Number			Degree	85°				90°				95°				100°				105°				110°				C
					H.O.		D.S.		H.O.		D.S.		H.O.		D.S.		H.O.		D.S.		H.O.		D.S.		H.O.		D.S.		
	Fric-tion	H.O.	Stop	Door Opening	A	B	A	B	A	B	A	B	A	B	A	B	A	B	A	B	A	B	A	B	A	B	A	B	
1 3/4 - 2 1/4 Butts & 3/4 Offset Pivot	9-116	9-126	9-136	24 - 28	4 1/4	4 3/4	4 7/8	4 3/4	3 7/8	4 3/8	4 1/2	4 3/8	3 9/16	4 1/16	4 3/16	4 1/16	3 5/16	3 13/16	3 15/16	3 13/16	--	--	--	--	--	--	--	--	15 15/16
	9-216	9-226	9-236	28 1/16 - 33	6 1/8	5 7/8	6 3/4	5 7/8	5 11/16	5 7/16	6 5/16	5 7/16	5 3/8	5 1/8	6	5 3/8	5 1/16	4 13/16	5 1/16	4 13/16	4 3/4	4 1/2	5 3/8	4 1/2	4 9/16	4 5/16	5 3/16	4 5/16	17 1/16
	9-316	9-326	9-336	33 1/16 - 38	9 3/4	7 1/4	10 3/8	7 1/4	9 1/4	6 3/4	9 7/8	6 3/4	8 13/16	6 5/16	9 7/16	6 5/16	7 7/16	5 15/16	9 1/16	5 15/16	8 1/8	5 5/8	8 3/4	5 5/8	7 7/8	5 3/8	8 1/2	5 3/8	18 11/16
	9-416	9-426	9-436	38 1/16 - 43	12 11/16	9 1/8	13 5/16	9 1/8	12 1/8	8 1/2	12 3/4	8 1/2	11 5/8	8	12 1/4	8	11 3/16	7 9/16	11 13/16	7 9/16	10 13/16	7 3/16	11 7/16	7 3/16	10 1/2	6 7/8	11 1/8	6 7/8	20 13/16
	9-516	9-526	9-536	43 1/16 - 48	16 1/4	10 3/8	16 7/8	10 3/8	15 5/8	9 3/4	16 1/4	9 3/4	15	9 1/8	15 5/8	9 1/8	14 1/2	8 5/8	15 1/8	8 5/8	14 1/16	8 3/16	14 11/16	8 3/16	13 11/16	7 13/16	14 5/16	7 13/16	22 5/16

NOTE: A and B dimensions measured from centerline of pivot, not edge of door.

	Device Number			Degree	85°				90°				95°				100°				105°				110°				C
					H.O.		D.S.		H.O.		D.S.		H.O.		D.S.		H.O.		D.S.		H.O.		D.S.		H.O.		D.S.		
	Fric-tion	H.O.	Stop	Door Opening	A	B	A	B	A	B	A	B	A	B	A	B	A	B	A	B	A	B	A	B	A	B	A	B	
1 3/4 - 2 1/4 Center Hung	9-116	9-126	9-136	25 1/2 - 30	5 1/16	5 9/16	5 11/16	5 9/16	4 3/4	5 1/4	5 3/8	5 1/4	4 7/16	4 15/16	5 1/16	4 15/16	3 4/16	4 11/16	4 13/16	4 11/16	3 15/16	4 7/16	4 9/16	4 7/16	3 11/16	4 3/16	4 5/16	4 3/16	15 15/16
	9-216	9-226	9-236	30 1/16 - 36	6 7/8	6 1/2	7 1/2	6 1/2	6 1/2	6 1/8	7 1/8	6 1/8	6 1/8	5 3/4	6 3/4	5 3/4	5 13/16	5 7/16	6 7/16	5 7/16	5 9/16	5 3/16	3 3/16	3 3/16	5 5/16	4 15/16	5 15/16	4 15/16	17 1/16
	9-316	9-326	9-336	36 1/16 - 41	10 1/2	8	11 1/8	8	10	7 1/2	10 5/8	7 1/2	9 9/16	7 1/16	10 3/16	7 1/16	9 3/16	6 11/16	9 13/16	6 11/16	8 7/8	6 3/8	9 1/2	6 3/8	8 9/16	6 1/16	9 3/16	6 1/16	18 11/16
	9-416	9-426	9-436	41 1/16 - 46	13 3/8	9 3/4	14	9 3/4	12 13/16	9 3/16	13 7/16	9 3/16	12 5/16	8 11/16	12 15/16	8 11/16	11 13/16	8 3/16	12 7/16	8 3/16	11 7/16	7 13/16	12 1/16	7 13/16	11 1/8	7 1/2	11 3/4	7 1/2	20 13/16
	9-516	9-526	9-536	46 1/16 - 50	17 1/16	11 3/16	17 11/16	11 3/16	16 3/8	10 1/2	17	10 1/2	15 3/4	9 7/8	16 3/8	9 7/8	15 1/4	9 3/8	15 7/8	9 3/8	14 3/4	8 7/8	15 3/8	7 7/8	14 3/8	8 1/2	15	8 1/2	22 5/16

**No. 9 Series  
Surface Mounted  
Door Stops and Holders**

**RIXSON®**  
**ASSA ABLOY**

www.rixson.com

TEMPLATE NUMBER

**OH80060B**

DATE

**05-09**