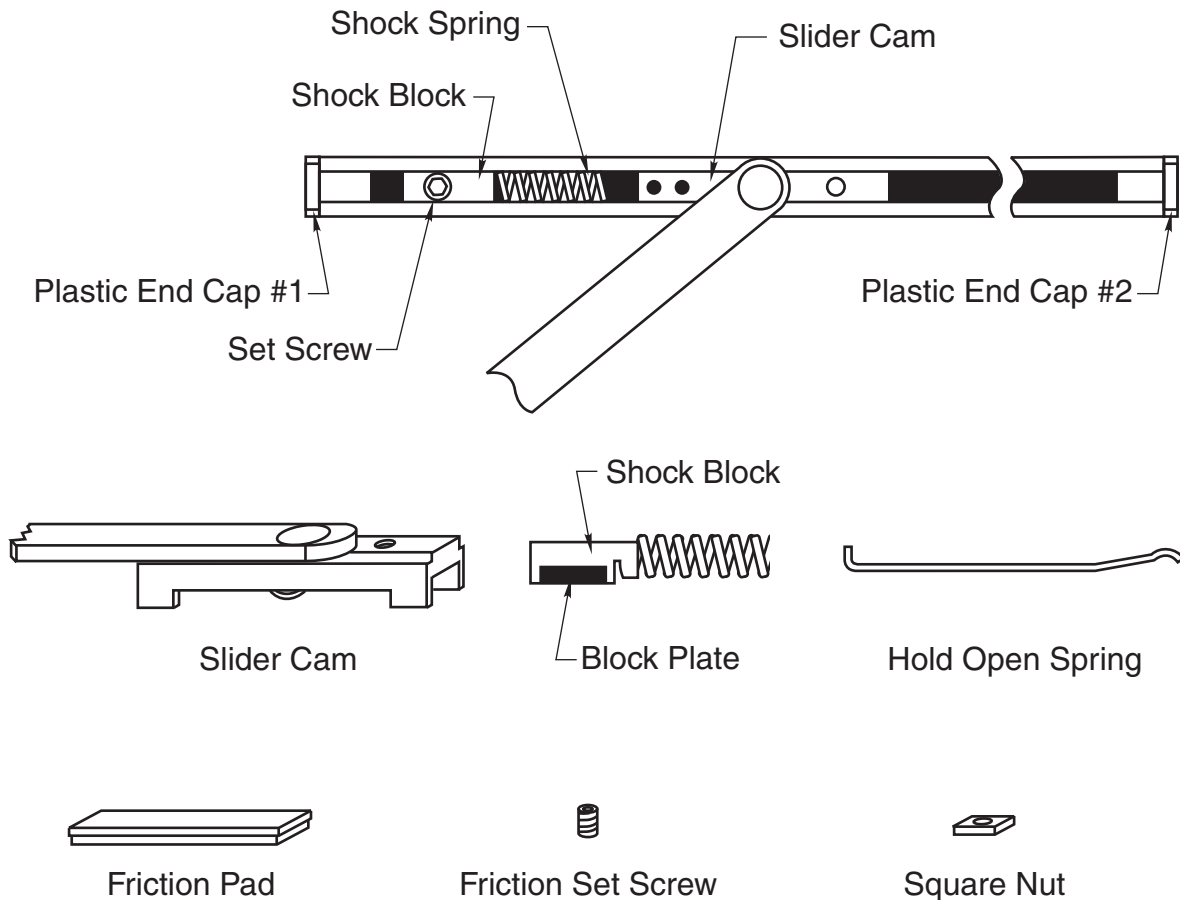


# Standard Duty Multi-Function Installation Instructions

After installing Checkmate® on door and frame, select the function desired and proceed.  
**All units are shipped as stops.**



## TO SELECT DEGREE OF STOP

1. With a 3/16" hex key wrench, loosen the set screw in the shock block.
2. Open door to desired degree of opening.
3. Slide shock block and spring until the spring touches slider cam.
4. Tighten set screw.
5. Verify door opening position and re-adjust, as needed.

**Standard Duty Multi-Function**

**RIXSON®**  
**ASSA ABLOY**

www.rixson.com

TEMPLATE NUMBER

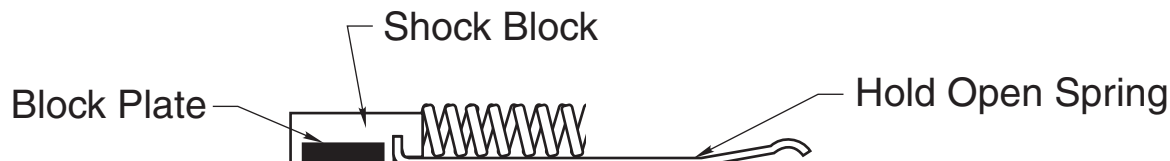
**IS-5012**

DATE

**07-16**

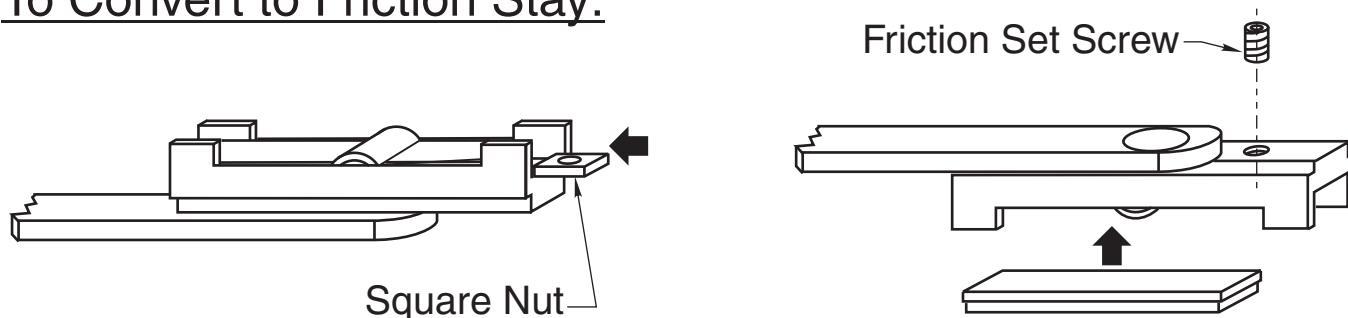
# WARNING: THESE FUNCTIONS CANNOT BE USED ON LABELED OPENINGS!

## To Convert to Hold Open:



1. Follow instructions for **selecting degree of stop.**
2. With pencil, mark the position of the shock block, on the channel.
3. Remove the plastic end cap at the spring end of the channel. (1)
4. With a 3/16" hex key wrench, loosen the set screw in shock block.
5. Remove shock block and block pate from channel.
6. Insert the hold open spring into the slot of the shock block.
7. Replace the shock block, block pate and hold open spring into channel.
8. Be sure the shock plate assembly is poistioned as shown.
9. Replace the plastic end cap.
10. Slide shock block until it lines up with mark you made on the channel.
11. Tighten set screw of shock block.

## To Convert to Friction Stay:



1. Follow instructions for **selecting degree of stop.**
2. Remove plastic end cap, farthest away from the spring (2).
3. Slide arm and slider cam out of the channel.
4. Turn slider cam over.
5. Insert the tip of a small screw driver under the round area of the spring.
6. Twist slightly, raising the unsecured end of the spring.
7. Slide square nut completely under end of spring. (Nut will drop into cavity in slider cam.)
8. Turn slider cam and arm over, insert friction set screw into hole on top of slider cam.
9. Turn the set screw one revolution to start threading it into the square nut.
10. Place friction pad in recess in slider cam. (Metal side of friction pad closest to slider cam).
11. Insert the slider cam and friction pad in the channel. (End with 2 rivets are toward the spring)
12. Replace the plastic end cap.
13. Adjust the set screw to the desired tension.

**Standard Duty Multi-Function**

**RIXSON**  
**ASSA ABLOY**

www.rixson.com

TEMPLATE NUMBER

**IS-5012**

DATE

**07-16**